

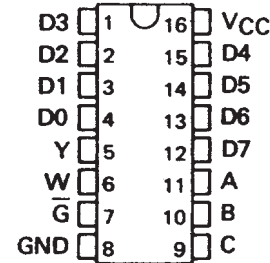
SN54251, SN54LS251 SN54S251, SN74251, SN74LS251, (TIM9905), SN74S251 DATA SELECTORS/MULTIPLEXERS WITH 3-STATE OUTPUTS

SDLS085 - DECEMBER 1972 - REVISED MARCH 1988

- Three-State Versions of '151, 'LS151, 'S151
- Three-State Outputs Interface Directly with System Bus
- Perform Parallel-to-Serial Conversion
- Permit Multiplexing from N-lines to One Line
- Complementary Outputs Provide True and Inverted Data
- Fully Compatible with Most TTL Circuits

SN54251, SN54LS251, SN54S251 . . . J OR W PACKAGE
SN74251 . . . N PACKAGE
SN74LS251, SN74S251 . . . D OR N PACKAGE

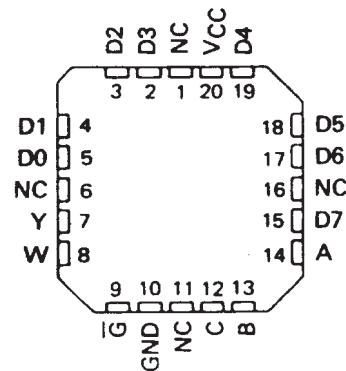
(TOP VIEW)



| TYPE | MAX NO. OF COMMON OUTPUTS | TYPICAL AVG PROP DELAY TIME (D TO Y) | TYPICAL POWER DISSIPATION |
|-----------|---------------------------|--------------------------------------|---------------------------|
| SN54251 | 49 | 17 ns | 250 mW |
| SN74251 | 129 | 17 ns | 250 mW |
| SN54LS251 | 49 | 17 ns | 35 mW |
| SN74LS251 | 129 | 17 ns | 35 mW |
| SN54S251 | 39 | 8 ns | 275 mW |
| SN74S251 | 129 | 8 ns | 275 mW |

SN54LS251, SN54S251 . . . FK PACKAGE

(TOP VIEW)



NC - No internal connection

description

These monolithic data selectors/multiplexers contain full on-chip binary decoding to select one-of-eight data sources and feature a strobe-controlled three-state output. The strobe must be at a low logic level to enable these devices. The three-state outputs permit a number of outputs to be connected to a common bus. When the strobe input is high, both outputs are in a high-impedance state in which both the upper and lower transistors of each totem-pole output are off, and the output neither drives nor loads the bus significantly. When the strobe is low, the outputs are activated and operate as standard TTL totem-pole outputs.

To minimize the possibility that two outputs will attempt to take a common bus to opposite logic levels, the output control circuitry is designed so that the average output disable time is shorter than the average output enable time. The SN54251 and SN74251 have output clamp diodes to attenuate reflections on the bus line.

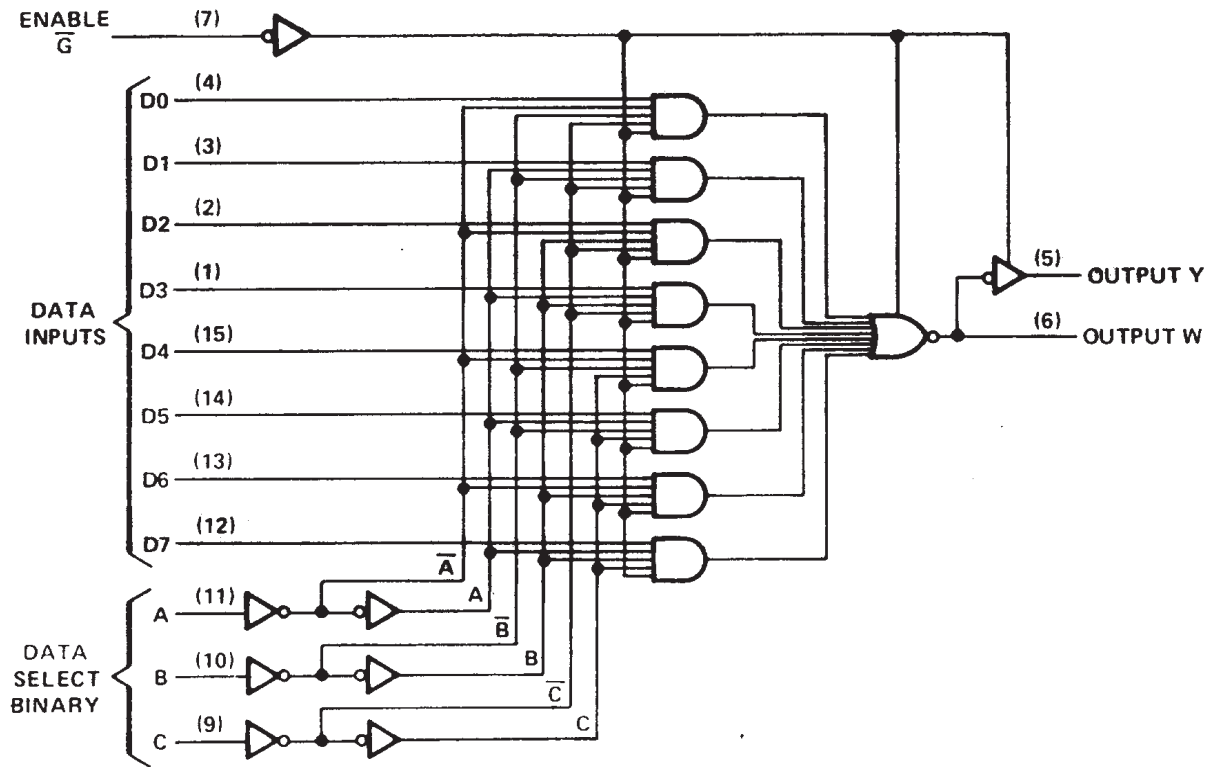
FUNCTION TABLE

| INPUTS | | | | OUTPUTS | |
|--------|---|---|-----------|---------|------------|
| SELECT | | | ENABLE | Y | W |
| C | B | A | \bar{G} | | |
| X | X | X | H | Z | Z |
| L | L | L | L | D0 | $\bar{D0}$ |
| L | L | H | L | D1 | $\bar{D1}$ |
| L | H | L | L | D2 | $\bar{D2}$ |
| L | H | H | L | D3 | $\bar{D3}$ |
| H | L | L | L | D4 | $\bar{D4}$ |
| H | L | H | L | D5 | $\bar{D5}$ |
| H | H | L | L | D6 | $\bar{D6}$ |
| H | H | H | L | D7 | $\bar{D7}$ |

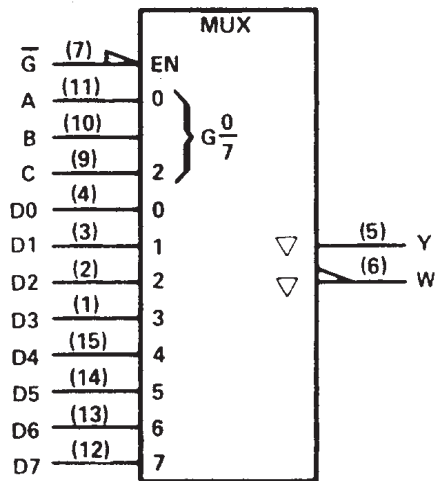
H = high logic level, L = low logic level
X = irrelevant, Z = high impedance (off)
D0, D1 . . . D7 = the level of the respective D input

SN54251, SN54LS251 SN54S251,
 SN74251, SN74LS251, (TIM9905), SN74S251
DATA SELECTORS/MULTIPLEXERS WITH 3-STATE OUTPUTS
 SDLS085 – DECEMBER 1972 – REVISED MARCH 1988

logic diagram (positive logic)



logic symbol†



†This symbol is in accordance with ANSI/IEEE Std. 91-1984 and IEC Publication 617-12. Pin numbers shown are for D, J, N, and W packages.

SN54251 SN74251, DATA SELECTORS/MULTIPLEXERS WITH 3-STATE OUTPUTS

SDLS085 – DECEMBER 1972 – REVISED MARCH 1988

absolute maximum ratings over operating free-air temperature range (unless otherwise noted)

| | |
|---|----------------|
| Supply voltage, V_{CC} (see Note 1) | 7 V |
| Input voltage | 5.5 V |
| Off-state output voltage | 5.5 V |
| Operating free-air temperature range: SN54251 | –55°C to 125°C |
| SN74251 | 0°C to 70°C |
| Storage temperature range | –65°C to 150°C |

NOTE 1: Voltage values are with respect to network ground terminal.

recommended operating conditions

| | SN54251 | | | SN74251 | | | UNIT |
|---------------------------------------|---------|-----|-----|---------|-----|------|------|
| | MIN | NOM | MAX | MIN | NOM | MAX | |
| Supply voltage, V_{CC} | 4.5 | 5 | 5.5 | 4.75 | 5 | 5.25 | V |
| High-level output current, I_{OH} | | | –2 | | | –5.2 | mA |
| Low-level output current, I_{OL} | | | 16 | | | 16 | mA |
| Operating free-air temperature, T_A | –55 | | 125 | 0 | | 70 | °C |

electrical characteristics over recommended operating free-air temperature range (unless otherwise noted)

| PARAMETER | | TEST CONDITIONS† | MIN | TYP‡ | MAX | UNIT |
|-----------|---|---|------------------------|------|----------------|---------------|
| V_{IH} | High-level input voltage | | 2 | | | V |
| V_{IL} | Low-level input voltage | | | | 0.8 | V |
| V_{IK} | Input clamp voltage | $V_{CC} = \text{MIN}, I_I = -12 \text{ mA}$ | | | –1.5 | V |
| V_{OH} | High-level output voltage | $V_{CC} = \text{MIN}, V_{IH} = 2 \text{ V}, V_{IL} = 0.8 \text{ V}, I_{OH} = \text{MAX}$ | 2.4 | 3.2 | | V |
| V_{OL} | Low-level output voltage | $V_{CC} = \text{MIN}, V_{IH} = 2 \text{ V}, V_{IL} = 0.8 \text{ V}, I_{OL} = 16 \text{ mA}$ | | 0.2 | 0.4 | V |
| I_{OZ} | Off-state (high-impedance-state) output current | $V_{CC} = \text{MAX}, V_{IH} = 2 \text{ V}$ | $V_O = 2.4 \text{ V}$ | | 40 | μA |
| | | | $V_O = 0.4 \text{ V}$ | | –40 | |
| V_O | Output clamp voltage | $V_{CC} = \text{MAX}, V_{IH} = 4.5 \text{ V}$ | $I_O = -12 \text{ mA}$ | | –1.5 | V |
| | | | $I_O = 12 \text{ mA}$ | | $V_{CC} + 1.5$ | |
| I_I | Input current at maximum input voltage | $V_{CC} = \text{MAX}, V_I = 5.5 \text{ V}$ | | | 1 | mA |
| I_{IH} | High-level input current | $V_{CC} = \text{MAX}, V_I = 2.4 \text{ V}$ | | | 40 | μA |
| I_{IL} | Low-level input current | $V_{CC} = \text{MAX}, V_I = 0.4 \text{ V}$ | | | –1.6 | mA |
| I_{OS} | Short-circuit output current § | $V_{CC} = \text{MAX}$ | –18 | | –55 | mA |
| I_{CC} | Supply current | $V_{CC} = \text{MAX},$ All inputs at 4.5 V, All outputs open | | 38 | 62 | mA |

† For conditions shown as MIN or MAX, use the appropriate value specified under recommended operating conditions for the applicable type.

‡ All typical values are at $V_{CC} = 5 \text{ V}, T_A = 25^\circ\text{C}$.

§ Not more than one output should be shorted at a time.



SN54251 SN74251, DATA SELECTORS/MULTIPLEXERS WITH 3-STATE OUTPUTS

SDLS085 – DECEMBER 1972 – REVISED MARCH 1988

switching characteristics, $V_{CC} = 5\text{ V}$, $T_A = 25^\circ\text{C}$

| PARAMETER† | FROM (INPUT) | TO (OUTPUT) | TEST CONDITIONS | MIN | TYP | MAX | UNIT |
|------------|--------------------------|-------------|---|-----|-----|-----|------|
| t_{PLH} | A, B, or C (4 levels) | Y | $C_L = 50\text{ pF}$, $R_L = 400\ \Omega$, See Note 2 | 29 | 45 | ns | |
| t_{PHL} | | | | 28 | 45 | | |
| t_{PLH} | A, B, or C (3 levels) | W | | 20 | 33 | ns | |
| t_{PHL} | | | | 21 | 33 | | |
| t_{PLH} | Any D | Y | | 17 | 28 | ns | |
| t_{PHL} | | | | 18 | 28 | | |
| t_{PLH} | Any D | W | | 10 | 15 | ns | |
| t_{PHL} | | | | 9 | 15 | | |
| t_{PZH} | \bar{G} | Y | | 17 | 27 | ns | |
| t_{PZL} | | | | 26 | 40 | | |
| t_{PZH} | \bar{G} | W | | 17 | 27 | ns | |
| t_{PZL} | | | | 24 | 40 | | |
| t_{PHZ} | \bar{G} | Y | $C_L = 5\text{ pF}$, $R_L = 400\ \Omega$, See Note 2 | 5 | 8 | ns | |
| t_{PLZ} | | | | 15 | 23 | | |
| t_{PHZ} | \bar{G} | W | | 5 | 8 | ns | |
| t_{PLZ} | | | | 15 | 23 | | |

† t_{PLH} = Propagation delay time, low-to-high-level output

t_{PHL} = Propagation delay time, high-to-low-level output

t_{PZH} = Output enable time to high level

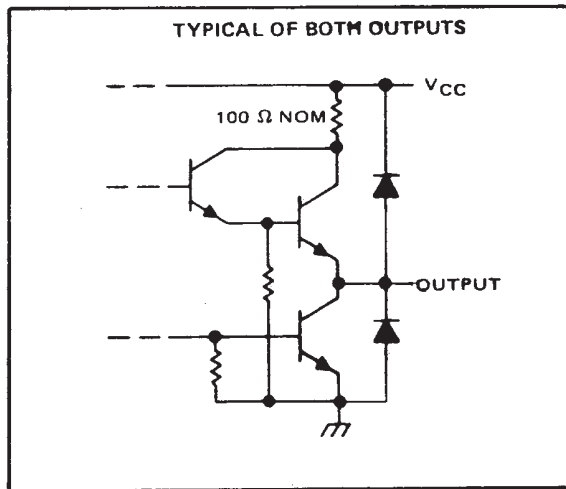
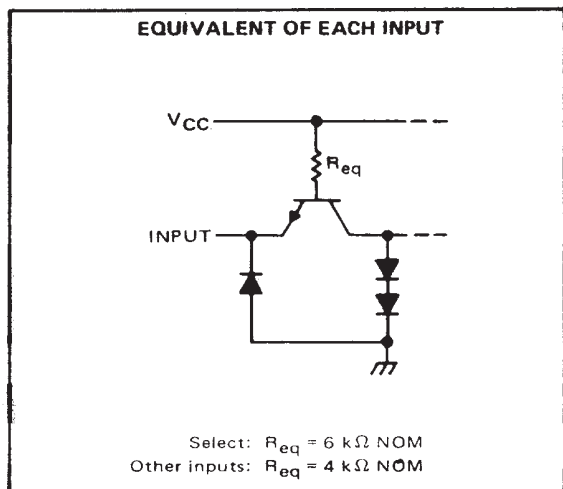
t_{PZL} = Output enable time to low level

t_{PHZ} = Output disable time from high level

t_{PLZ} = Output disable time from low level

NOTE 2: Load circuits and voltage waveforms are shown in Section 1.

schematics of inputs and outputs



SN54LS251 SN74LS251, DATA SELECTORS/MULTIPLEXERS WITH 3-STATE OUTPUTS

SDLS085 – DECEMBER 1972 – REVISED MARCH 1988

absolute maximum ratings over operating free-air temperature range (unless otherwise noted)

| | |
|---|----------------|
| Supply voltage, V_{CC} (see Note 1) | 7 V |
| Input voltage | 7 V |
| Off-state output voltage | 5.5 V |
| Operating free-air temperature range: SN54LS251 | 55°C to 125°C |
| SN74LS251 | 0°C to 70°C |
| Storage temperature range | -65°C to 150°C |

NOTE 1: Voltage values are with respect to network ground terminal.

recommended operating conditions

| | SN54LS251 | | | SN74LS251 | | | UNIT |
|--------------------------------------|-----------|-----|-----|-----------|-----|------|------|
| | MIN | NOM | MAX | MIN | NOM | MAX | |
| V_{CC} Supply voltage | 4.5 | 5 | 5.5 | 4.75 | 5 | 5.25 | V |
| V_{IH} High-level input voltage | 2 | | | 2 | | | V |
| V_{IL} Low-level input voltage | | | 0.7 | | | 0.8 | V |
| I_{OH} High-level output current | | | -1 | | | -2.6 | mA |
| I_{OL} Low-level output current | | | 4 | | | 8 | mA |
| T_A Operating free-air temperature | -55 | | 125 | 0 | | 70 | °C |

electrical characteristics over recommended operating free-air temperature range (unless otherwise noted)

| PARAMETER | TEST CONDITIONS† | SN54LS251 | | SN74LS251 | | UNIT | |
|-----------|---|-------------------------|-------|-----------|-----|------|---------------|
| | | MIN | TYP ‡ | MAX | MIN | | TYP ‡ |
| V_{IK} | $V_{CC} = \text{MIN}, I_I = -18 \text{ mA}$ | | | -1.5 | | -1.5 | V |
| V_{OH} | $V_{CC} = \text{MIN}, V_{IH} = 2 \text{ V}, V_{IL} = \text{MAX}, I_{OH} = \text{MAX}$ | 2.4 | 3.4 | | 2.4 | 3.1 | V |
| V_{OL} | $V_{CC} = \text{MIN}, V_{IH} = 2 \text{ V}, V_{IL} = \text{MAX}$ | $I_{OL} = 4 \text{ mA}$ | | 0.25 | 0.4 | 0.25 | 0.4 |
| | | $I_{OL} = 8 \text{ mA}$ | | | | 0.35 | 0.5 |
| I_{OZ} | $V_{CC} = \text{MAX}, V_{IH} = 2 \text{ V}$ | $V_O = 2.7 \text{ V}$ | | | | 20 | μA |
| | | $V_O = 0.4 \text{ V}$ | | | | -20 | |
| I_I | $V_{CC} = \text{MAX}, V_I = 7 \text{ V}$ | | | 0.1 | | 0.1 | mA |
| I_{IH} | $V_{CC} = \text{MAX}, V_I = 2.7 \text{ V}$ | | | 20 | | 20 | μA |
| I_{IL} | $V_{CC} = \text{MAX}, V_I = 0.4$ | Enable \bar{C} | | | | -0.2 | mA |
| | | All other | | | | -0.4 | |
| $I_{OS}§$ | $V_{CC} = \text{MAX}$ | | | -30 | | -130 | mA |
| I_{CC} | $V_{CC} = \text{MAX}, \text{ See Note 3}$ | Condition A | | 6.1 | 10 | 6.1 | 10 |
| | | Condition B | | 7.1 | 12 | 7.1 | 12 |

† For conditions shown as MIN or MAX, use the appropriate value specified under recommended operating conditions for the applicable type.

‡ All typical values are at $V_{CC} = 5 \text{ V}, T_A = 25^\circ\text{C}$.

§ Not more than one output should be shorted at a time, and duration of the short-circuit should not exceed one second.

NOTE 3: I_{CC} is measured with the outputs open and all data and select inputs at 4.5 V under the following conditions:

- A. Enable grounded.
- B. Strobe at 4.5 V.



SN54LS251 SN74LS251, (TIM9905), DATA SELECTORS/MULTIPLEXERS WITH 3-STATE OUTPUTS

SDLS085 – DECEMBER 1972 – REVISED MARCH 1988

switching characteristics, $V_{CC} = 5\text{ V}$, $T_A = 25^\circ\text{C}$

| PARAMETER† | FROM (INPUT) | TO (OUTPUT) | TEST CONDITIONS | MIN | TYP | MAX | UNIT | |
|------------|--------------------------|-------------|--|---|-----|-----|------|----|
| t_{PLH} | A, B, or C (4 levels) | Y | $C_L = 15\text{ pF}$, $R_L = 2\text{ k}\Omega$, See Note 2 | | 29 | 45 | ns | |
| t_{PHL} | | | | | 28 | 45 | | |
| t_{PLH} | A, B, or C (3 levels) | W | | | 20 | 33 | ns | |
| t_{PHL} | | | | | 21 | 33 | | |
| t_{PLH} | Any D | Y | | | 17 | 28 | ns | |
| t_{PHL} | | | | | 18 | 28 | | |
| t_{PLH} | Any D | W | | | 10 | 15 | ns | |
| t_{PHL} | | | | | 9 | 15 | | |
| t_{PZH} | \bar{G} | Y | | $C_L = 5\text{ pF}$, $R_L = 2\text{ k}\Omega$, See Note 2 | | 30 | 45 | ns |
| t_{PZL} | | | | | | 26 | 40 | |
| t_{PZH} | \bar{G} | W | | | 17 | 27 | ns | |
| t_{PZL} | | | | | 24 | 40 | | |
| t_{PHZ} | \bar{G} | Y | | | 30 | 45 | ns | |
| t_{PLZ} | | | | | 15 | 25 | | |
| t_{PHZ} | \bar{G} | W | | | 37 | 55 | ns | |
| t_{PLZ} | | | | | 15 | 25 | | |

† t_{PLH} = Propagation delay time, low-to-high-level output

t_{PHL} = Propagation delay time, high-to-low-level output

t_{PZH} = Output enable time to high level

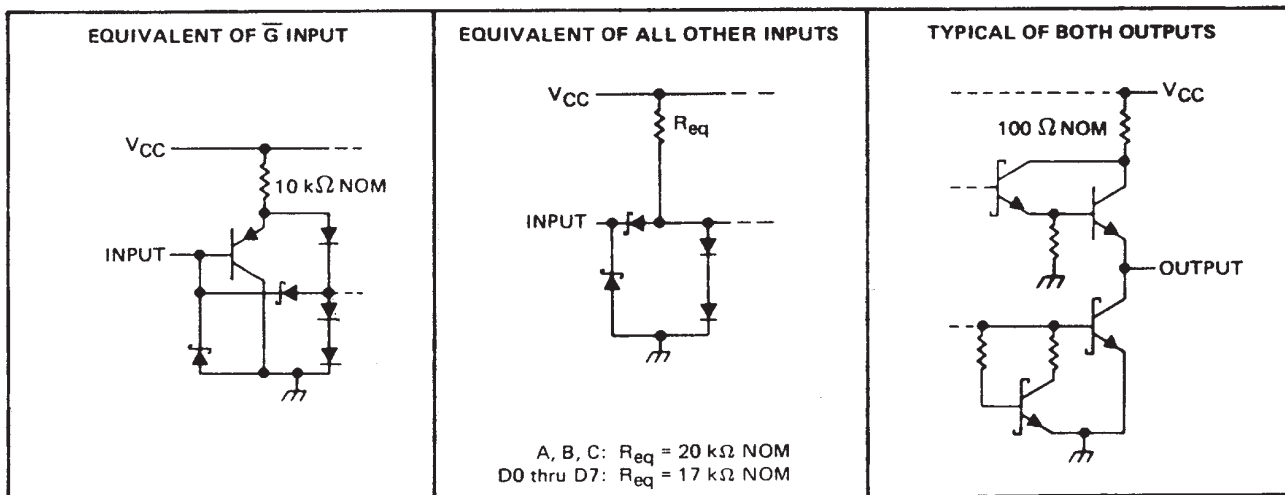
t_{PZL} = Output enable time to low level

t_{PHZ} = Output disable time from high level

t_{PLZ} = Output disable time from low level

NOTE 2: Load circuits and voltage waveforms are shown in Section 1.

schematics of inputs and outputs



SN54S251 SN74S251, DATA SELECTORS/MULTIPLEXERS WITH 3-STATE OUTPUTS

SDLS085 – DECEMBER 1972 – REVISED MARCH 1988

absolute maximum ratings over operating free-air temperature range (unless otherwise noted)

| | |
|--|----------------|
| Supply voltage, V_{CC} (see Note 1) | 7 V |
| Input voltage | 5.5 V |
| Off-state output voltage | 5.5 V |
| Operating free-air temperature range: SN54S251 | –55°C to 125°C |
| SN74S251 | 0°C to 70°C |
| Storage temperature range | –65°C to 150°C |

NOTE 1: Voltage values are with respect to network ground terminal.

recommended operating conditions

| | SN54S251 | | | SN74S251 | | | UNIT |
|---------------------------------------|----------|-----|-----|----------|-----|------|------|
| | MIN | NOM | MAX | MIN | NOM | MAX | |
| Supply voltage, V_{CC} | 4.5 | 5 | 5.5 | 4.75 | 5 | 5.25 | V |
| High-level output current, I_{OH} | | | –2 | | | –6.5 | mA |
| Low-level output current, I_{OL} | | | 20 | | | 20 | mA |
| Operating free-air temperature, T_A | –55 | | 125 | 0 | | 70 | °C |

electrical characteristics over recommended operating free-air temperature range (unless otherwise noted)

| PARAMETER | TEST CONDITIONS† | MIN | TYP‡ | MAX | UNIT |
|--|---|-----------------------|------|------|---------------|
| V_{IH} High-level input voltage | | 2 | | | V |
| V_{IL} Low-level input voltage | | | | 0.8 | V |
| V_{IK} Input clamp voltage | $V_{CC} = \text{MIN}, I_I = -18 \text{ mA}$ | | | –1.2 | V |
| V_{OH} High-level output voltage | $V_{CC} = \text{MIN}, V_{IH} = 2 \text{ V}, V_{IL} = 0.8 \text{ V}, I_{OH} = \text{MAX}$ | SN54S' | 2.4 | 3.4 | V |
| | | SN74S' | 2.4 | 3.2 | |
| V_{OL} Low-level output voltage | $V_{CC} = \text{MIN}, V_{IH} = 2 \text{ V}, V_{IL} = 0.8 \text{ V}, I_{OL} = 20 \text{ mA}$ | | | 0.5 | V |
| I_{OZ} Off-state (high-impedance-state) output current | $V_{CC} = \text{MAX}, V_{IH} = 2 \text{ V}$ | $V_O = 2.4 \text{ V}$ | | 50 | μA |
| | | $V_O = 0.5 \text{ V}$ | | –50 | |
| I_I Input current at maximum input voltage | $V_{CC} = \text{MAX}, V_I = 5.5 \text{ V}$ | | | 1 | mA |
| I_{IH} High-level input current | $V_{CC} = \text{MAX}, V_I = 2.7 \text{ V}$ | | | 50 | μA |
| I_{IL} Low-level input current | $V_{CC} = \text{MAX}, V_I = 0.5 \text{ V}$ | | | –2 | mA |
| I_{OS} Short-circuit output current § | $V_{CC} = \text{MAX}$ | –40 | | –100 | mA |
| I_{CC} Supply current | $V_{CC} = \text{MAX},$ All inputs at 4.5 V, All outputs open | | 55 | 85 | mA |

† For conditions shown as MIN or MAX, use the appropriate value specified under recommended operating conditions for the applicable type.

‡ All typical values are at $V_{CC} = 5 \text{ V}, T_A = 25^\circ\text{C}$.

§ Not more than one output should be shorted at a time, and duration of the short-circuit should not exceed one second.



SN54S251 SN74S251, DATA SELECTORS/MULTIPLEXERS WITH 3-STATE OUTPUTS

SDLS085 – DECEMBER 1972 – REVISED MARCH 1988

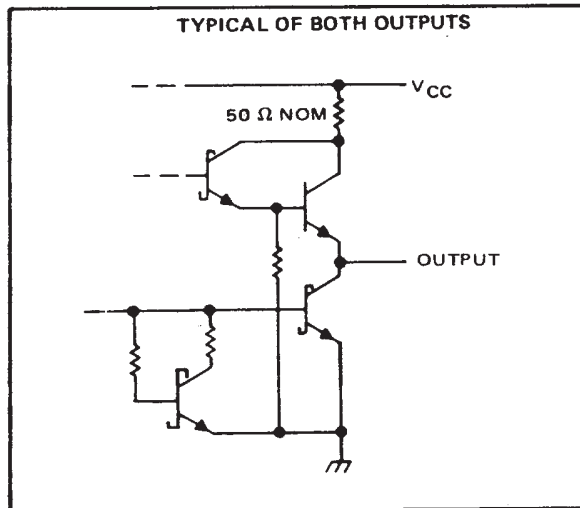
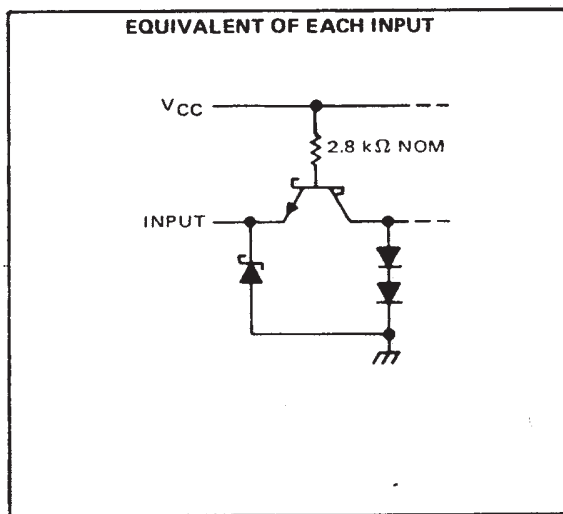
switching characteristics, $V_{CC} = 5\text{ V}$, $T_A = 25^\circ\text{C}$

| PARAMETER† | FROM (INPUT) | TO (OUTPUT) | TEST CONDITIONS | MIN | TYP | MAX | UNIT |
|------------|--------------------------|-------------|---|--|------|-----|------|
| t_{PLH} | A, B, or C (4 levels) | Y | $C_L = 15\text{ pF}$, $R_L = 280\ \Omega$, See Note 2 | 12 | 18 | ns | |
| t_{PHL} | | | | 13 | 19.5 | | |
| t_{PLH} | A, B, or C (3 levels) | W | | 10 | 15 | ns | |
| t_{PHL} | | | | 9 | 13.5 | | |
| t_{PLH} | Any D | Y | | 8 | 12 | ns | |
| t_{PHL} | | | | 8 | 12 | | |
| t_{PLH} | Any D | W | | 4.5 | 7 | ns | |
| t_{PHL} | | | | 4.5 | 7 | | |
| t_{PZH} | \bar{G} | Y | $C_L = 50\text{ pF}$, $R_L = 280\ \Omega$, See Note 2 | 13 | 19.5 | ns | |
| t_{PZL} | | | | 14 | 21 | | |
| t_{PZH} | \bar{G} | W | | 13 | 19.5 | ns | |
| t_{PZL} | | | | 14 | 21 | | |
| t_{PHZ} | \bar{G} | Y | | $C_L = 5\text{ pF}$, $R_L = 280\ \Omega$, See Note 2 | 5.5 | 8.5 | ns |
| t_{PLZ} | | | | | 9 | 14 | |
| t_{PHZ} | \bar{G} | W | 5.5 | | 8.5 | ns | |
| t_{PLZ} | | | 9 | | 14 | | |

- † t_{PLH} = Propagation delay time, low-to-high-level output
- t_{PHL} = Propagation delay time, high-to-low-level output
- t_{PZH} = Output enable time to high level
- t_{PZL} = Output enable time to low level
- t_{PHZ} = Output disable time from high level
- t_{PLZ} = Output disable time from low level

NOTE 2: Load circuits and voltage waveforms are shown in Section 1.

schematics of inputs and outputs



IMPORTANT NOTICE

Texas Instruments and its subsidiaries (TI) reserve the right to make changes to their products or to discontinue any product or service without notice, and advise customers to obtain the latest version of relevant information to verify, before placing orders, that information being relied on is current and complete. All products are sold subject to the terms and conditions of sale supplied at the time of order acknowledgement, including those pertaining to warranty, patent infringement, and limitation of liability.

TI warrants performance of its semiconductor products to the specifications applicable at the time of sale in accordance with TI's standard warranty. Testing and other quality control techniques are utilized to the extent TI deems necessary to support this warranty. Specific testing of all parameters of each device is not necessarily performed, except those mandated by government requirements.

CERTAIN APPLICATIONS USING SEMICONDUCTOR PRODUCTS MAY INVOLVE POTENTIAL RISKS OF DEATH, PERSONAL INJURY, OR SEVERE PROPERTY OR ENVIRONMENTAL DAMAGE ("CRITICAL APPLICATIONS"). TI SEMICONDUCTOR PRODUCTS ARE NOT DESIGNED, AUTHORIZED, OR WARRANTED TO BE SUITABLE FOR USE IN LIFE-SUPPORT DEVICES OR SYSTEMS OR OTHER CRITICAL APPLICATIONS. INCLUSION OF TI PRODUCTS IN SUCH APPLICATIONS IS UNDERSTOOD TO BE FULLY AT THE CUSTOMER'S RISK.

In order to minimize risks associated with the customer's applications, adequate design and operating safeguards must be provided by the customer to minimize inherent or procedural hazards.

TI assumes no liability for applications assistance or customer product design. TI does not warrant or represent that any license, either express or implied, is granted under any patent right, copyright, mask work right, or other intellectual property right of TI covering or relating to any combination, machine, or process in which such semiconductor products or services might be or are used. TI's publication of information regarding any third party's products or services does not constitute TI's approval, warranty or endorsement thereof.