

ZW1R5



TRCELECTRONICS, INC.

"Authorized Distributor"

135 Pasadena Ave.

Lodi, NJ 07644 USA

Tel: (973) 779-8282

Fax: (973) 779-1490

sales@trcelectronics.com

http://www.trcelectronics.com

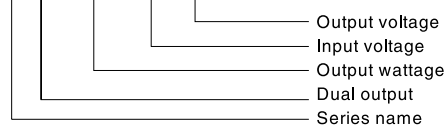
Contact TRC for pricing,
availability, and technical
assistance.

Z Series DC- DC converter designed
for small size and high reliability

- Isolated between input- output
- Built- in overcurrent protection circuit
- Small and compact size
- Five- year warranty

ORDERING INFORMATION

ZW1R50512



SPECIFICATIONS

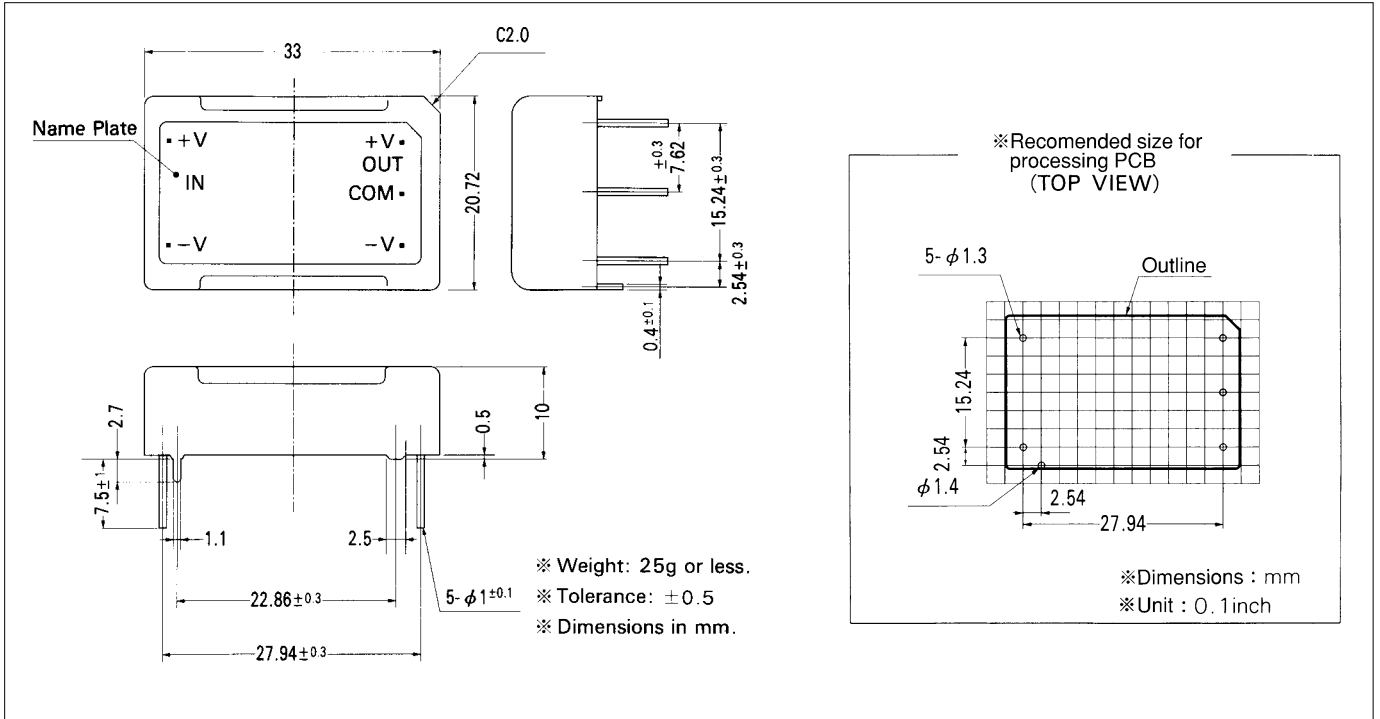
Output pins can be connected in series to make a 24V/ 30V output.

MODEL		ZW1R50512	ZW1R50515	ZW1R51212	ZW1R51215	ZW1R52412	ZW1R52415	ZW1R54812	ZW1R54815
INPUT	VOLTAGE [V]	5 (4.5~6.0)		12 (10~15)		24 (20~30)		48 (35~63)	
	EFFICIENCY [%]	60 typ		65 typ		65 typ		65 typ	
OUTPUT	VOLTAGE [V]	±12(+24)	±15(+30)	±12(+24)	±15(+30)	±12(+24)	±15(+30)	±12(+24)	±15(+30)
	CURRENT [A]	0.06	0.05	0.06	0.05	0.06	0.05	0.06	0.05
	LINE REGULATION [mV]	60max	75max	60max	75max	60max	75max	60max	75max
	LOAD REGULATION [mV]	600max	750max	600max	750max	600max	750max	600max	750max
	RIPPLE [mVp-p]	120max		120max		120max		120max	
	RIPPLE NOISE [mVp-p]	120max		120max		120max		120max	
	TEMPERATURE COEFFICIENT [mV] 0~+50°C	120max	150max	120max	150max	120max	150max	120max	150max
OUTPUT VOLTAGE SET (FIXED) [%]	±5 max (Rated input/ output, Ta=25 ^a)								
PROTECTION CIRCUIT	OVERCURRENT PROTECTION	Works over 105% of rating and recovers automatically							
ISOLATION	INPUT, OUTPUT, CASE	AC500V, 1 minute, Cutoff current=10mA, DC500V, 50M? min. (At Room Temperature)							
ENVIRONMENT	OPERATING TEMP. AND HUMID.	- 10~+ 60 ^a ,20~90%RH(Non condensing) (Refer to DERATING CURVE)							
	STORAGE TEMP. AND HUMID.	- 20~+ 75 ^a ,20~90%RH(Non condensing)							
	VIBRATION	10~55Hz, 2G, 3 minutes period, 30 minutes along X, Y and Z axis							
	IMPACT	50G, 11 ms,once on each X,Y and Z axis							

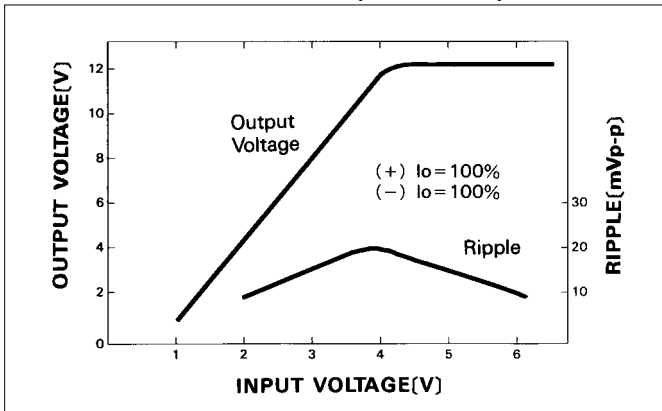
^a The output specification is at ±12V and ±15V.
[†] Parallel operation with other model is not possible.

MODEL	ZW1R5	ZW1R5
	0512 1212 2412 4812	0515 1215 2415 4815
MAX OUTPUT WATTAGE	1.44 W	1.50 W
DC OUTPUT VOLTAGE	± 12V (+ 24V)	± 15V (+ 30V)
DC OUTPUT CURRENT	0.06 A	0.05 A

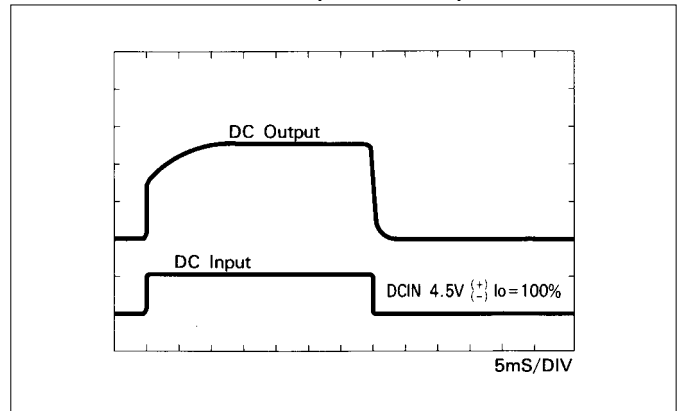
EXTERNAL VIEW



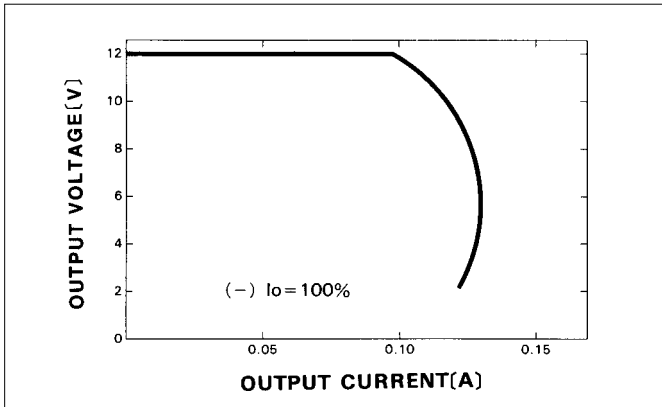
STATIC CHARACTERISTICS (ZW1R50512)



RISE TIME & FALL TIME (ZW1R50512)



OVERCURRENT CHARACTERISTICS (ZW1R50512)



DERATING CURVE

