

## Features

- Low profile
- Rugged design
- Vertical or horizontal entry
- Tape & reel packaging available
- RoHS compliant\* - see [processing information](#) on lead free modular contacts

## 70AD/Male - Modular Contact

### Materials & Finishes

Insulator.....Glass reinforced thermoplastic, UL 94V-0 rated, black  
 Contact.....Copper alloy  
 Finish  
 Underplating .....30 μ" - 60 μ" nickel  
 Contact Area.....30 μ" Au over Ni  
 Termination .....Tin alloy (meets MIL-STD-202, method 208)

### Operating Characteristics

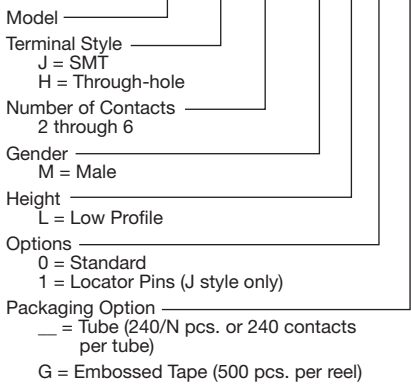
**Electrical**  
 Current Rating.....DC 3 A/contact  
 Voltage Rating.....DC 30 V  
 Contact Resistance .....25 mW max.  
 Dielectric Voltage.....AC 500 V  
 Insulating Resistance.....500 MW min.  
 Operating Temperature  
 .....-55 °C to 125 °C

**Mechanical**  
 Vibration.....10-55 Hz, 0.06 inches D.A.  
 Shock.....50 G, 11 ms  
 Normal Force .....100 grams min. at a working height of 0.51 mm (0.020 in.)  
 Durability.....5,000 cycles

Patent No. 5,378,160.

### How to Order

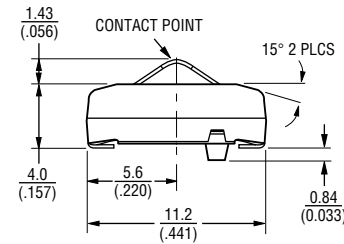
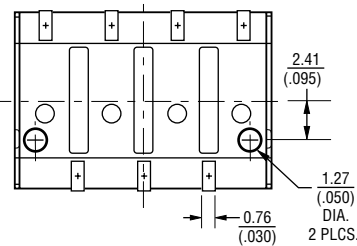
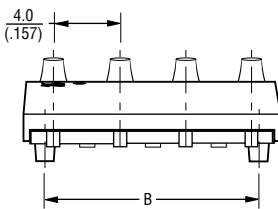
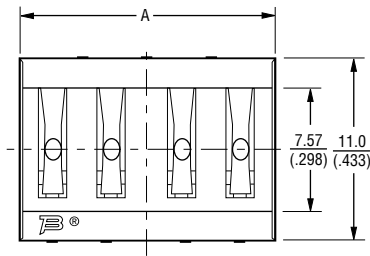
**70AD J - 3 - M L 0 G**



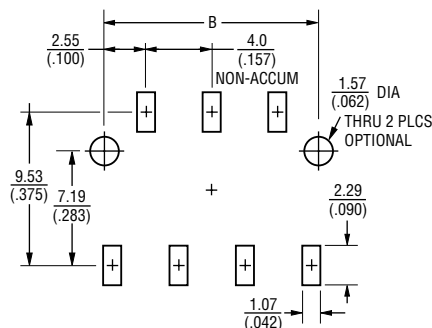
Number of Contacts	Dimension A	Dimension B
2	7.7 (.303)	5.11 (.201)
3	11.7 (.461)	9.11 (.359)
4	15.7 (.618)	13.11 (.516)
5	19.7 (.776)	17.11 (.674)
6	23.7 (.933)	21.11 (.831)

### Product Dimensions

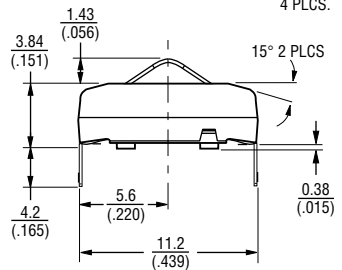
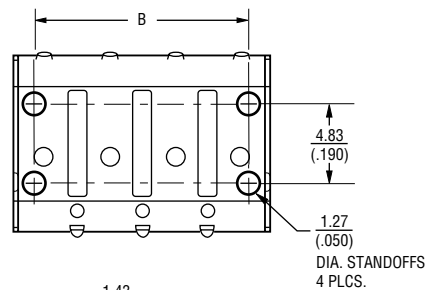
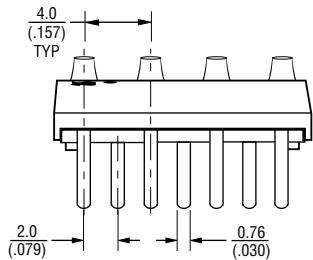
70ADJ



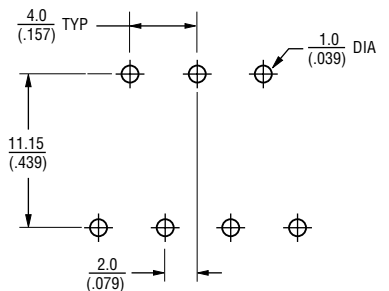
RECOMMENDED PWB MOUNTING PATTERN



70ADH



RECOMMENDED PWB PCB HOLE PATTERN



TOLERANCES: .03  
(.012) UNLESS OTHERWISE NOTED

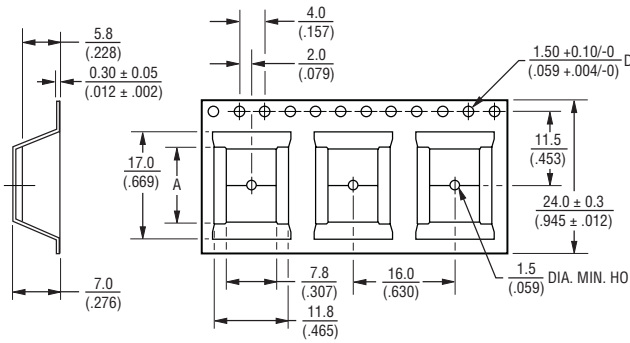
DIMENSIONS: MM  
(INCHES)

\*RoHS Directive 2002/95/EC Jan 27 2003 including Annex. Specifications are subject to change without notice. Customers should verify actual device performance in their specific applications.

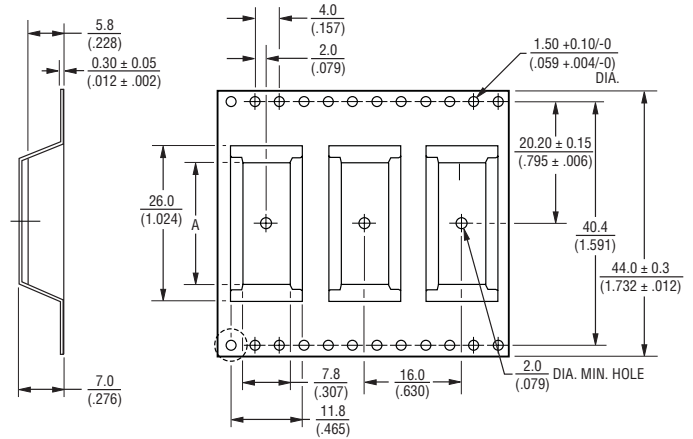
# 70AD/Male - Modular Contact

**BOURNS®**

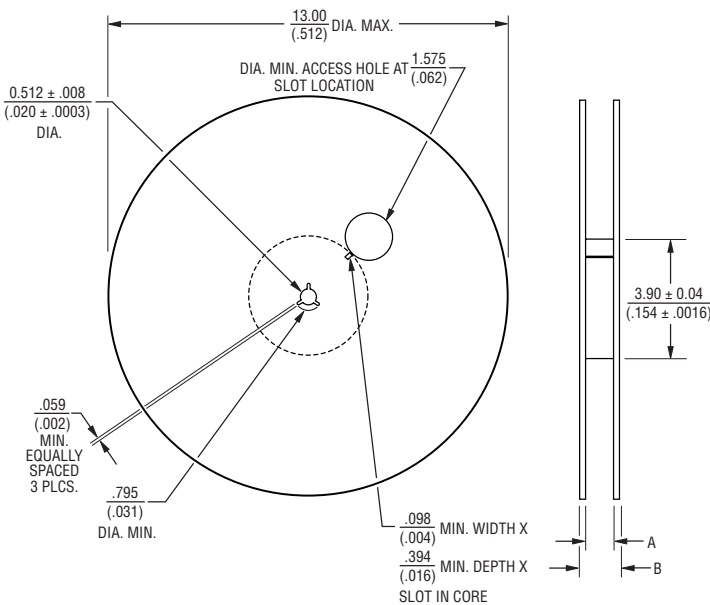
## Packaging Specifications



No. of Contacts	Dimension A
2	$\frac{7.4}{(.291)}$
3	$\frac{11.7}{(.461)}$
4	$\frac{16.7}{(.657)}$



No. of Contacts	Dimension A
5	$\frac{18.87}{(.743)}$
6	$\frac{25.70}{(1.012)}$



No. of Contacts	Dimension A	Dimension B
2	$\frac{.961}{(.038)}$	$\frac{1.197}{(.047)}$
3	$\frac{.961}{(.038)}$	$\frac{1.197}{(.047)}$
4	$\frac{.961}{(.038)}$	$\frac{1.197}{(.047)}$
5	$\frac{1.765}{(.069)}$	$\frac{1.98}{(.078)}$
6	$\frac{1.765}{(.069)}$	$\frac{1.98}{(.078)}$

DIMENSIONS:  $\frac{\text{MM}}{\text{(INCHES)}}$