

**Monolithic Quad SPST, CMOS Analog Switches**

The DG411 series monolithic CMOS analog switches are drop-in replacements for the popular DG211 and DG212 series devices. They include four independent single pole throw (SPST) analog switches, and TTL and CMOS compatible digital inputs.

These switches feature lower analog ON resistance (<35Ω) and faster switch time ( $t_{ON} < 175ns$ ) compared to the DG211 or DG212. Charge injection has been reduced, simplifying sample and hold applications.

The improvements in the DG411 series are made possible by using a high voltage silicon-gate process. An epitaxial layer prevents the latch-up associated with older CMOS technologies. The 44V maximum voltage range permits controlling 40V<sub>p-p</sub> signals. Power supplies may be single-ended from +5V to +34V, or split from ±5V to ±20V.

The four switches are bilateral, equally matched for AC or bidirectional signals. The ON resistance variation with analog signals is quite low over a ±15V analog input range. The switches in the DG411 and DG412 are identical, differing only in the polarity of the selection logic. Two of the switches in the DG413 (#1 and #4) use the logic of the DG211 and DG411 (i.e., a logic "0" turns the switch ON) and the other two switches use DG212 and DG412 positive logic. This permits independent control of turn-on and turn-off times for SPDT configurations, permitting "break-before-make" or "make-before-break" operation with a minimum of external logic.

**TRUTH TABLE**

LOGIC	DG411	DG412	DG413	
	SWITCH	SWITCH	SWITCH 1, 4	SWITCH 2, 3
0	ON	OFF	OFF	ON
1	OFF	ON	ON	OFF

NOTE: Logic "0" ≤0.8V. Logic "1" ≥2.4V.

**Features**

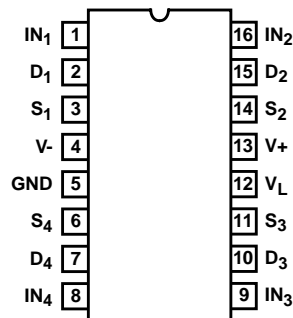
- ON Resistance (Max) . . . . . 35Ω
- Low Power Consumption (P<sub>D</sub>) . . . . . <35μW
- Fast Switching Action
  - $t_{ON}$  (Max) . . . . . 175ns
  - $t_{OFF}$  (Max) . . . . . 145ns
- Low Charge Injection
- Upgrade from DG211/DG212
- TTL, CMOS Compatible
- Single or Split Supply Operation

**Applications**

- Audio Switching
- Battery Operated Systems
- Data Acquisition
- Hi-Rel Systems
- Sample and Hold Circuits
- Communication Systems
- Automatic Test Equipment

**Pinout**

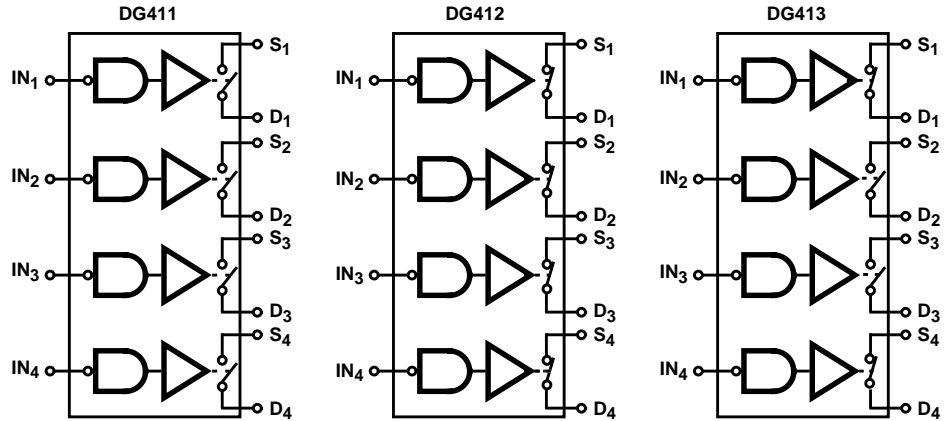
**DG411, DG412, DG413  
(PDIP, SOIC)  
TOP VIEW**



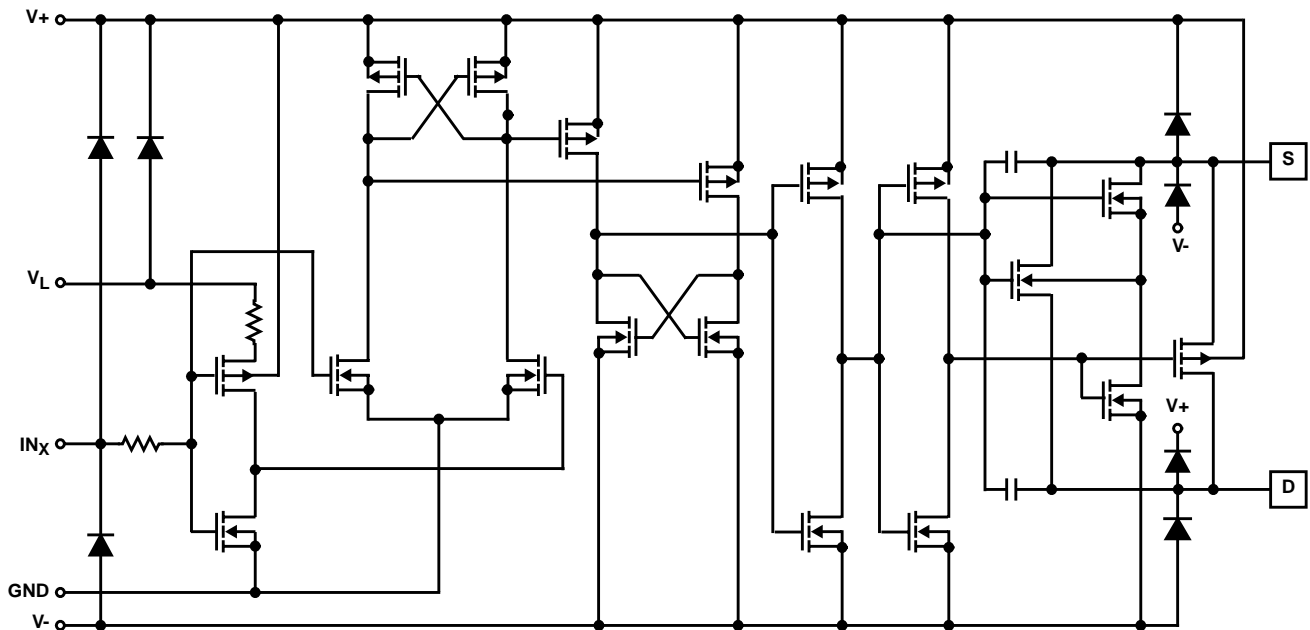
**Ordering Information**

PART NUMBER	TEMP. RANGE (°C)	PACKAGE	PKG. NO.
DG411DJ	-40 to 85	16 Ld PDIP	E16.3
DG411DY	-40 to 85	16 Ld SOIC	M16.15
DG412DJ	-40 to 85	16 Ld PDIP	E16.3
DG412DY	-40 to 85	16 Ld SOIC	M16.15
DG413DJ	-40 to 85	16 Ld PDIP	E16.3
DG413DY	-40 to 85	16 Ld SOIC	M16.15

**Functional Diagrams** Four SPST Switches per Package Switches Shown for Logic "1" Input



**Schematic Diagram** (1 Channel)



**Pin Descriptions**

PIN	SYMBOL	DESCRIPTION
1	IN <sub>1</sub>	Logic Control for Switch 1.
2	D <sub>1</sub>	Drain (Output) Terminal for Switch 1.
3	S <sub>1</sub>	Source (Input) Terminal for Switch 1.
4	V-	Negative Power Supply Terminal.
5	GND	Ground Terminal (Logic Common).
6	S <sub>4</sub>	Source (Input) Terminal for Switch 4.
7	D <sub>4</sub>	Drain (Output) Terminal for Switch 4.
8	IN <sub>4</sub>	Logic Control for Switch 4.
9	IN <sub>3</sub>	Logic Control for Switch 3.
10	D <sub>3</sub>	Drain (Output) Terminal for Switch 3.
11	S <sub>3</sub>	Source (Input) Terminal for Switch 3.
12	V <sub>L</sub>	Logic Reference Voltage.
13	V+	Positive Power Supply Terminal (Substrate).
14	S <sub>2</sub>	Source (Input) Terminal for Switch 2.
15	D <sub>2</sub>	Drain (Output) Terminal for Switch 2.
16	IN <sub>2</sub>	Logic Control for Switch 2.

# DG411, DG412, DG413

## Absolute Maximum Ratings

V+ to V-	44V
GND to V-	25V
V <sub>L</sub>	(GND -0.3V) to (V+) +0.3V
Digital Inputs, V <sub>S</sub> , V <sub>D</sub> (Note 1)	(V-) -2V to (V+) + 2V or 30mA, Whichever Occurs First
Continuous Current (Any Terminal)	30mA
Peak Current, S or D (Pulsed 1ms, 10% Duty Cycle Max)	100mA

## Thermal Information

Thermal Resistance (Typical, Note 2)	$\theta_{JA}$ (°C/W)
PDIP Package	90
SOIC Package	100
Maximum Junction Temperature (Plastic Packages)	150°C
Maximum Storage Temperature Range	-65°C to 150°C
Maximum Lead Temperature (Soldering 10s)	300°C (SOIC - Lead Tips Only)

## Operating Conditions

Voltage Range	±20V (Max)
Temperature Range	-40°C to 85°C
Input Low Voltage	0.8V (Max)
Input High Voltage	2.4V (Min)
Input Rise and Fall Time	≤20ns

*CAUTION: Stresses above those listed in "Absolute Maximum Ratings" may cause permanent damage to the device. This is a stress only rating and operation of the device at these or any other conditions above those indicated in the operational sections of this specification is not implied.*

### NOTES:

1. Signals on S<sub>X</sub>, D<sub>X</sub>, or IN<sub>X</sub> exceeding V+ or V- will be clamped by internal diodes. Limit forward diode current to maximum current ratings.
2.  $\theta_{JA}$  is measured with the component mounted on an evaluation PC board in free air.

## Electrical Specifications Test Conditions: V+ = +15V, V- = -15V, V<sub>L</sub> = 5V, V<sub>IN</sub> = 2.4V, 0.8V (Note 3), Unless Otherwise Specified

PARAMETER	TEST CONDITIONS	TEMP (°C)	(NOTE 4) MIN	(NOTE 5) TYP	(NOTE 4) MAX	UNITS
<b>DYNAMIC CHARACTERISTICS</b>						
Turn-ON Time, t <sub>ON</sub>	R <sub>L</sub> = 300Ω, C <sub>L</sub> = 35pF, V <sub>S</sub> = ±10V (Figure 1)	25	-	110	175	ns
		85	-	-	220	ns
Turn-OFF Time, t <sub>OFF</sub>		25	-	100	145	ns
		85	-	-	160	ns
Break-Before-Make Time Delay	DG413 Only, R <sub>L</sub> = 300Ω, C <sub>L</sub> = 35pF (Figure 2)	25	-	25	-	ns
Charge Injection, Q (Figure 3)	C <sub>L</sub> = 10nF, V <sub>G</sub> = 0V, R <sub>G</sub> = 0Ω	25	-	5	-	pC
OFF Isolation (Figure 5)	R <sub>L</sub> = 50Ω, C <sub>L</sub> = 5pF, f = 1MHz	25	-	68	-	dB
Crosstalk (Channel-to-Channel), (Figure 4)		25	-	-85	-	dB
Source OFF Capacitance, C <sub>S(OFF)</sub>	f = 1MHz (Figure 6)	25	-	9	-	pF
Drain OFF Capacitance, C <sub>D(OFF)</sub>		25	-	9	-	pF
Channel ON Capacitance, C <sub>D(ON)</sub> + C <sub>S(ON)</sub>		25	-	35	-	pF
<b>DIGITAL INPUT CHARACTERISTICS</b>						
Input Current V <sub>IN</sub> Low, I <sub>IL</sub>	V <sub>IN</sub> Under Test = 0.8V, All Others = 2.4V	Full	-0.5	0.005	0.5	μA
Input Current V <sub>IN</sub> High, I <sub>IH</sub>	V <sub>IN</sub> Under Test = 2.4V, All Others = 0.8V	Full	-0.5	0.005	0.5	μA
<b>ANALOG SWITCH CHARACTERISTICS</b>						
Analog Signal Range, V <sub>ANALOG</sub>	I <sub>S</sub> = ±10mA	Full	-15	-	15	V
Drain-Source ON Resistance, r <sub>DS(ON)</sub>	I <sub>S</sub> = ±10mA, V <sub>D</sub> = ±8.5V, V+ = 13.5V, V- = -13.5V	25	-	25	35	Ω
		Full	-	-	45	Ω

## DG411, DG412, DG413

**Electrical Specifications** Test Conditions:  $V_+ = +15V$ ,  $V_- = -15V$ ,  $V_L = 5V$ ,  $V_{IN} = 2.4V, 0.8V$  (Note 3),  
Unless Otherwise Specified **(Continued)**

PARAMETER	TEST CONDITIONS	TEMP (°C)	(NOTE 4) MIN	(NOTE 5) TYP	(NOTE 4) MAX	UNITS
Source OFF Leakage Current, $I_{S(OFF)}$ Drain OFF Leakage Current, $I_{D(OFF)}$	$V_+ = 16.5V$ , $V_- = -16.5V$ , $V_D = \pm 15.5V$ , $V_S = \mp 15.5V$	25	-0.25	$\pm 0.1$	0.25	nA
		Full	-5	-	+5	nA
		25	-0.25	$\pm 0.1$	0.25	nA
		Full	-5	-	+5	nA
Channel ON Leakage Current, $I_{D(ON)} + I_{S(ON)}$	$V_+ = 16.5V$ , $V_- = -16.5V$ , $V_S = V_D = \pm 15.5V$	25	-0.4	$\pm 0.1$	0.4	nA
		Full	-10	-	+10	nA
<b>POWER SUPPLY CHARACTERISTICS</b>						
Positive Supply Current, $I_+$	$V_+ = 16.5V$ , $V_- = -16.5V$ , $V_{IN} = 0V$ or $5V$	25	-	0.0001	1	$\mu A$
		85	-	-	5	$\mu A$
Negative Supply Current, $I_-$		25	-1	-0.0001	-	$\mu A$
		85	-5	-	-	$\mu A$
Logic Supply Current, $I_L$		25	-	0.0001	1	$\mu A$
		85	-	-	5	$\mu A$
Ground Current, $I_{GND}$		25	-1	-0.0001	-	$\mu A$
		85	-5	-	-	$\mu A$

**Electrical Specifications** (Single Supply) Test Conditions:  $V_+ = +12V$ ,  $V_- = 0V$ ,  $V_L = 5V$ ,  $V_{IN} = 2.4V, 0.8V$  (Note 3),  
Unless Otherwise Specified

PARAMETER	TEST CONDITIONS	TEMP (°C)	(NOTE 4) MIN	(NOTE 5) TYP	(NOTE 4) MAX	UNITS
<b>DYNAMIC CHARACTERISTICS</b>						
Turn-ON Time, $t_{ON}$	$R_L = 300\Omega$ , $C_L = 35pF$ , $V_S = 8V$ , (Figure 1)	25	-	175	250	ns
		85	-	-	315	ns
Turn-OFF Time, $t_{OFF}$		25	-	95	125	ns
		85	-	-	140	ns
Break-Before-Make Time Delay	DG413 Only, $R_L = 300\Omega$ , $C_L = 35pF$ , $V_S = 8V$	25	-	25	-	ns
Charge Injection, $Q$	$C_L = 10nF$ , $V_G = 6.0V$ , $R_G = 0\Omega$	25	-	25	-	pC
<b>ANALOG SWITCH CHARACTERISTICS</b>						
Analog Signal Range, $V_{ANALOG}$		Full	0	-	12	V
Drain-Source ON Resistance, $r_{DS(ON)}$	$I_S = -10mA$ , $V_D = 3V, 8V$ , $V_+ = 10.8V$	25	-	40	80	$\Omega$
		Full	-	-	100	$\Omega$

**Electrical Specifications** (Single Supply) Test Conditions:  $V_+ = +12V$ ,  $V_- = 0V$ ,  $V_L = 5V$ ,  $V_{IN} = 2.4V, 0.8V$  (Note 3), Unless Otherwise Specified **(Continued)**

PARAMETER	TEST CONDITIONS	TEMP (°C)	(NOTE 4) MIN	(NOTE 5) TYP	(NOTE 4) MAX	UNITS
<b>POWER SUPPLY CHARACTERISTICS</b>						
Positive Supply Current, $I_+$	$V_+ = 13.2V$ , $V_- = 0V$ $V_{IN} = 0V$ or $5V$	25	-	0.0001	1	$\mu A$
		85	-	-	5	$\mu A$
Negative Supply Current, $I_-$		25	-1	-0.0001	-	$\mu A$
		85	-5	-	-	$\mu A$
Logic Supply Current, $I_L$		25	-	0.0001	1	$\mu A$
		85	-	-	5	$\mu A$
Ground Current, $I_{GND}$		25	-1	-0.0001	-	$\mu A$
		85	-5	-	-	$\mu A$

NOTES:

- $V_{IN}$  = input voltage to perform proper function.
- The algebraic convention whereby the most negative value is a minimum and the most positive a maximum, is used in this data sheet.
- Typical values are for DESIGN AID ONLY, not guaranteed nor subject to production testing.

**Test Circuits and Waveforms**

$V_O$  is the steady state output with the switch on. Feedthrough via switch capacitance may result in spikes at the leading and trailing edge of the output waveform.

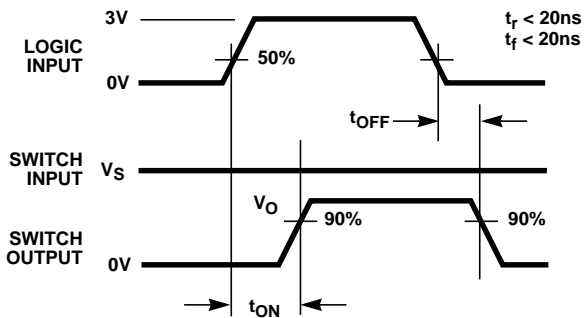


FIGURE 1A. MEASUREMENTS POINTS

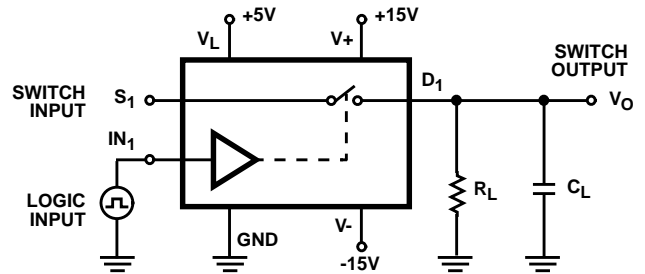


FIGURE 1B. TEST CIRCUIT

Repeat test for all IN and S.  
For load conditions, see Specifications.  $C_L$  includes fixture and stray capacitance.

$$V_O = V_S \frac{R_L}{R_L + r_{DS(ON)}}$$

FIGURE 1. SWITCHING TIMES

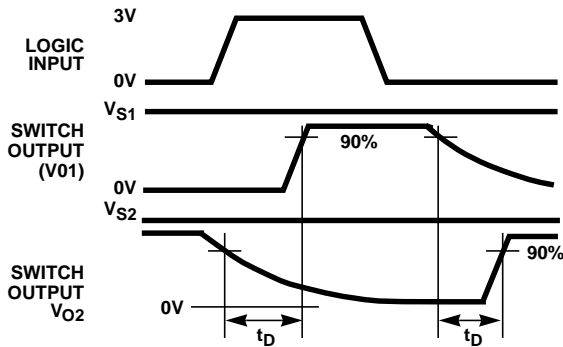


FIGURE 2A. MEASUREMENT POINTS

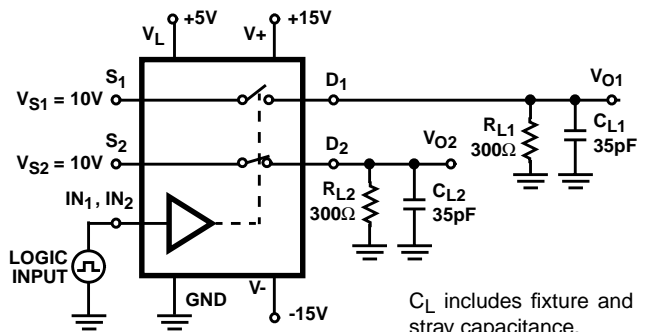


FIGURE 2B. TEST CIRCUITS

$C_L$  includes fixture and stray capacitance.

FIGURE 2. BREAK-BEFORE-MAKE TIME

Test Circuits and Waveforms (Continued)

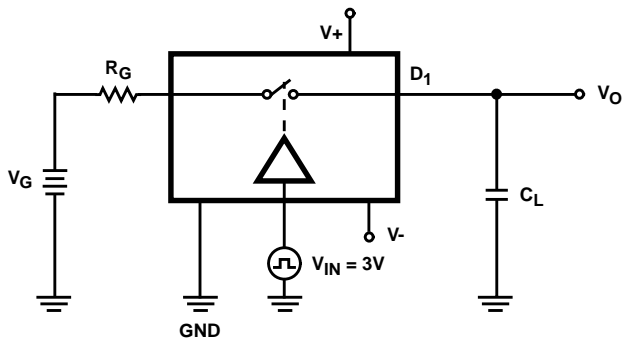
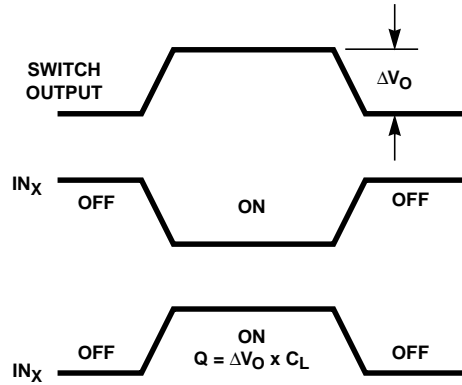


FIGURE 3A. TEST CIRCUIT



NOTE:  $IN_X$  dependent on switch configuration, input polarity determined by sense of switch.

FIGURE 3B. MEASUREMENT POINTS

FIGURE 3. CHARGE INJECTION

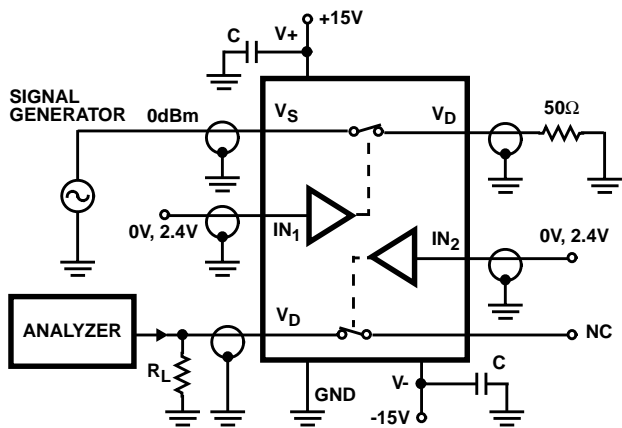


FIGURE 4. CROSTALK TEST CIRCUIT

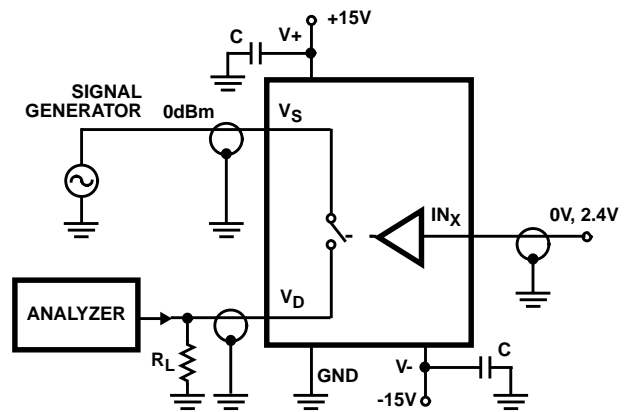


FIGURE 5. OFF ISOLATION TEST CIRCUIT

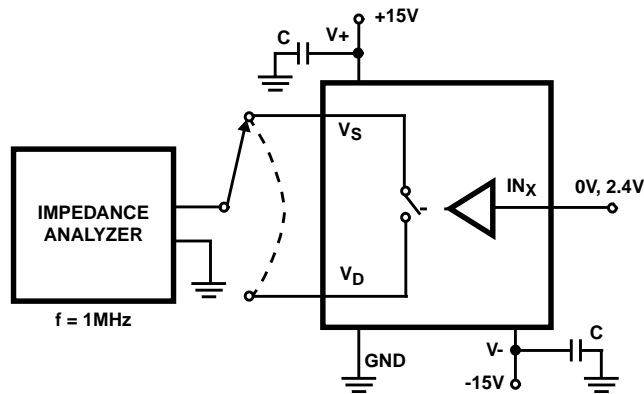


FIGURE 6. SOURCE/DRAIN CAPACITANCES TEST CIRCUIT

**Application Information**

**Single Supply Operation**

The DG411, DG412, DG413 can be operated with unipolar supplies from 5V to 44V. These devices are characterized and tested for single supply operation at 12V to facilitate the majority of applications. To function properly, 12V is tied to Pins 13 and 0V is tied to Pin 4.

Pin 12 still requires 5V for TTL compatible switching.

**Summing Amplifier**

When driving a high impedance, high capacitance load such as shown in Figure 7, where the inputs to the summing amplifier have some noise filtering, it is necessary to have shunt switches for rapid discharge of the filter capacitor, thus preventing offsets from occurring at the output.

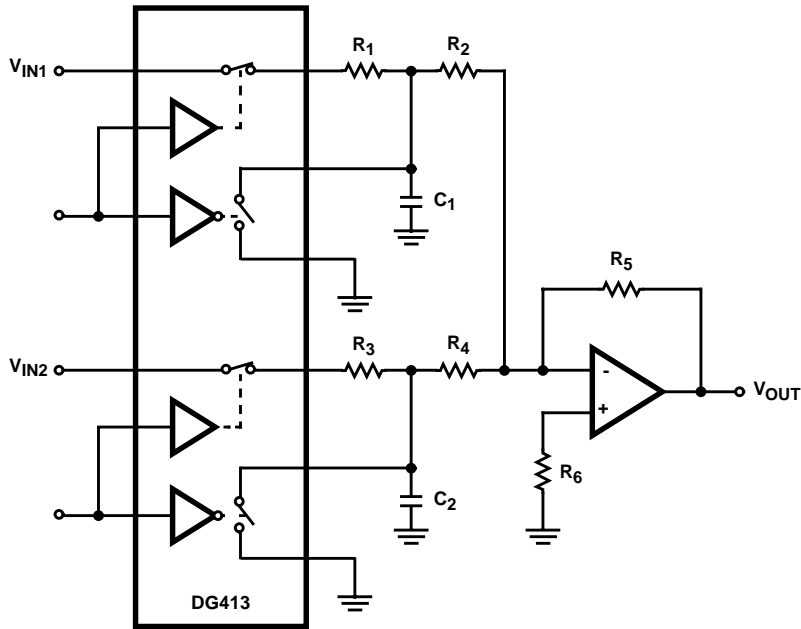


FIGURE 7. SUMMING AMPLIFIER

Typical Performance Curves

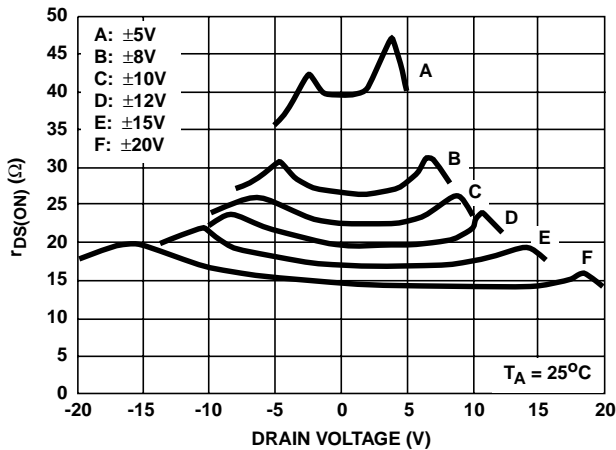


FIGURE 8. ON RESISTANCE vs  $V_D$  AND POWER SUPPLY VOLTAGE

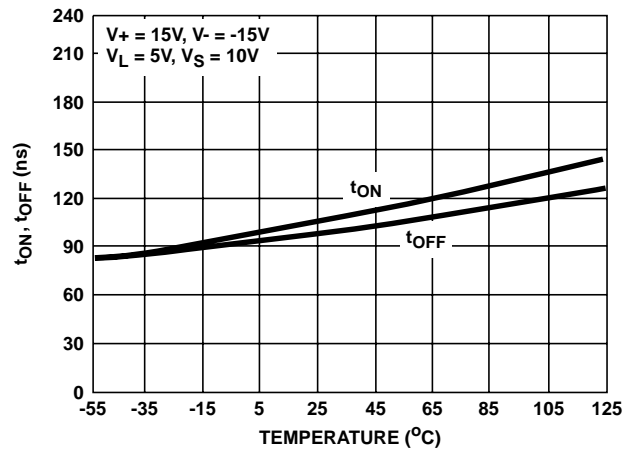


FIGURE 9. SWITCHING TIME vs TEMPERATURE

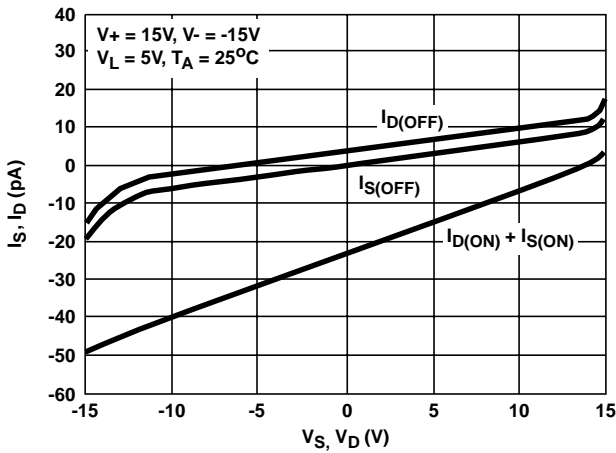


FIGURE 10. LEAKAGE CURRENTS vs ANALOG VOLTAGE

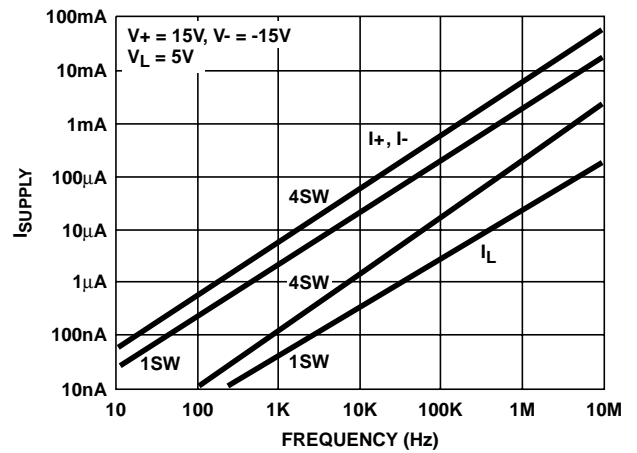


FIGURE 11. SUPPLY CURRENT vs INPUT SWITCHING FREQUENCY

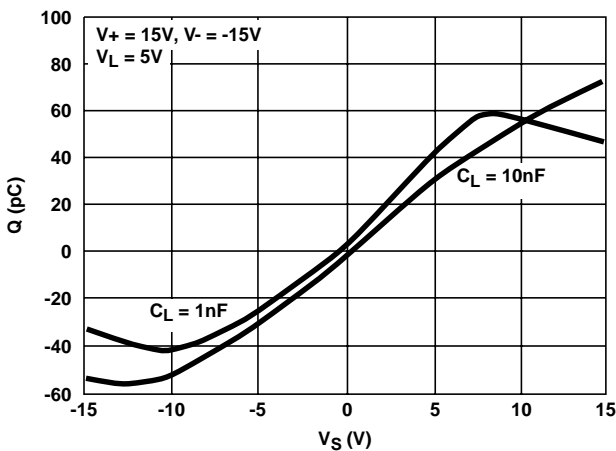


FIGURE 12. CHARGE INJECTION vs SOURCE VOLTAGE

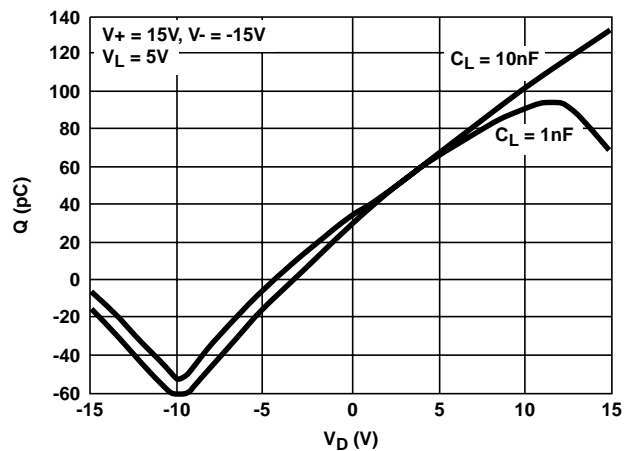


FIGURE 13. CHARGE INJECTION vs DRAIN VOLTAGE



**Die Characteristics**

**DIE DIMENSIONS:**

2760 $\mu$ m x 1780 $\mu$ m x 485 $\mu$ m

**METALLIZATION:**

Type: SiAl  
 Thickness: 12k $\text{\AA}$   $\pm$  1k $\text{\AA}$

**PASSIVATION:**

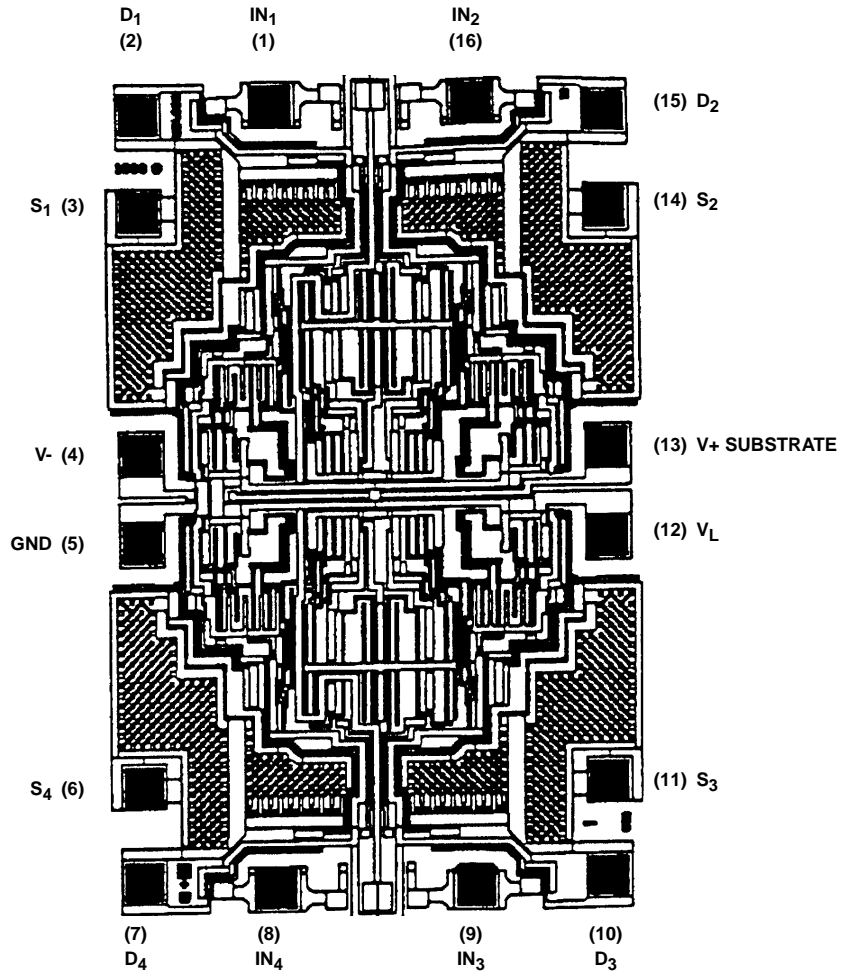
Type: Nitride  
 Thickness: 8k $\text{\AA}$   $\pm$  1k $\text{\AA}$

**WORST CASE CURRENT DENSITY:**

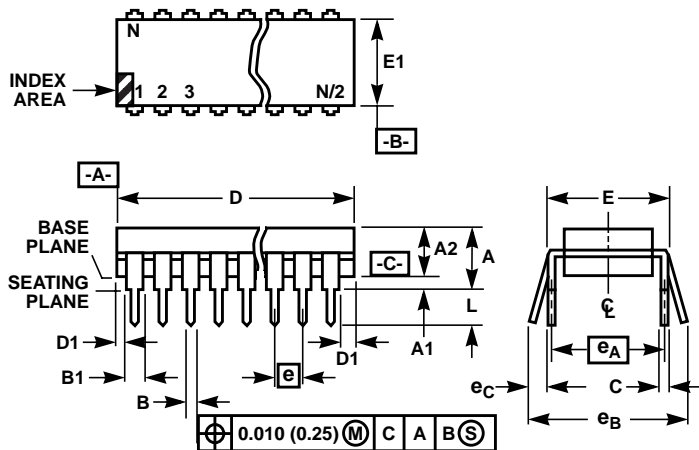
1.5 x 10<sup>5</sup> A/cm<sup>2</sup>

**Metallization Mask Layout**

DG411, DG412, DG413



Dual-In-Line Plastic Packages (PDIP)



NOTES:

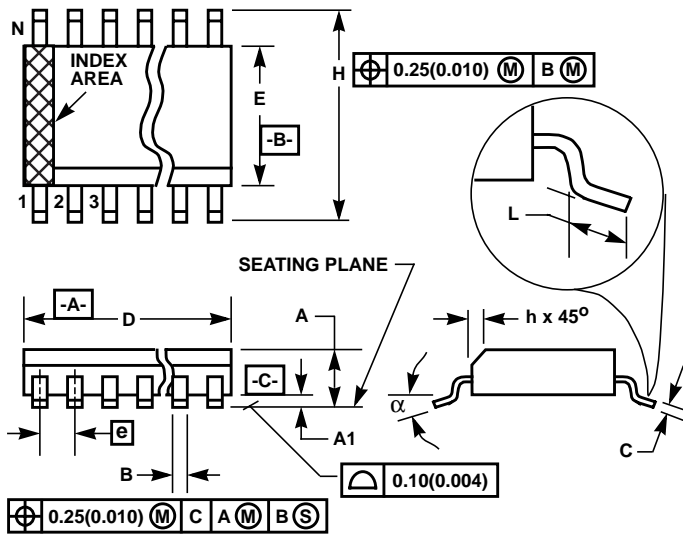
1. Controlling Dimensions: INCH. In case of conflict between English and Metric dimensions, the inch dimensions control.
2. Dimensioning and tolerancing per ANSI Y14.5M-1982.
3. Symbols are defined in the "MO Series Symbol List" in Section 2.2 of Publication No. 95.
4. Dimensions A, A1 and L are measured with the package seated in JEDEC seating plane gauge GS-3.
5. D, D1, and E1 dimensions do not include mold flash or protrusions. Mold flash or protrusions shall not exceed 0.010 inch (0.25mm).
6. E and  $e_A$  are measured with the leads constrained to be perpendicular to datum  $-C-$ .
7.  $e_B$  and  $e_C$  are measured at the lead tips with the leads unconstrained.  $e_C$  must be zero or greater.
8. B1 maximum dimensions do not include dambar protrusions. Dambar protrusions shall not exceed 0.010 inch (0.25mm).
9. N is the maximum number of terminal positions.
10. Corner leads (1, N, N/2 and N/2 + 1) for E8.3, E16.3, E18.3, E28.3, E42.6 will have a B1 dimension of 0.030 - 0.045 inch (0.76 - 1.14mm).

E16.3 (JEDEC MS-001-BB ISSUE D)  
16 LEAD DUAL-IN-LINE PLASTIC PACKAGE

SYMBOL	INCHES		MILLIMETERS		NOTES
	MIN	MAX	MIN	MAX	
A	-	0.210	-	5.33	4
A1	0.015	-	0.39	-	4
A2	0.115	0.195	2.93	4.95	-
B	0.014	0.022	0.356	0.558	-
B1	0.045	0.070	1.15	1.77	8, 10
C	0.008	0.014	0.204	0.355	-
D	0.735	0.775	18.66	19.68	5
D1	0.005	-	0.13	-	5
E	0.300	0.325	7.62	8.25	6
E1	0.240	0.280	6.10	7.11	5
e	0.100 BSC		2.54 BSC		-
$e_A$	0.300 BSC		7.62 BSC		6
$e_B$	-	0.430	-	10.92	7
L	0.115	0.150	2.93	3.81	4
N	16		16		9

Rev. 0 12/93

**Small Outline Plastic Packages (SOIC)**



**M16.15 (JEDEC MS-012-AC ISSUE C)**  
**16 LEAD NARROW BODY SMALL OUTLINE PLASTIC PACKAGE**

SYMBOL	INCHES		MILLIMETERS		NOTES
	MIN	MAX	MIN	MAX	
A	0.0532	0.0688	1.35	1.75	-
A1	0.0040	0.0098	0.10	0.25	-
B	0.013	0.020	0.33	0.51	9
C	0.0075	0.0098	0.19	0.25	-
D	0.3859	0.3937	9.80	10.00	3
E	0.1497	0.1574	3.80	4.00	4
e	0.050 BSC		1.27 BSC		-
H	0.2284	0.2440	5.80	6.20	-
h	0.0099	0.0196	0.25	0.50	5
L	0.016	0.050	0.40	1.27	6
N	16		16		7
α	0°	8°	0°	8°	-

**NOTES:**

1. Symbols are defined in the "MO Series Symbol List" in Section 2.2 of Publication Number 95.
2. Dimensioning and tolerancing per ANSI Y14.5M-1982.
3. Dimension "D" does not include mold flash, protrusions or gate burrs. Mold flash, protrusion and gate burrs shall not exceed 0.15mm (0.006 inch) per side.
4. Dimension "E" does not include interlead flash or protrusions. Interlead flash and protrusions shall not exceed 0.25mm (0.010 inch) per side.
5. The chamfer on the body is optional. If it is not present, a visual index feature must be located within the crosshatched area.
6. "L" is the length of terminal for soldering to a substrate.
7. "N" is the number of terminal positions.
8. Terminal numbers are shown for reference only.
9. The lead width "B", as measured 0.36mm (0.014 inch) or greater above the seating plane, shall not exceed a maximum value of 0.61mm (0.024 inch).
10. Controlling dimension: MILLIMETER. Converted inch dimensions are not necessarily exact.

Rev. 0 12/93

All Intersil semiconductor products are manufactured, assembled and tested under **ISO9000** quality systems certification.

*Intersil semiconductor products are sold by description only. Intersil Corporation reserves the right to make changes in circuit design and/or specifications at any time without notice. Accordingly, the reader is cautioned to verify that data sheets are current before placing orders. Information furnished by Intersil is believed to be accurate and reliable. However, no responsibility is assumed by Intersil or its subsidiaries for its use; nor for any infringements of patents or other rights of third parties which may result from its use. No license is granted by implication or otherwise under any patent or patent rights of Intersil or its subsidiaries.*

For information regarding Intersil Corporation and its products, see web site <http://www.intersil.com>

**Sales Office Headquarters**

**NORTH AMERICA**

Intersil Corporation  
 P. O. Box 883, Mail Stop 53-204  
 Melbourne, FL 32902  
 TEL: (407) 724-7000  
 FAX: (407) 724-7240

**EUROPE**

Intersil SA  
 Mercure Center  
 100, Rue de la Fusee  
 1130 Brussels, Belgium  
 TEL: (32) 2.724.2111  
 FAX: (32) 2.724.22.05

**ASIA**

Intersil (Taiwan) Ltd.  
 7F-6, No. 101 Fu Hsing North Road  
 Taipei, Taiwan  
 Republic of China  
 TEL: (886) 2 2716 9310  
 FAX: (886) 2 2715 3029