

GD54/74HC00, GD54/74HCT00

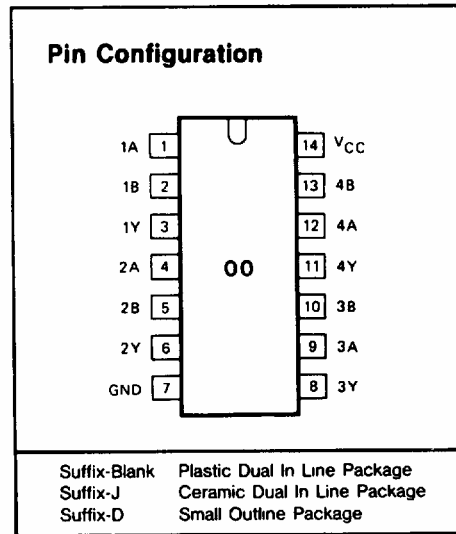
QUAD 2-INPUT NAND GATES

General Description

These devices are identical in pinout to the 54/74LS00. They contain four independent 2-input NAND gates. These devices are characterized for operation over wide temperature ranges to meet industry and military specifications.

Features

- Low Power consumption characteristic of CMOS devices
- Output drive capability: 10 LS TTL Loads Min.
- Operating speed superior to LS TTL
- Wide operating voltage range: for HC 2 to 6 volts for HCT 4.5 to 5.5 volts
- Low input current: 1 μ A Max.
- Low quiescent current: 20 μ A Max. (74HC)
- High noise immunity characteristic of CMOS
- Diode protection on all inputs



Logic Symbol and Logic Diagram

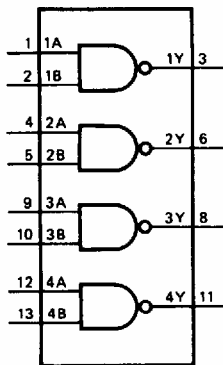


Fig. 1 Logic Symbol

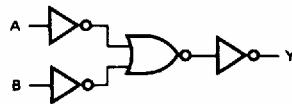


Fig. 2 Logic diagram (one gate)

Function Table

INPUTS		OUTPUT
nA	nB	nY
L	L	H
L	H	H
H	L	H
H	H	L

H=HIGH voltage level
L=LOW voltage level

GD54/74HC00, GD54/74HCT00

Absolute Maximum Ratings

SYMBOL	PARAMETER	CONDITIONS	MIN	MAX	UNIT
V_{CC}	DC Supply voltage		-0.5	+7	V
I_{IK}, I_{OK}	DC input or output diode current	for $V_I < -0.5$ or $V_I > V_{CC} + 0.5V$		20	mA
I_O	DC output source or sink current	for $-0.5V < V_O < V_{CC} + 0.5V$		25	mA
I_{CC}	DC V_{CC} or GND current			50	mA
T_{stg}	Storage temperature range		-65	150	°C
P_D	Power dissipation per package	above +70°C derate linearly with 8mW/K		500	mW
T_L	Lead temperature	At distance $1/16 \pm 1/32$ in from case for 60 sec(CERAMIC) 10 sec(PLASTIC)		300 260	°C

Recommended Operating Conditions

CHARACTERISTIC	LIMITS		UNITS
	MIN	MAX	
Supply-Voltage Range V_{CC} . GD54/74HC Types GD54/74HCT Types	2 4.5	6 5.5	V
DC Input or Output Voltage V_I, V_O	0	V_{CC}	V
Operating Temperature T_A GD74 Types GD54 Types	-40 -55	+85 +125	°C
Input Rise and Fall times t_r, t_f GD54/74HC Types at 2V at 4.5V at 6V GD54/74HCT Types at 4.5V		1000 500 400 500	ns

GD54/74HC00, GD54/74HCT00

DC Electrical Characteristics for HC

SYMBOL	PARAMETER	TEST CONDITION	V _{CC} (V)	T _A =25°C			GD74HC00		GD54HC00		UNIT
				MIN	TYP	MAX	MIN	MAX	MIN	MAX	
V _{IH}	HIGH level input voltage		2.0 4.5 6.0	1.5 3.15 4.2			1.5 3.15 4.2		1.5 3.15 4.2		V
V _{IL}	LOW level input voltage		2.0 4.5 6.0			0.3 0.9 1.2		0.3 0.9 1.2		0.3 0.9 1.2	V
V _{OH}	HIGH level output voltage	V _{IN} =V _{IH} or V _{IL}	I _{OH} =-20μA I _{OH} =-4mA I _{OH} =-5.2mA	2.0 4.5 6.0	1.9 4.4 5.9	2.0 4.5 6.0		1.9 4.4 5.9		1.9 4.4 5.9	V
				4.5 6.0	3.98 5.48	4.3 5.2		3.84 5.34		3.7 5.2	
V _{OL}	LOW level output voltage	V _{IN} =V _{IH} or V _{IL}	I _{OL} =20μA I _{OL} =4mA I _{OL} =5.2mA	2.0 4.5 6.0			0.1 0.1 0.1		0.1 0.1 0.1		V
				4.5 6.0	0.17 0.15	0.26 0.26		0.33 0.33		0.4 0.4	
I _{IN}	Input leakage current	V _{IN} =V _{CC} or GND	6.0			0.1		1.0		1.0	μA
I _{CC}	Quiescent supply current	V _{IN} =V _{CC} or GND I _{out} =0μA	6.0			2		20		40	μA

DC Electrical Characteristics for HCT

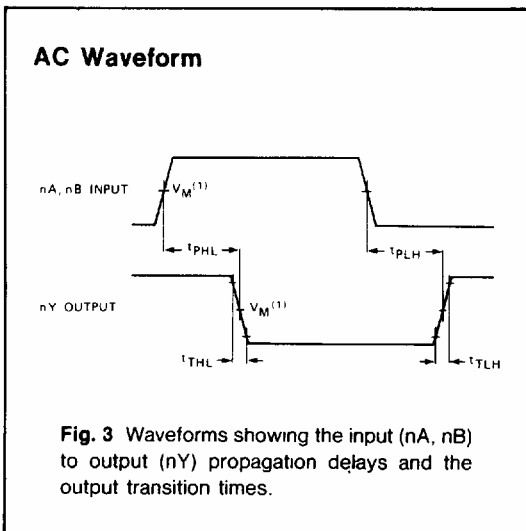
SYMBOL	PARAMETER	TEST CONDITION	V _{CC} (V)	T _A =25°C			GD74HCT00		GD54HCT00		UNIT	
				MIN	TYP	MAX	MIN	MAX	MIN	MAX		
V _{IH}	HIGH level input voltage		4.5 to 5.5	2.0			2.0		2.0		V	
V _{IL}	LOW level input voltage		4.5 to 5.5			0.8		0.8		0.8	V	
V _{OH}	HIGH level output voltage	V _{IN} =V _{IH} or V _{IL}	I _{OH} =-20μA I _{OH} =-4mA	4.5	4.4	4.5		4.4		4.4	V	
				4.5	3.98	4.3		3.84		3.7		
V _{OL}	LOW level output voltage	V _{IN} =V _{IH} or V _{IL}	I _{OL} =20μA I _{OL} =4mA	4.5			0.1		0.1		0.1	V
				4.5		0.17	0.26		0.33		0.4	
I _{IN}	Input leakage current	V _{IN} =V _{CC} or GND	5.5			0.1		1.0		1.0	μA	
I _{CC}	Quiescent supply current	V _{IN} =V _{CC} or GND I _{out} =0μA	5.5			2		20		40	μA	

AC Characteristics for HC : $t_r=t_f=6ns$ $C_L=50pF$

SYMBOL	PARAMETER	V_{CC} (V)	$T_A=25^\circ C$			GD74HC00		GD54HC00		UNIT
			MIN	TYP	MAX	MIN	MAX	MIN	MAX	
$t_{PLH}/$ t_{PHL}	Propagation delay time nA, nB to nY	2.0 4.5 6.0		25 9 7	90 18 15		115 23 20		135 27 23	ns
$t_{TLH}/$ t_{THL}	Output transition time	2.0 4.5 6.0		18 7 6	72 14 13		95 19 16		110 22 19	ns

AC Characteristics for HCT : $t_r=t_f=6ns$ $C_L=50pF$

SYMBOL	PARAMETER	V_{CC} (V)	$T_A=25^\circ C$			GD74HCT00		GD54HCT00		UNIT
			MIN	TYP	MAX	MIN	MAX	MIN	MAX	
$t_{PLH}/$ t_{PHL}	Propagation delay time nA, nB, to nY	4.5		10	19		24		29	ns
$t_{TLH}/$ t_{THL}	Output transition time	4.5		7	15		19		22	ns



Note to AC waveform
 (1) HC $V_M=50\%$ $V_i=GND$ to V_{CC}
 HCT $V_M=1.3V$ $V_i=GND$ to $3V$