



T-1(3mm) Ultra Bright AlGaAs Red LED Lamps

LTL-4266NUR
LTL-4266NR
LTL-4262NR
LTL-4261NR

Features

- Ultra brightness.
- New sturdy leads.
- Versatile mounting on P.C. board or panel.
- I.C. compatible/low current requirements.
- Reliable and rugged.

Description

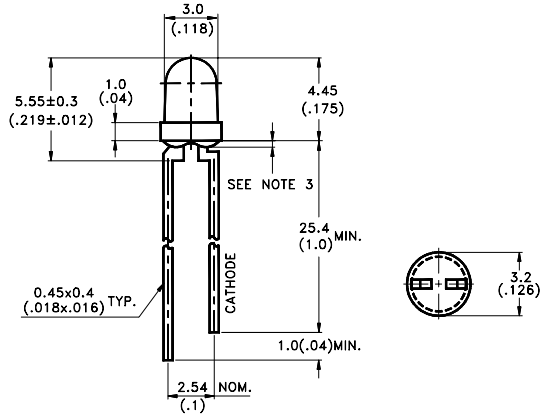
The source color devices are made with Aluminum Gallium Arsenide light emitting diode.

LTL-4266NUR is made with high performance AlGaAs dice.

LTL-4261NR, LTL-4262NR and LTL-4266NR are made with DH AlGaAs dice.

These lamps out perform conventional LED lamps. By utilizing new higher intensity material, we achieve superior product performance.

Package Dimensions



Notes:

1. All dimensions are in millimeters (inches).
2. Tolerance is $\pm 0.25\text{mm}$ (.010") unless otherwise noted.
3. Protruded resin under flange is 1.0mm (.04") max.
4. Lead spacing is measured where the leads emerge from the package.
5. Specifications are subject to change without notice.

Devices

Part No. LTL-	Lens	Source Color
4266NUR	Water Clear	AlGaAs Red
4266NR	Water Clear	AlGaAs Red
4262NR	Red Transparent	AlGaAs Red
4261NR	Red Diffused	AlGaAs Red

ULTRA BRIGHT
LAMPS & CLUSTER
& CHMSL

Absolute Maximum Ratings at Ta=25°C

Parameter	Maximum Rating	Unit
Power Dissipation	100	mW
Peak Forward Current (1/10 Duty Cycle, 0.1ms Pulse Width)	200	mA
Continuous Forward Current	40	mA
Derating Linear From 50°C	0.5	mA/°C
Reverse Voltage	4	V
Operating Temperature Range	-40°C to +100°C	
Storage Temperature Range	-55°C to +100°C	
Lead Soldering Temperature [1.6mm (.063") From Body]	260°C for 5 Seconds	

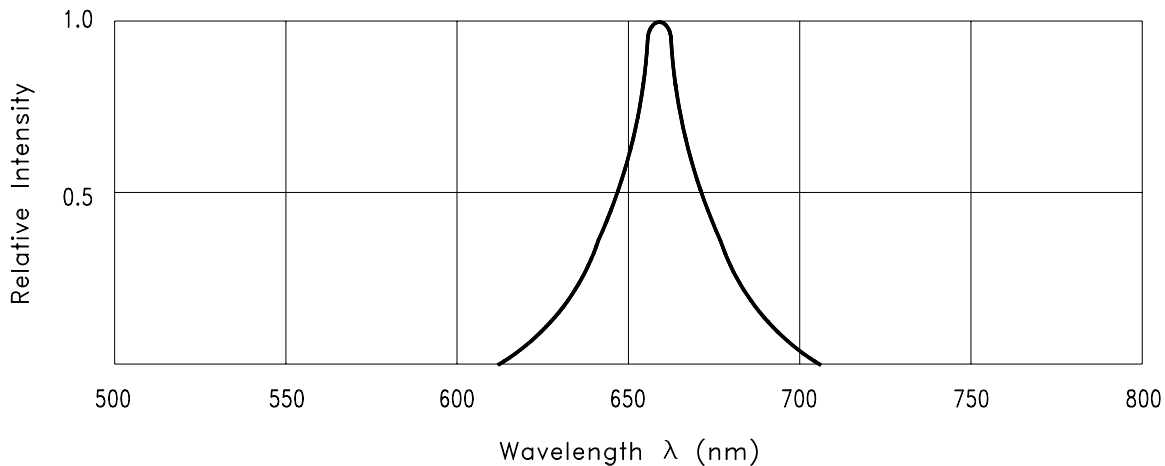


Fig.1 Relative Intensity vs. Wavelength

Electrical /Optical Characteristics and Curves at Ta=25°C

Parameter	Symbol	Part No. LTL-	Min.	Typ.	Max.	Unit	Test Condition
Luminous Intensity	Iv	4266NUR	100	500		mcd	If=20mA Note 1,2
		4266NR	60	170		mcd	If=20mA Note 1
		4262NR 4261NR	40 19	135 60			
Viewing Angle	2θ ^{1/2}	4266NUR 4266NR 4262NR 4261NR		35 45 45 60		deg	Note 3 (Fig. 5)
Peak Emission Wavelength	λ P			660		nm	Measurement @Peak (Fig.1)
Dominant Wavelength	λ d			638		nm	Note 6
Spectral Line Half-Width	Δλ			20		nm	
Forward Voltage	V _F			1.8	2.4	V	If=20mA
Reverse Current	I _R				100	μ A	V _R =4V
Capacitance	C			30		pF	V _F =0, f=1MHz

Notes:1. Luminous intensity is measured with a light sensor and filter combination that approximates the CIE eye-response curve.

2. Luminous intensity rank classified products support two ranks.

3. θ^{1/2} is the off-axis angle at which the luminous intensity is half the axial luminous intensity.

4. Iv classification code is marked on each packing bag.

5. The Iv guarantee should be added ± 15%.

6. The dominant wavelength, λ d is derived from the CIE chromaticity diagram and represents the single wavelength which defines the color of the device.

Typical Electrical/Optical Characteristic Curves (25°C Ambient Temperature Unless Otherwise Noted)

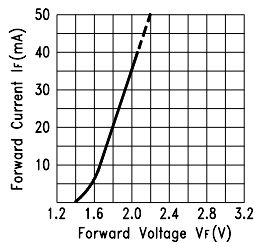


Fig.2 Forward Current vs. Forward Voltage

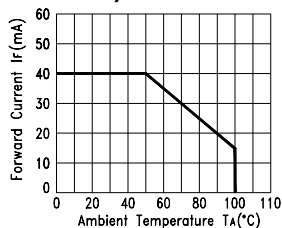


Fig.3 Forward Current Derating Curve

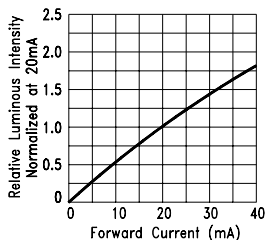


Fig.4 Relative Luminous Intensity vs. Forward Current

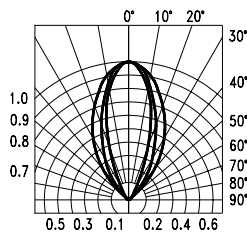


Fig.5 Spatial Distribution