



10-Bit, 40MHz, Current/Voltage-Output DACs

General Description

The MAX5181 is a 10-bit, current-output digital-to-analog converter (DAC) designed for superior performance in signal reconstruction or arbitrary waveform generation applications requiring analog signal reconstruction with low distortion and low-power operation. The MAX5184 provides equal specifications, with on-chip precision resistors for voltage-output operation. The MAX5181/MAX5184 are designed for a 10pVs glitch operation to minimize unwanted spurious signal components at the output. An on-board +1.2V bandgap circuit provides a well-regulated, low-noise reference that can be disabled for external reference operation.

The devices are designed to provide a high level of signal integrity for the least amount of power dissipation. They operate from a single +2.7V to +3.3V supply. Additionally, these DACs have three modes of operation: normal, low-power standby, and full shutdown, which provides the lowest possible power dissipation with a 1 μ A max shutdown current. A fast wake-up time (0.5 μ s) from standby mode to full DAC operation facilitates power conservation by activating the DAC only when required.

The MAX5181/MAX5184 are available in 24-pin QSOP packages and are specified for the extended (-40°C to +85°C) temperature range. For lower resolution, 8-bit versions, refer to the MAX5187/MAX5190 data sheet.

Applications

- Signal Reconstruction
- Arbitrary Waveform Generators (AWGs)
- Direct Digital Synthesis
- Imaging Applications

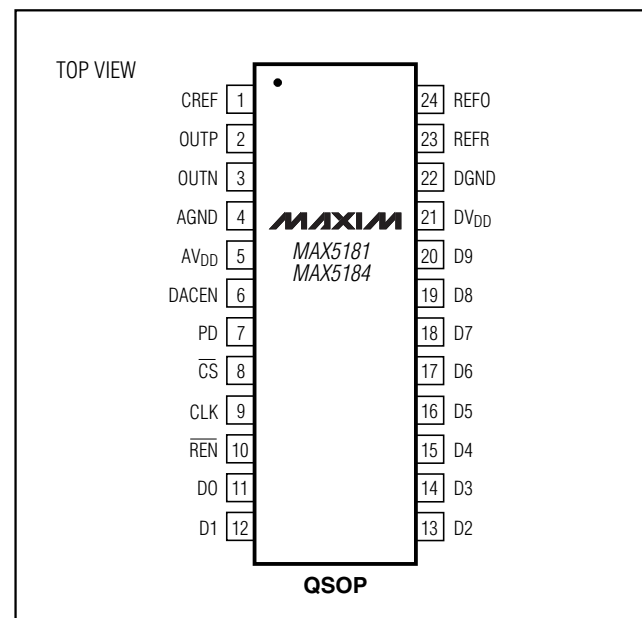
Features

- ◆ +2.7V to +3.3V Single-Supply Operation
- ◆ Wide Spurious-Free Dynamic Range: 70dB at $f_{OUT} = 2.2\text{MHz}$
- ◆ Fully Differential Output
- ◆ Low-Current Standby or Full Shutdown Modes
- ◆ Internal +1.2V, Low-Noise Bandgap Reference
- ◆ Small 24-Pin QSOP Package

Ordering Information

| PART | TEMP. RANGE | PIN-PACKAGE |
|-------------|----------------|-------------|
| MAX5181BEEG | -40°C to +85°C | 24 QSOP |
| MAX5184BEEG | -40°C to +85°C | 24 QSOP |

Pin Configuration



10-Bit, 40MHz, Current/Voltage-Output DACs

ABSOLUTE MAXIMUM RATINGS

| | | | |
|---|----------------|---|-----------------|
| AV _{DD} , DV _{DD} to AGND, DGND | -0.3V to +6V | Continuous Power Dissipation (T _A = +70°C) | |
| Digital Inputs to DGND | -0.3V to +6V | 24-Pin QSOP (derate 9.5mW/°C above +70°C) | 762mW |
| OUTP, OUTN, CREF to AGND | -0.3V to +6V | Operating Temperature Range | |
| V _{REF} to AGND | -0.3V to +6V | MAX518_BEEG | -40°C to +85°C |
| AGND to DGND | -0.3V to +0.3V | Storage Temperature Range | -65°C to +150°C |
| AV _{DD} to DV _{DD} | ±3.3V | Lead Temperature (soldering, 10sec) | +300°C |
| Maximum Current into Any Pin | 50mA | | |

Stresses beyond those listed under "Absolute Maximum Ratings" may cause permanent damage to the device. These are stress ratings only, and functional operation of the device at these or any other conditions beyond those indicated in the operational sections of the specifications is not implied. Exposure to absolute maximum rating conditions for extended periods may affect device reliability.

ELECTRICAL CHARACTERISTICS

(AV_{DD} = DV_{DD} = +3V ±10%, AGND = DGND = 0, f_{CLK} = 40MHz, I_{FS} = 1mA, 400Ω differential output, C_L = 5pF, T_A = T_{MIN} to T_{MAX}, unless otherwise noted. Typical values are at T_A = +25°C.)

| PARAMETER | SYMBOL | CONDITIONS | | MIN | TYP | MAX | UNITS |
|--|-----------------|--------------------------|---------------------------|------|------|-----|--------|
| STATIC PERFORMANCE | | | | | | | |
| Resolution | N | | | 10 | | | Bits |
| Integral Nonlinearity | INL | | | -2 | ±0.5 | +2 | LSB |
| Differential Nonlinearity | DNL | Guaranteed monotonic | | -1 | ±0.5 | 1 | LSB |
| Zero-Scale Error | | MAX5181 | | -2 | | +2 | LSB |
| | | MAX5184 | | -8 | | +8 | |
| Full-Scale Error | | (Note 1) | | -40 | ±15 | +40 | LSB |
| DYNAMIC PERFORMANCE | | | | | | | |
| Output Settling Time | | To ±0.5LSB error band | | | 25 | | ns |
| Glitch Impulse | | | | | 10 | | pVs |
| Spurious-Free Dynamic Range to Nyquist | SFDR | f _{CLK} = 40MHz | f _{OUT} = 550kHz | | 72 | | dBc |
| | | | f _{OUT} = 2.2MHz | 57 | 70 | | |
| Total Harmonic Distortion to Nyquist | THD | f _{CLK} = 40MHz | f _{OUT} = 550kHz | | -70 | | dB |
| | | | f _{OUT} = 2.2MHz | | -68 | -63 | |
| Signal-to-Noise Ratio to Nyquist | SNR | f _{CLK} = 40MHz | f _{OUT} = 550kHz | | 61 | | dB |
| | | | f _{OUT} = 2.2MHz | 56 | 59 | | |
| Clock and Data Feedthrough | | All 0s to all 1s | | | 50 | | nVs |
| Output Noise | | | | | 10 | | pA/√Hz |
| ANALOG OUTPUT | | | | | | | |
| Full-Scale Output Voltage | V _{FS} | | | | 400 | | mV |
| Voltage Compliance of Output | | | | -0.3 | | 0.8 | V |
| Output Leakage Current | | DACEN = 0, MAX5181 only | | -1 | | 1 | μA |
| Full-Scale Output Current | I _{FS} | MAX5181 only | | 0.5 | 1 | 1.5 | mA |
| DAC External Output Resistor Load | R _L | MAX5181 only | | | 400 | | Ω |

10-Bit, 40MHz, Current/Voltage-Output DACs

MAX5181/MAX5184

ELECTRICAL CHARACTERISTICS (continued)

($AV_{DD} = DV_{DD} = +3V \pm 10\%$, $AGND = DGND = 0$, $f_{CLK} = 40MHz$, $I_{FS} = 1mA$, 400Ω differential output, $C_L = 5pF$, $T_A = T_{MIN}$ to T_{MAX} , unless otherwise noted. Typical values are at $T_A = +25^\circ C$.)

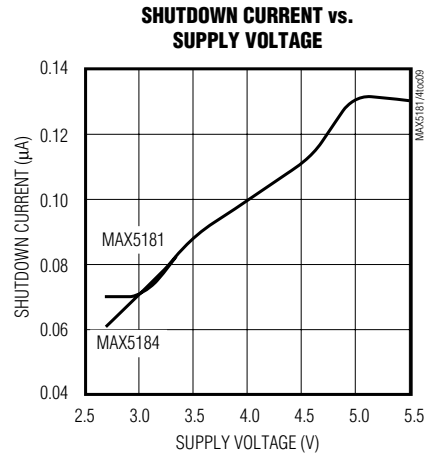
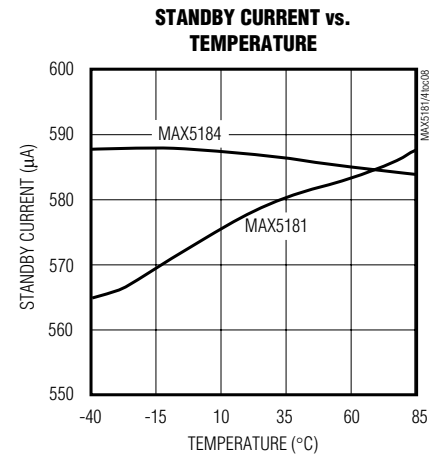
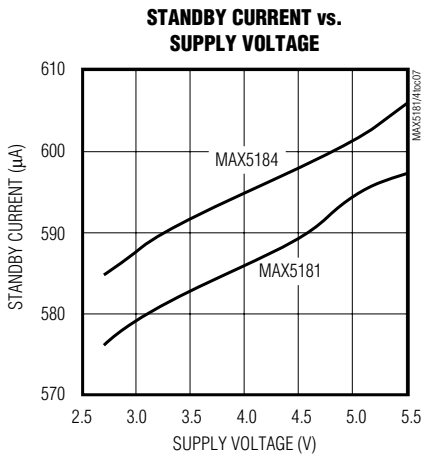
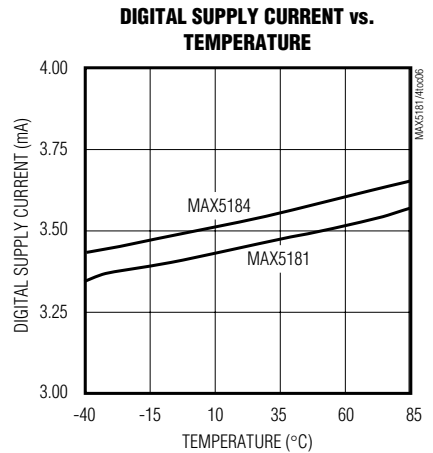
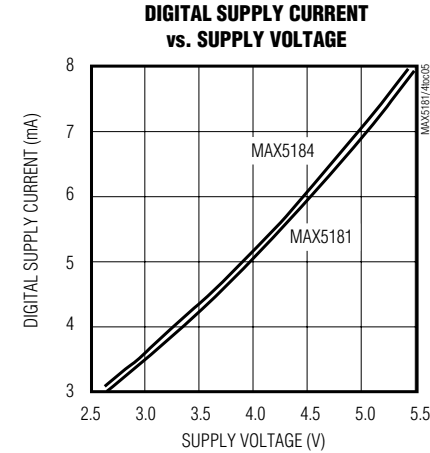
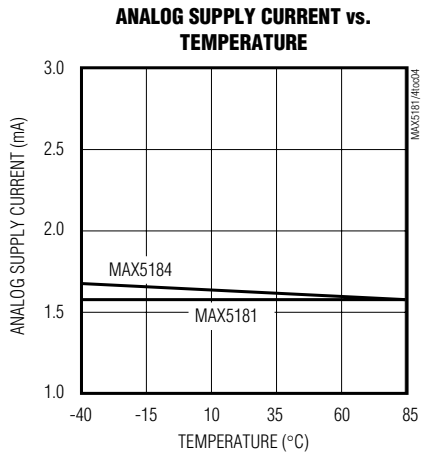
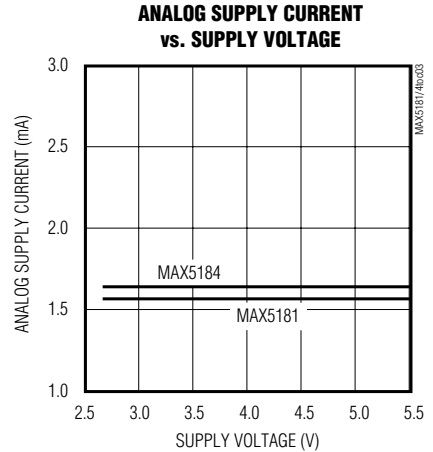
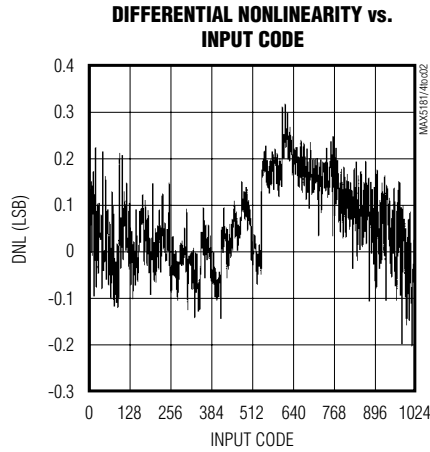
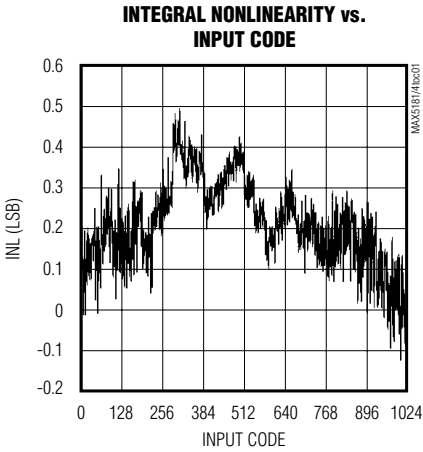
| PARAMETER | SYMBOL | CONDITIONS | MIN | TYP | MAX | UNITS |
|---------------------------------------|---------------|--|------|-----|---------|-----------------|
| REFERENCE | | | | | | |
| Output Voltage Range | V_{REF} | | 1.12 | 1.2 | 1.28 | V |
| Output Voltage Temperature Drift | TCV_{REF} | | | 50 | | ppm/ $^\circ C$ |
| Reference Output Drive Capability | I_{REFOUT} | | | 10 | | μA |
| Reference Supply Rejection | | | | 0.5 | | mV/V |
| Current Gain (I_{FS} / I_{REF}) | | | | 8 | | mA/mA |
| POWER REQUIREMENTS | | | | | | |
| Analog Power-Supply Voltage | AV_{DD} | | 2.7 | | 3.3 | V |
| Analog Supply Current | I_{AVDD} | PD = 0, DACEN = 1, digital inputs at 0 or DV_{DD} | | 1.7 | 4.0 | mA |
| Digital Power-Supply Voltage | DV_{DD} | | 2.7 | | 3.3 | V |
| Digital Supply Current | I_{DVDD} | PD = 0, DACEN = 1, digital inputs at 0 or DV_{DD} | | 4.2 | 5.0 | mA |
| Standby Current | $I_{STANDBY}$ | PD = 0, DACEN = 0, digital inputs at 0 or DV_{DD} | | 1.0 | 1.5 | mA |
| Shutdown Current | I_{SHDN} | PD = 1, DACEN = X, digital inputs at 0 or DV_{DD} (X = don't care) | | 0.5 | 1 | μA |
| LOGIC INPUTS AND OUTPUTS | | | | | | |
| Digital Input Voltage High | V_{IH} | | 2 | | | V |
| Digital Input Voltage Low | V_{IL} | | | | 0.8 | V |
| Digital Input Current | I_{IN} | $V_{IN} = 0$ or DV_{DD} | | | ± 1 | μA |
| Digital Input Capacitance | C_{IN} | | | 10 | | pF |
| TIMING CHARACTERISTICS | | | | | | |
| DAC DATA to CLK Rise Setup Time | t_{DS} | | 10 | | | ns |
| DAC CLK Rise to DATA Hold Time | t_{DH} | | 0 | | | ns |
| \overline{CS} Fall to CLK Rise Time | | | | 5 | | ns |
| \overline{CS} Fall to CLK Fall Time | | | | 5 | | ns |
| DACEN Rise Time to V_{OUT} | | | | 0.5 | | μs |
| PD Fall Time to V_{OUT} | | | | 50 | | μs |
| Clock Period | t_{CLK} | | 25 | | | ns |
| Clock High Time | t_{CH} | | 10 | | | ns |
| Clock Low Time | t_{CL} | | 10 | | | ns |

Note 1: Excludes reference and reference resistor (MAX5184) tolerance.

10-Bit, 40MHz, Current/Voltage-Output DACs

Typical Operating Characteristics

($V_{DD} = DV_{DD} = +3V$, $AGND = DGND = 0$, $I_{FS} = 1mA$, 400Ω differential output, $C_L = 5pF$, $T_A = +25^\circ C$, unless otherwise noted.)

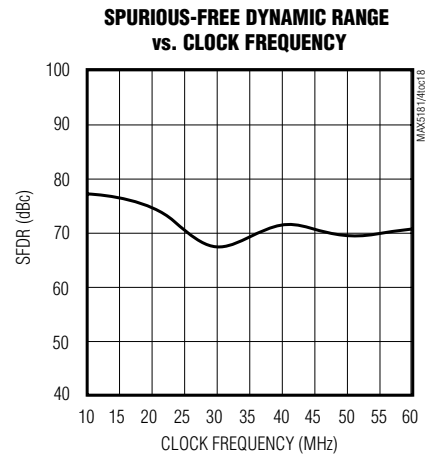
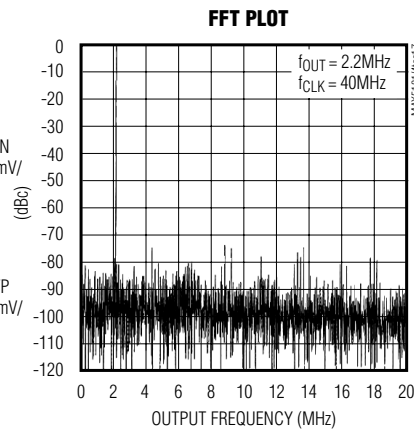
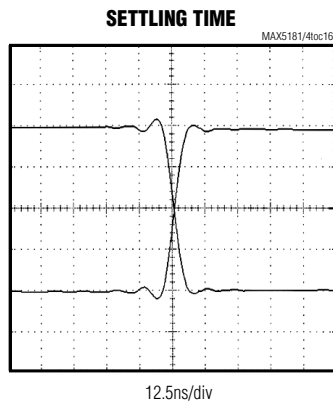
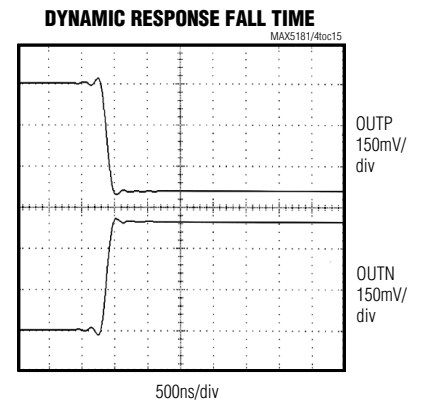
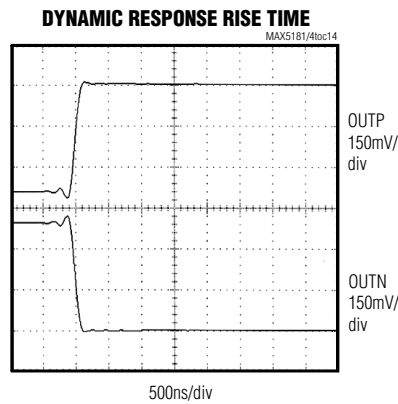
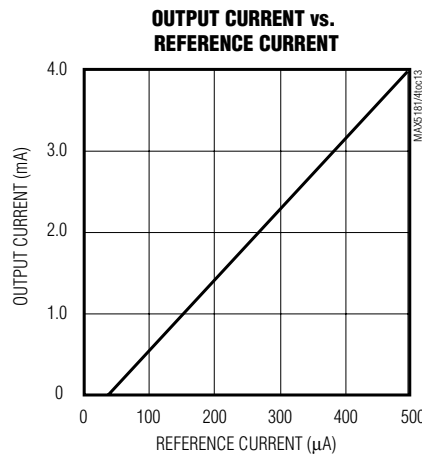
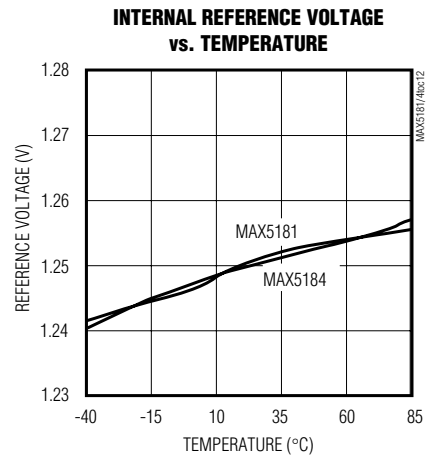
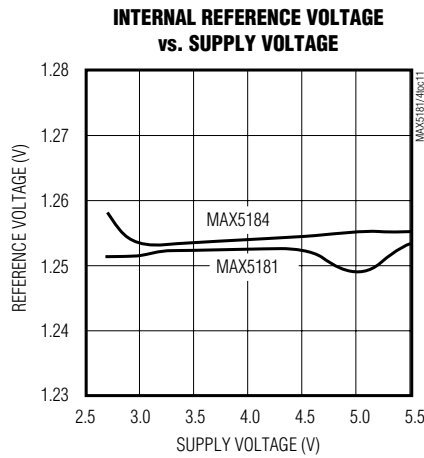
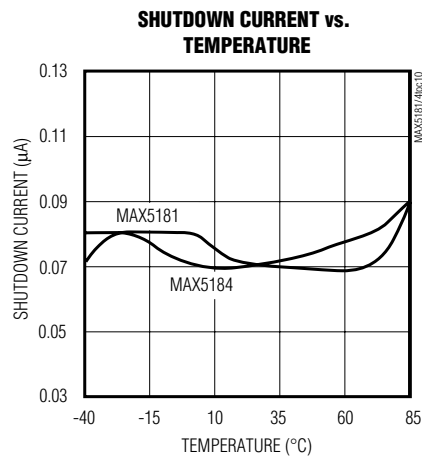


10-Bit, 40MHz, Current/Voltage-Output DACs

Typical Operating Characteristics (continued)

($V_{DD} = DV_{DD} = +3V$, $AGND = DGND = 0$, $I_{FS} = 1mA$, 400Ω differential output, $C_L = 5pF$, $T_A = +25^\circ C$, unless otherwise noted.)

MAX5181/MAX5184

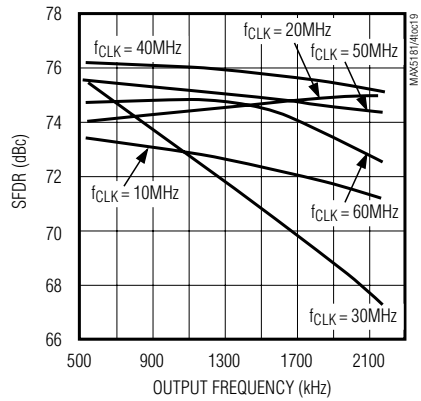


10-Bit, 40MHz, Current/Voltage-Output DACs

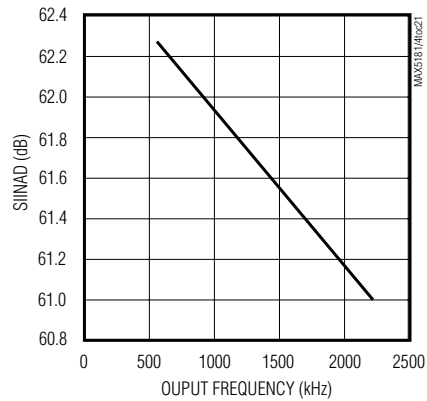
Typical Operating Characteristics (continued)

($V_{DD} = DV_{DD} = +3V$, $AGND = DGND = 0$, $I_{FS} = 1mA$, 400Ω differential output, $C_L = 5pF$, $T_A = +25^\circ C$, unless otherwise noted.)

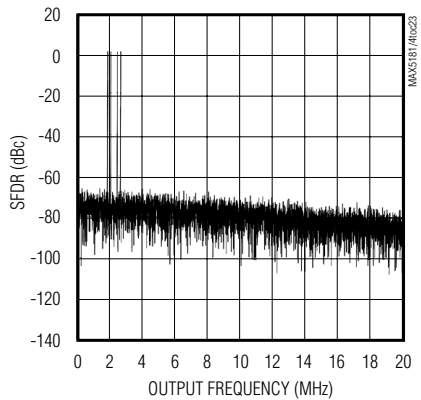
SPURIOUS-FREE DYNAMIC RANGE vs. OUTPUT FREQUENCY AND CLOCK FREQUENCY



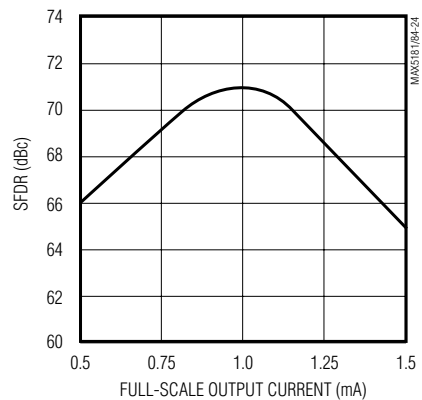
SIGNAL-TO-NOISE PLUS DISTORTION vs. OUTPUT FREQUENCY



MULTITONE SPURIOUS-FREE DYNAMIC RANGE vs. OUTPUT FREQUENCY



SPURIOUS-FREE DYNAMIC RANGE vs. FULL-SCALE OUTPUT CURRENT



10-Bit, 40MHz, Current/Voltage-Output DACs

Pin Description

MAX5181/MAX5184

| PIN | NAME | FUNCTION |
|-------|------------------|---|
| 1 | CREF | REFO |
| 2 | OUTP | Positive Analog Output. Current output for MAX5181; voltage output for MAX5184. |
| 3 | OUTN | Negative Analog Output. Current output for MAX5181; voltage output for MAX5184. |
| 4 | AGND | Analog Ground |
| 5 | AVDD | Analog Positive Supply, +2.7V to +3.3V |
| 6 | DACEN | DAC Enable, Digital Input 0: Enter DAC standby mode with PD = DGND 1: Power-up DAC with PD = DGND X: Enter shutdown mode with PD = DVDD (X = don't care) |
| 7 | PD | Power-Down Select 0: Enter DAC standby mode (DACEN = DGND) or power-up DAC (DACEN = DVDD) 1: Enter shutdown mode |
| 8 | \overline{CS} | Active-Low Chip Select |
| 9 | CLK | Clock Input |
| 10 | \overline{REN} | Active-Low Reference Enable. Connect to DGND to activate on-chip +1.2V reference. |
| 11 | D0 | Data Bit D0 (LSB) |
| 12–19 | D1–D8 | Data Bits D1–D8 |
| 20 | D9 | Data Bit D9 (MSB) |
| 21 | DVDD | Digital Supply, +2.7V to +3.3V |
| 22 | DGND | Digital Ground |
| 23 | REFR | Reference Input |
| 24 | REFO | Reference Output |

10-Bit, 40MHz, Current/Voltage-Output DACs

Detailed Description

The MAX5181/MAX5184 are 10-bit digital-to-analog converters (DACs) capable of operating with clock speeds up to 40MHz. Each converter consists of separate input and DAC registers, followed by a current source array capable of generating up to 1.5mA full-scale output current (Figure 1). An integrated +1.2V voltage reference and control amplifier determine the data converters' full-scale output currents/voltages. Careful reference design ensures close gain matching and excellent drift characteristics. The MAX5184's voltage output operation features matched 400Ω on-chip resistors that convert the current-array current into a voltage.

Internal Reference and Control Amplifier

The MAX5181/MAX5184 provide an integrated 50ppm/°C, +1.2V, low-noise bandgap reference that can be disabled and overridden by an external reference voltage. REFO serves either as an external reference input or an integrated reference output. If $\overline{\text{REN}}$ is connected to DGND, the internal reference is selected and REFO

provides a +1.2V output. Due to its limited 10μA output drive capability, REFO must be buffered with an external amplifier if heavier loading is required.

The MAX5181/MAX5184 also employ a control amplifier designed to regulate simultaneously the full-scale output current (I_{FS}) for both outputs of the devices. The output current is calculated as follows:

$$I_{FS} = 8 \cdot I_{REF}$$

where I_{REF} is the reference output current ($I_{REF} = V_{REF0}/R_{SET}$) and I_{FS} is the full-scale output current. R_{SET} is the reference resistor that determines the amplifier's output current on the MAX5181 (Figure 2). This current is mirrored into the current source array, where it is equally distributed between matched current segments and summed to valid output current readings for the DACs.

The MAX5184 converts this output current into a differential output voltage (V_{OUT}) with two internal, ground-referenced 400Ω load resistors. Using the internal +1.2V reference voltage, the MAX5184's integrated

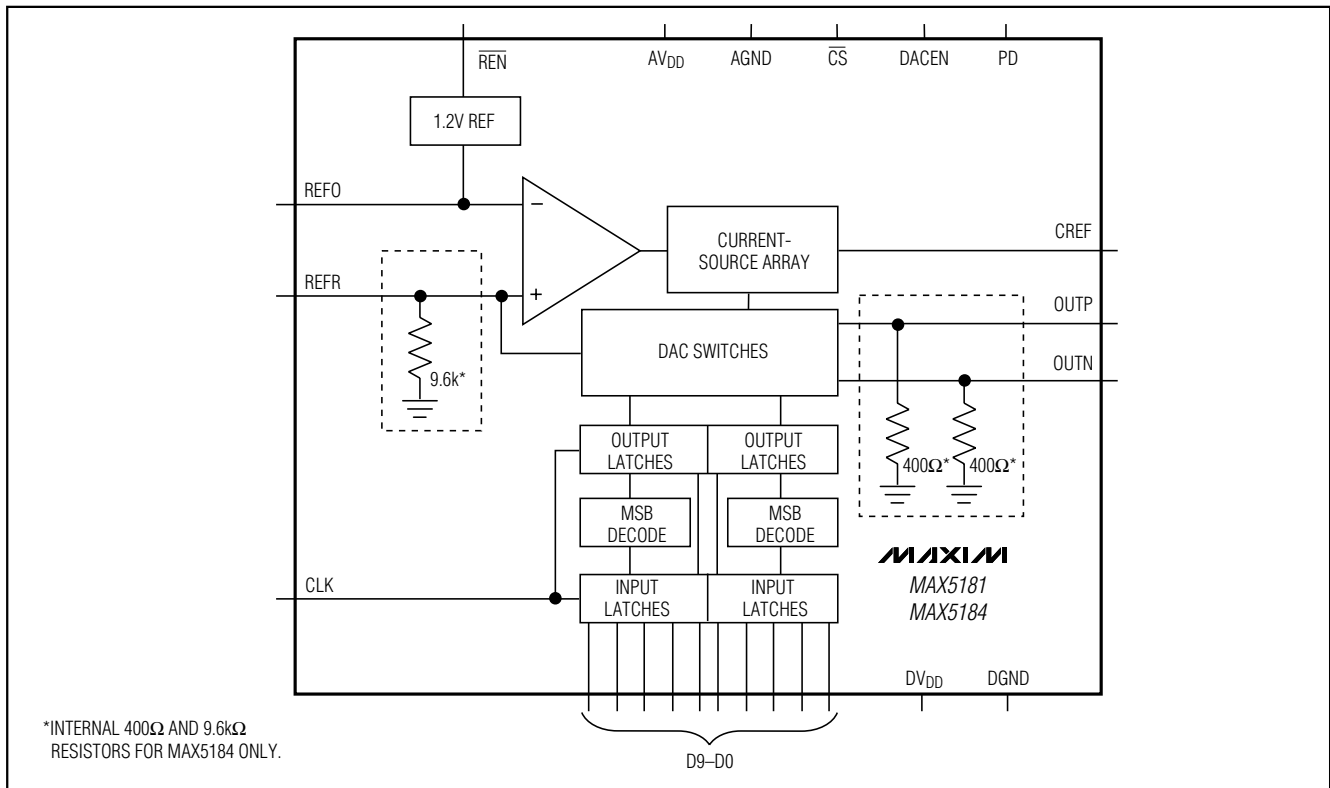


Figure 1. Functional Diagram

10-Bit, 40MHz, Current/Voltage-Output DACs

reference output-current resistor ($R_{SET} = 9.6k\Omega$) sets I_{REF} to $125\mu A$ and I_{FS} to $1mA$.

External Reference

To disable the MAX5181/MAX5184's internal reference, connect \overline{REN} to DV_{DD} . A temperature-stable, external reference may now be applied to drive the REFO pin to set the full-scale output (Figure 3). Choose a reference capable of supplying at least $150\mu A$ to drive the bias circuit that generates the cascode current for the current array. For improved accuracy and drift performance, choose a fixed output voltage reference such as the $+1.2V$, $25ppm/^{\circ}C$ MAX6520 bandgap reference.

Standby Mode

To enter the lower-power standby mode, connect digital inputs PD and DACEN to DGND. In standby, both the reference and the control amplifier are active with the current array inactive. To exit this condition, DACEN must be pulled high with PD held at DGND. The MAX5181/MAX5184 typically require $50\mu s$ to wake up and let both outputs and the reference settle.

Shutdown Mode

For lowest power consumption, the MAX5181/MAX5184 provide a power-down mode in which the reference, control amplifier, and current array are inactive and the DAC

supply current is reduced to $1\mu A$. To enter this mode, connect PD to DV_{DD} . To return to active mode, connect PD to DGND and DACEN to DV_{DD} . About $50\mu s$ are required for the parts to leave shutdown mode and settle to their outputs' values prior to shutdown. Table 1 lists the power-down mode selection.

Timing Information

Figure 4 shows a detailed timing diagram for the MAX5181/MAX5184. With each high transition of the clock, the input latch is loaded with the digital value set by bits D9 through D0. The content of the input latch is then shifted to the DAC register, and the output updates at the rising edge of the next clock.

Outputs

The MAX5181 output is designed to supply full-scale output currents of $1mA$ into 400Ω loads in parallel with a capacitive load of $5pF$. The MAX5184 features integrated 400Ω resistors that restore the array current to proportional, differential voltages of $400mV$. These differential output voltages can then be used to drive a balun transformer or a low-distortion, high-speed operational amplifier to convert the differential voltage into a single-ended voltage.

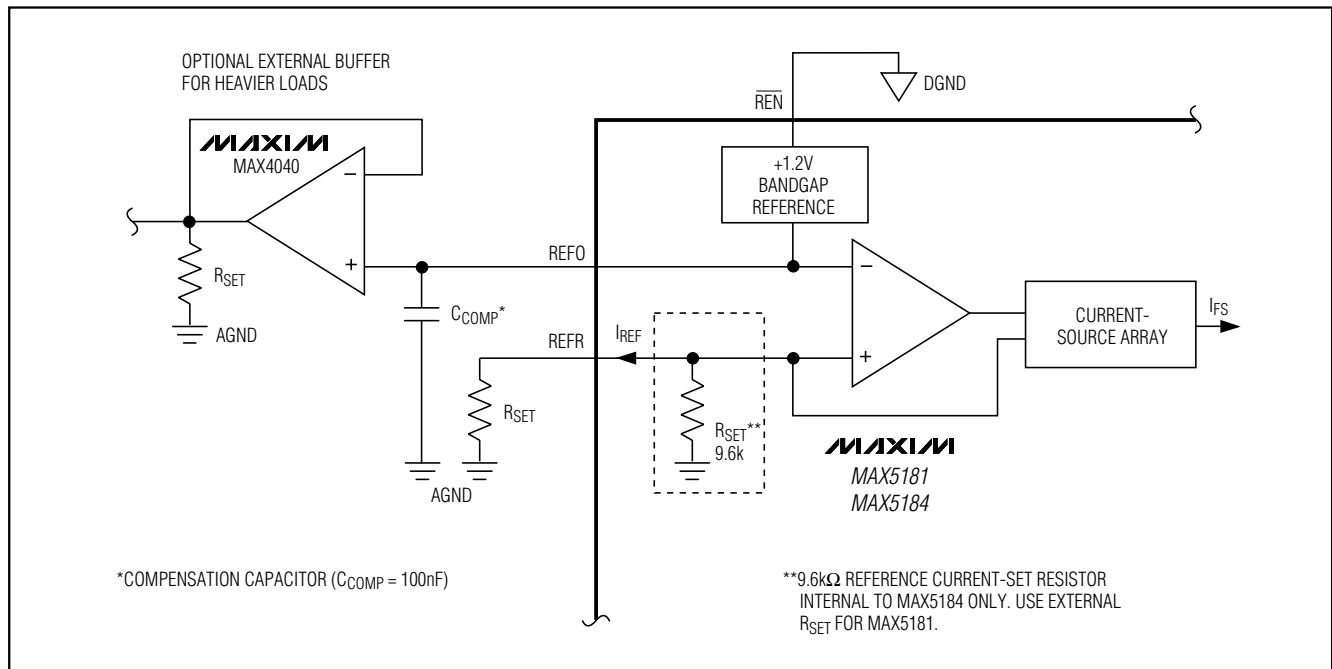


Figure 2. Setting I_{FS} with the Internal $+1.2V$ Reference and the Control Amplifier

10-Bit, 40MHz, Current/Voltage-Output DACs

Table 1. Power-Down Mode Selection

| PD (POWER-DOWN SELECT) | DACEN (DAC ENABLE) | POWER-DOWN MODE | OUTPUT STATE | |
|------------------------|--------------------|-----------------|----------------------------------|--------|
| 0 | 0 | Standby | MAX5181 | High-Z |
| | | | MAX5184 | AGND |
| 0 | 1 | Wake-Up | Last state prior to standby mode | |
| 1 | X | Shutdown | MAX5181 | High-Z |
| | | | MAX5184 | AGND |

X = Don't care

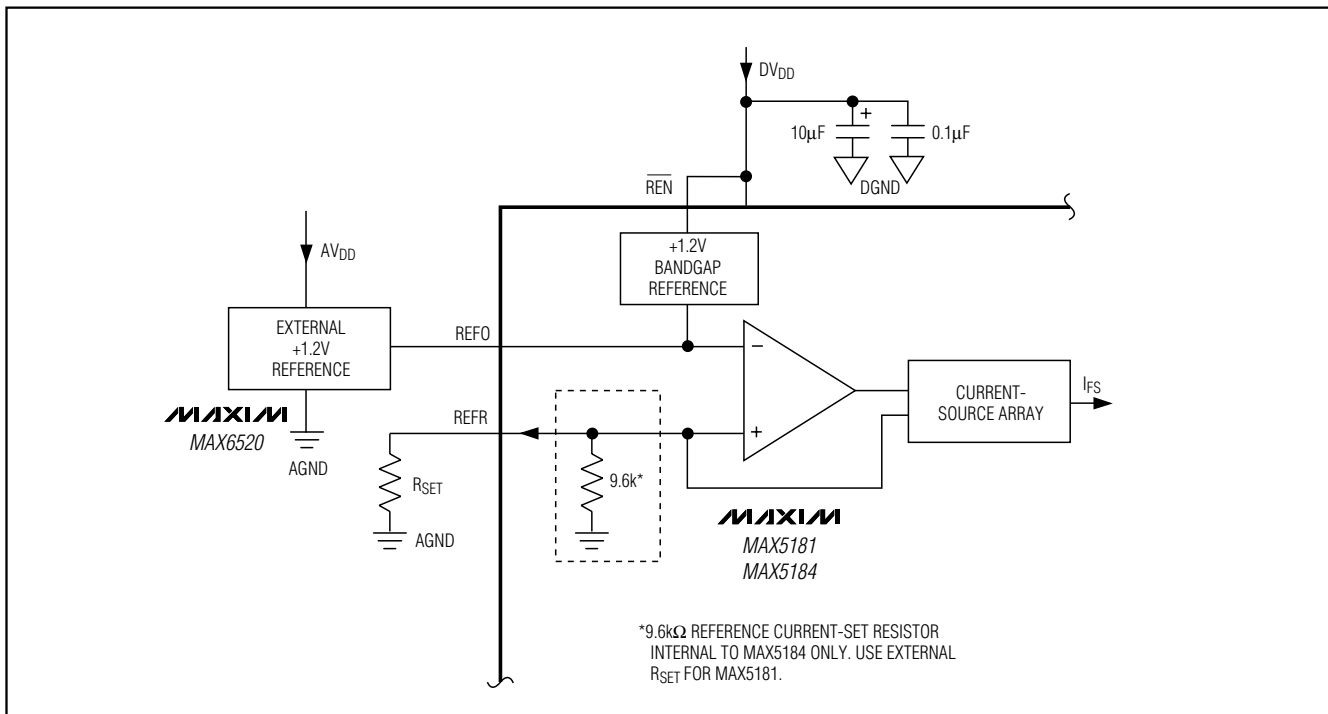


Figure 3. MAX5181/MAX5184 with External Reference

Applications Information

Static and Dynamic Performance Definitions

Integral Nonlinearity

Integral nonlinearity (INL) (Figure 5a) is the deviation of the values on an actual transfer function from either a best-straight-line fit (closest approximation to the actual transfer curve) or a line drawn between the endpoints of the transfer function once offset and gain errors have

been nullified. For a DAC, the deviations are measured every single step.

Differential Nonlinearity

Differential nonlinearity (DNL) (Figure 5b) is the difference between an actual step height and the ideal value of 1LSB. A DNL error specification of less than 1LSB guarantees no missing codes and a monotonic transfer function.

10-Bit, 40MHz, Current/Voltage-Output DACs

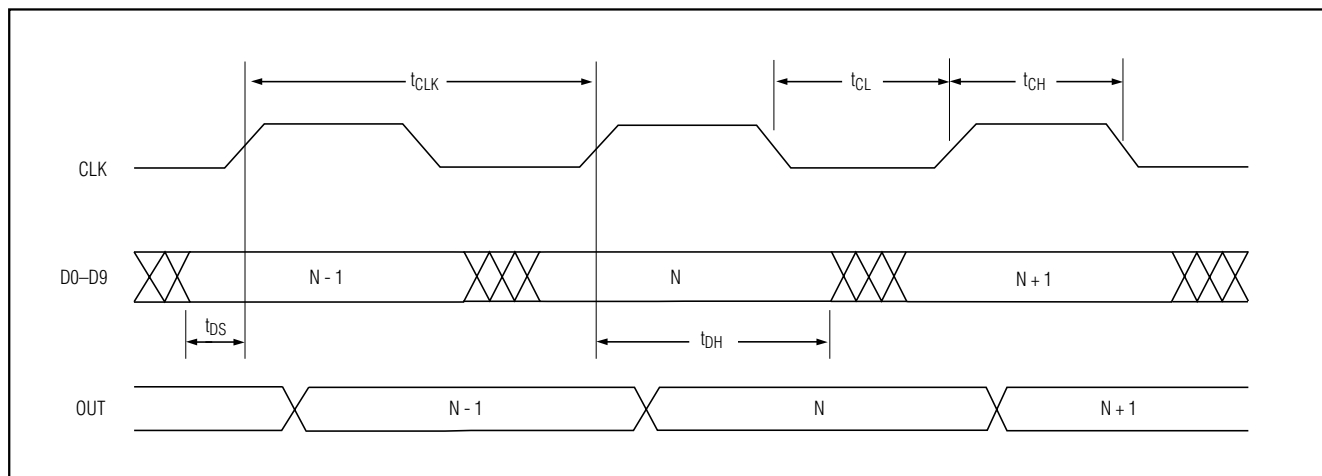


Figure 4. Timing Diagram

Offset Error

Offset error (Figure 5c) is the difference between the ideal and the actual offset point. For a DAC, the offset point is the step value when the digital input is zero. This error affects all codes by the same amount and can usually be compensated by trimming.

Gain Error

Gain error (Figure 5d) is the difference between the ideal and the actual full-scale output voltage on the transfer curve, after nullifying the offset error. This error alters the slope of the transfer function and corresponds to the same percentage error in each step.

Settling Time

Settling time is the amount of time required from the start of a transition until the DAC output settles its new output value to within the converter's specified accuracy.

Digital Feedthrough

Digital feedthrough is the noise generated on a DAC's output when any digital input transitions. Proper board layout and grounding will significantly reduce this noise, but there will always be some feedthrough caused by the DAC itself.

Total Harmonic Distortion

Total harmonic distortion (THD) is the ratio of the RMS sum of the input signal's first five harmonics to the fundamental itself. This is expressed as:

$$THD = 20 \cdot \log \left(\frac{\sqrt{V_2^2 + V_3^2 + V_4^2 + V_5^2}}{V_1} \right)$$

where V_1 is the fundamental amplitude, and V_2 through V_5 are the amplitudes of the 2nd- through 5th-order harmonics.

Spurious-Free Dynamic Range

Spurious-free dynamic range (SFDR) is the ratio of RMS amplitude of the fundamental (maximum signal component) to the RMS value of the next-largest distortion component.

Differential to Single-Ended Conversion

The MAX4108 low-distortion, high-input bandwidth amplifier may be used to generate a voltage from the array current output of the MAX5181. The differential voltage across OUP1 and OUP2 is converted into a single-ended voltage by designing an appropriate operational amplifier configuration (Figure 6).

I/Q Reconstruction in a QAM Application

The low-distortion performance of two MAX5181/MAX5184s supports analog reconstruction of in-phase (I) and quadrature (Q) carrier components typically used in quadrature amplitude modulation (QAM) architectures where two separate buses carry the I and Q data. A QAM signal is both amplitude (AM) and phase modulated, created by summing two independently modulated carriers of identical frequency but different phase (90° phase difference).

In a typical QAM application (Figure 7), the modulation occurs in the digital domain, and two DACs such as the MAX5181/MAX5184 may be used to reconstruct the analog I and Q components.

10-Bit, 40MHz, Current/Voltage-Output DACs

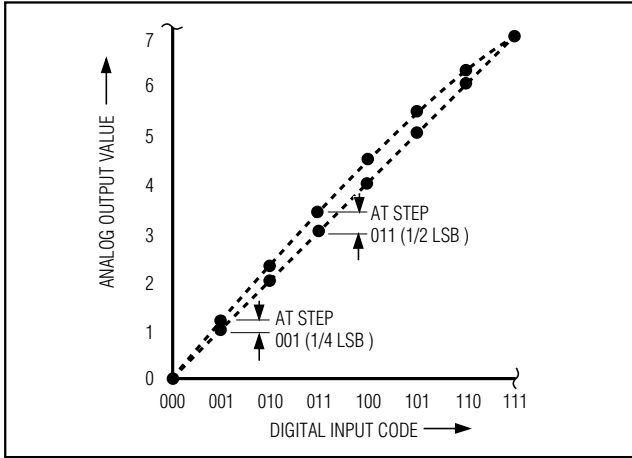


Figure 5a. Integral Nonlinearity

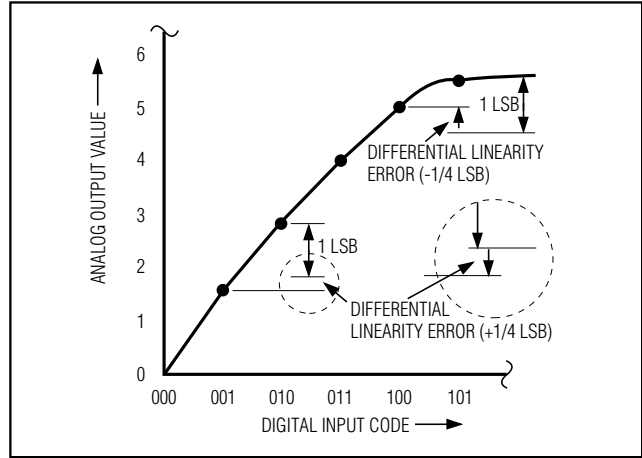


Figure 5b. Differential Nonlinearity

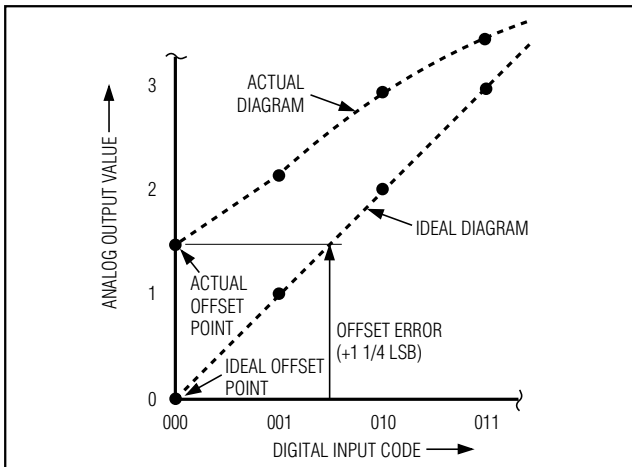


Figure 5c. Offset Error

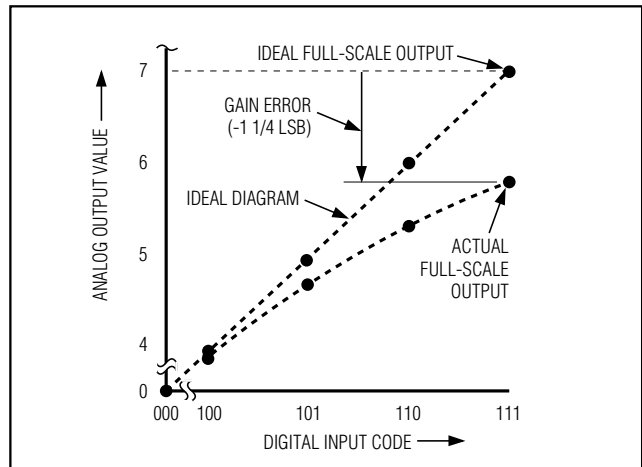


Figure 5d. Gain Error

The I/Q reconstruction system is completed by a quadrature modulator that combines the reconstructed components with in-phase and quadrature carrier frequencies and then sums both outputs to provide the QAM signal.

Using the MAX5181/MAX5184 for Arbitrary Waveform Generation

Designing a traditional arbitrary waveform generator (AWG) requires five major functional blocks (Figure 8a): clock generator, counter, waveform memory, DAC for waveform reconstruction, and output filter. The waveform memory contains the sequentially stored digital

replica of the desired analog waveforms. This memory shares a common clock with the DAC.

For each clock cycle, a counter adds one count to the address for the waveform memory. The memory then loads the next value to the DAC, which generates an analog output voltage corresponding to that data value. A DAC output filter can either be a simple or complex lowpass filter, depending on the AWG requirements for waveform function and frequencies. The main limitations of the AWG's flexibility are DAC resolution and dynamic performance, memory length, clock frequency, and the filter characteristics.

Although the MAX5181/MAX5184 offer high-frequency operation and excellent dynamics, they are suitable for

10-Bit, 40MHz, Current/Voltage-Output DACs

MAX5181/MAX5184

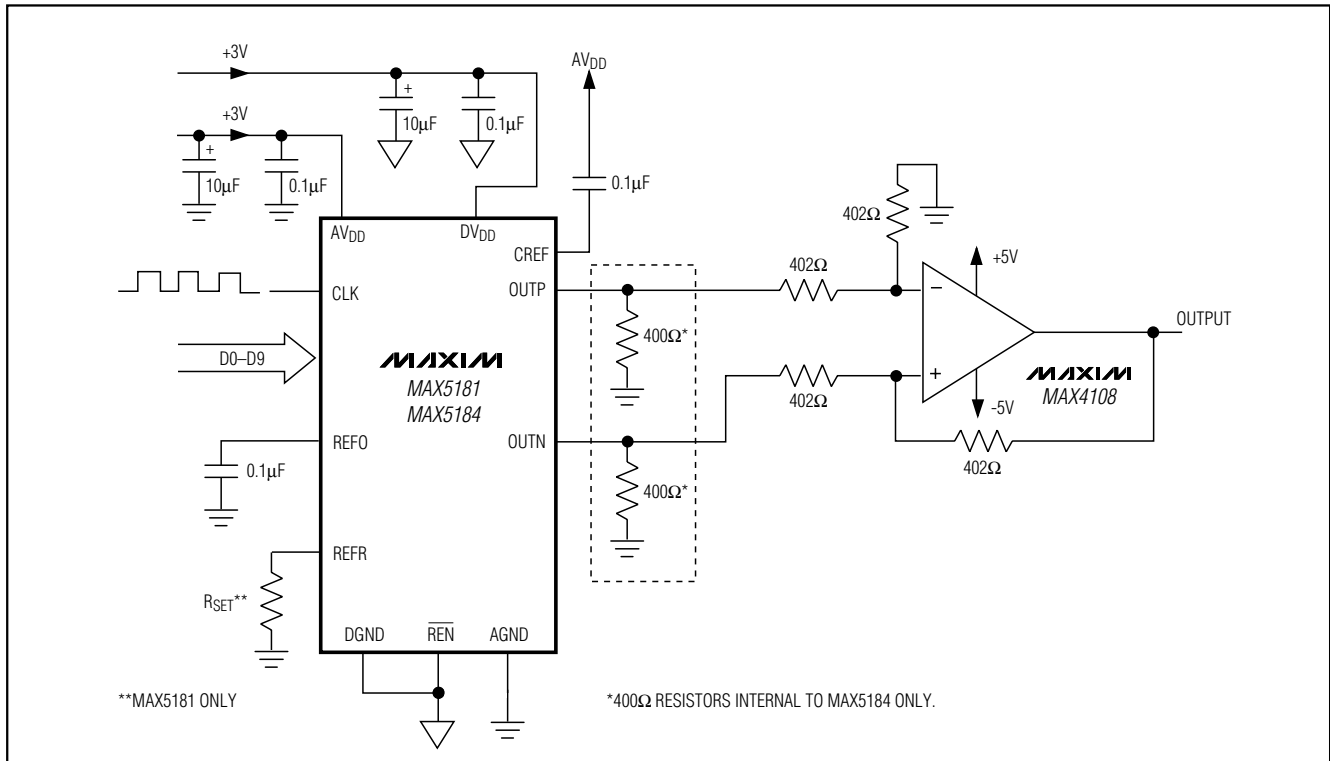


Figure 6. Differential to Single-Ended Conversion Using a Low-Distortion Amplifier

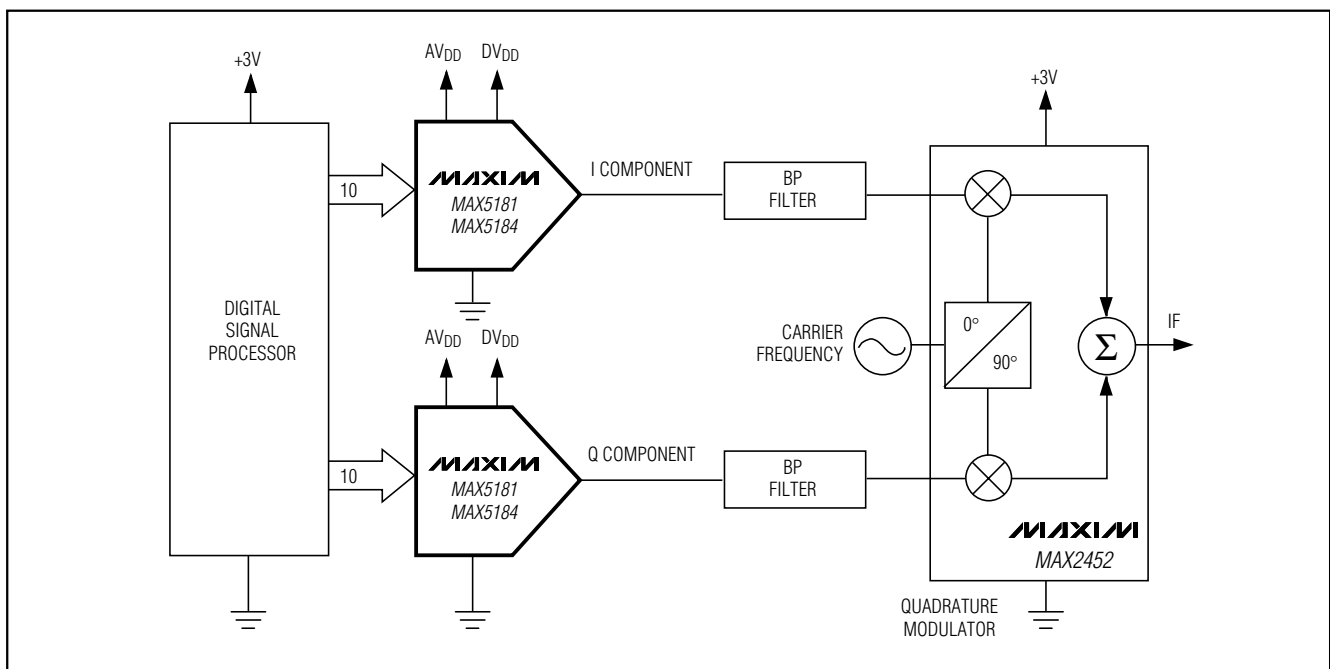


Figure 7. Using the MAX5181/MAX5184 for I/Q Signal Reconstruction

10-Bit, 40MHz, Current/Voltage-Output DACs

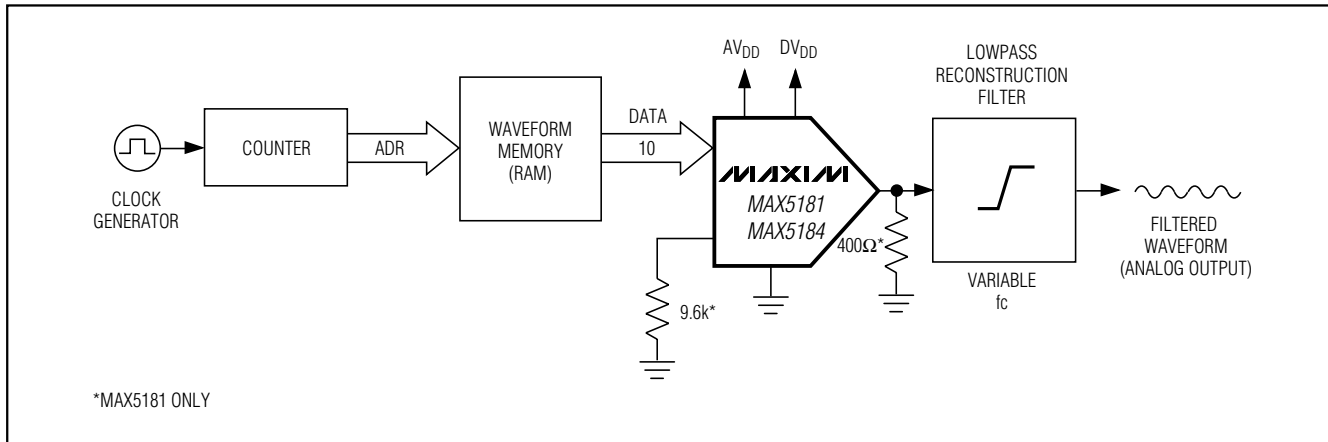


Figure 8a. Traditional Arbitrary Waveform Generation

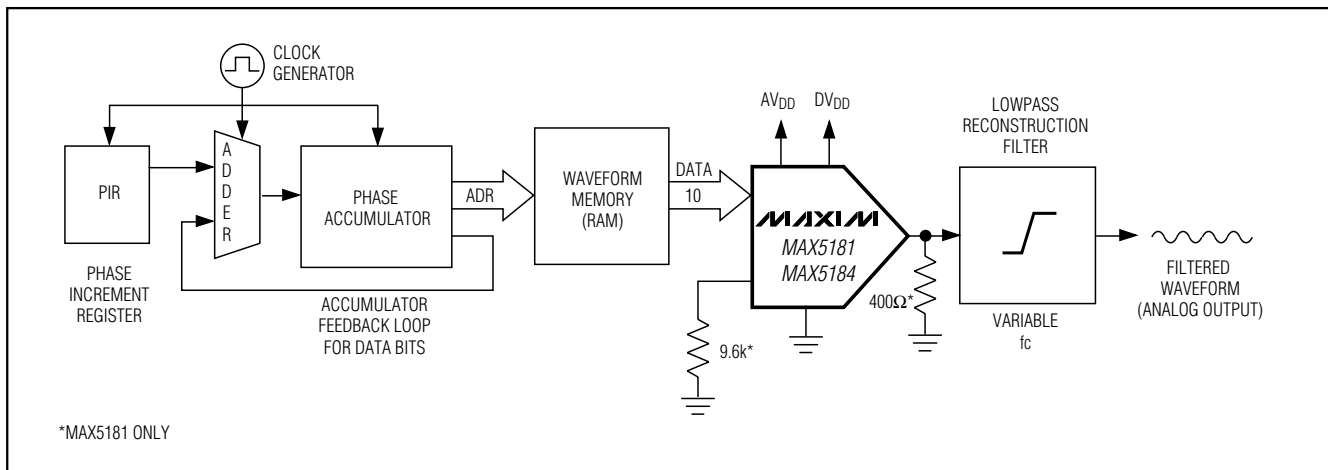


Figure 8b. Direct Digital Synthesis AWG

relaxed requirements in resolution (10-bit AWGs). To increase an AWG's high-frequency accuracy, temperature stability, wide-band tuning, and past phase-continuous frequency switching, the user may approach a direct digital synthesis (DDS) AWG (Figure 8b). This DDS loop supports standard waveforms that are repetitive, such as sine, square, TTL, and triangular waveforms. DDS allows for precise control of the data-stream input to the DAC. Data for one complete output waveform cycle is sequentially stored in a RAM. As the RAM addresses are changing, the DAC converts the incoming data bits into a corresponding voltage waveform. The resulting output signal frequency is proportional to the frequency rate at which the RAM addresses are changed.

Grounding and Power-Supply Decoupling

Grounding and power-supply decoupling strongly influence the MAX5181/MAX5184's performance. Unwanted digital crosstalk may couple through the input, reference, power-supply, and ground connections, which may affect dynamic specifications like SNR or SFDR. In addition, electromagnetic interference (EMI) can either couple into or be generated by the MAX5181/MAX5184. Therefore, grounding and power-supply decoupling guidelines for high-speed, high-frequency applications should be closely followed.

First, a multilayer PC board with separate ground and power-supply planes is recommended. High-speed signals should be run on controlled impedance lines

10-Bit, 40MHz, Current/Voltage-Output DACs

directly above the ground plane. Since the MAX5181/MAX5184 have separate analog and digital ground buses (AGND and DGND, respectively), the PC board should also have separate analog and digital ground sections with only one point connecting the two. Digital signals should run above the digital ground plane, and analog signals should run above the analog ground plane.

Both devices have two power-supply inputs: analog V_{DD} (AV_{DD}) and digital V_{DD} (DV_{DD}). Each AV_{DD} input should be decoupled with parallel $10\mu\text{F}$ and $0.1\mu\text{F}$ ceramic-chip capacitors. These capacitors should be as close to the pin as possible, and their opposite ends should be as close as possible to the ground plane. The DV_{DD} pins should also have separate $10\mu\text{F}$ and $0.1\mu\text{F}$ capacitors adjacent to their respective pins. Try to minimize analog load capacitance for proper operation. For best performance, bypass with low-ESR $0.1\mu\text{F}$ capacitors to AV_{DD} .

The power-supply voltages should also be decoupled with large tantalum or electrolytic capacitors at the point they enter the PC board. Ferrite beads with additional decoupling capacitors forming a pi network can also improve performance.

Chip Information

TRANSISTOR COUNT: 9464

SUBSTRATE CONNECTED TO AGND

MAX5181/MAX5184

10-Bit, 40MHz, Current/Voltage-Output DACs

Package Information

| DIM | INCHES | | MILLIMETERS | |
|-----|----------------|-------|-------------|-------|
| | MIN | MAX | MIN | MAX |
| A | .061 | .068 | 1.55 | 1.73 |
| A1 | .004 | .0098 | 0.102 | 0.249 |
| A2 | .055 | .061 | 1.40 | 1.55 |
| B | .008 | .012 | 0.20 | 0.31 |
| C | .0075 | .0098 | 0.191 | 0.249 |
| D | SEE VARIATIONS | | | |
| E | .150 | .157 | 3.81 | 3.99 |
| e | .025 BSC | | 0.635 BSC | |
| H | .230 | .244 | 5.84 | 6.20 |
| h | .010 | .016 | 0.25 | 0.41 |
| L | .016 | .035 | 0.41 | 0.89 |
| N | SEE VARIATIONS | | | |
| X | SEE VARIATIONS | | | |
| Y | .071 | .087 | 1.803 | 2.209 |
| α | 0° | 8° | 0° | 8° |

VARIATIONS:

| DIM | INCHES | | MILLIMETERS | | N |
|-----|--------|-------|-------------|-------|-------|
| | MIN. | MAX. | MIN. | MAX. | |
| D | .189 | .196 | 4.80 | 4.98 | 16 AA |
| S | .0020 | .0070 | 0.05 | 0.18 | |
| X | .107 | .123 | 2.72 | 3.12 | |
| D | .337 | .344 | 8.56 | 8.74 | 20 AB |
| S | .0500 | .0550 | 1.270 | 1.397 | |
| D | .337 | .344 | 8.56 | 8.74 | 24 AC |
| S | .0250 | .0300 | 0.635 | 0.762 | |
| D | .386 | .393 | 9.80 | 9.98 | 28 AD |
| S | .0250 | .0300 | 0.635 | 0.762 | |
| X | .271 | .287 | 6.88 | 7.29 | |

NOTES:

- D & E DO NOT INCLUDE MOLD FLASH OR PROTRUSIONS
- MOLD FLASH OR PROTRUSIONS NOT TO EXCEED .006" PER SIDE.
- HEAT SLUG DIMENSIONS X AND Y APPLY ONLY TO 16 AND 28 LEAD POWER-QSOP PACKAGES.
- CONTROLLING DIMENSIONS: INCHES.

| | | | |
|---|----------------------|-----|-----|
| MAXIM | | | |
| PROPRIETARY INFORMATION | | | |
| TITLE: | | | |
| PACKAGE OUTLINE, QSOP, 150°, .025" LEAD PITCH | | | |
| APPROVAL | DOCUMENT CONTROL NO. | REV | 1/1 |
| | 21-0055 | B | |

QSOP:EPS

Maxim cannot assume responsibility for use of any circuitry other than circuitry entirely embodied in a Maxim product. No circuit patent licenses are implied. Maxim reserves the right to change the circuitry and specifications without notice at any time.

16 _____ **Maxim Integrated Products, 120 San Gabriel Drive, Sunnyvale, CA 94086 408-737-7600**