

33390

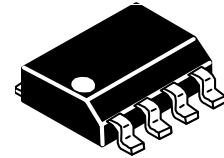
## Class B Serial Transceiver

The 33390 is a serial transceiver designed to provide bi-directional half-duplex communication meeting the automotive SAE Standard J-1850 Class B Data Communication Network Interface specification. It is designed to interface directly to on-board vehicle microcontrollers and serves to transmit and receive data on a single-wire bus at data rates of 10.4 kbps using Variable Pulse Width Modulation (VPWM). The 33390 operates directly from a vehicle's 12 V battery system and functions in a logic fashion as an I/O interface between the microcontroller's 5.0 V CMOS logic level swings and the required 0 V to 7.0 V waveshaped signal swings of the bus. The bus output driver is short circuit current limited.

### Features

- Designed for SAE J-1850 Class B Data Rates
- Full Operational Bus Dynamics Over a Supply Voltage of 9.0 to 16 V
- Ambient Operating Temperature of -40°C to 125°C
- Interfaces Directly to Standard 5.0 V CMOS Microcontroller
- BUS Pin Protected Against Shorts to Battery and Ground
- Thermal Shutdown with Hysteresis
- Voltage Waveshaping of Bus Output Driver
- 40 V Max  $V_{BAT}$  Capability

J-1850 SERIAL TRANSCEIVER

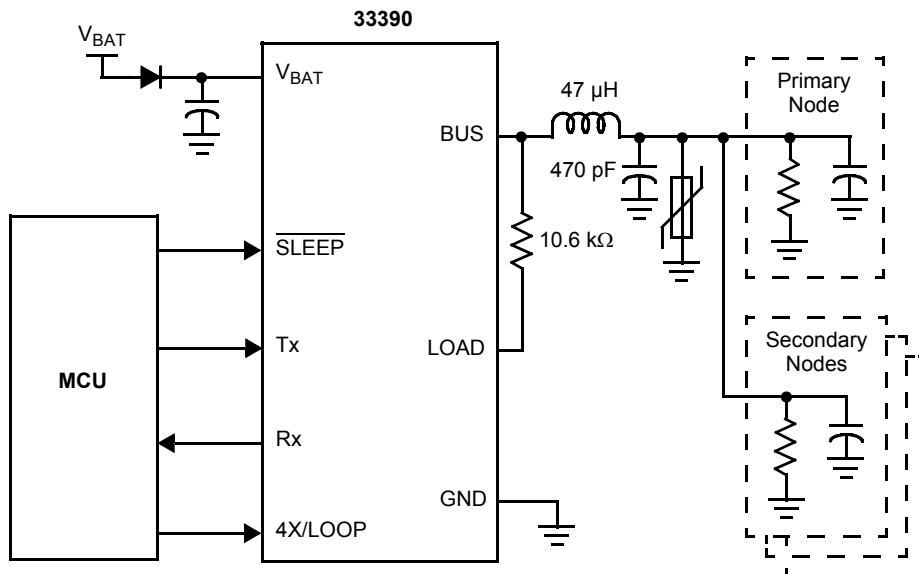


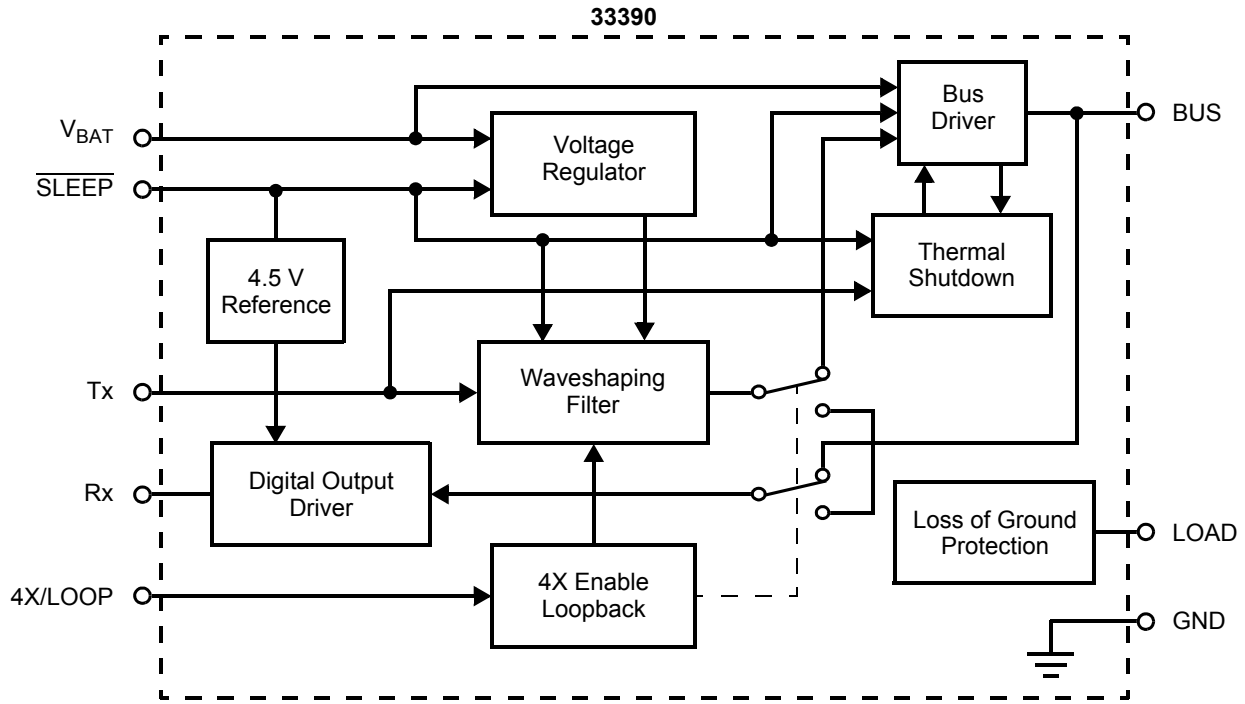
D SUFFIX  
PLASTIC PACKAGE  
CASE 751  
(8-LEAD SOICN)

### ORDERING INFORMATION

| Device       | Temperature Range ( $T_A$ ) | Package |
|--------------|-----------------------------|---------|
| MC33390D/DR2 | -40 to 125°C                | 8 SOICN |

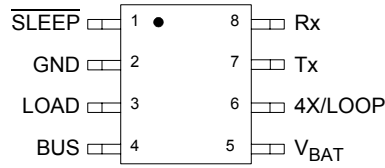
33390 Simplified Application Diagram





**Note** This device contains approximately 400 active transistors and 250 gates.

**Figure 1. 33390 Simplified Block Diagram**



## PIN FUNCTION DESCRIPTION

| Pin | Pin Name                  | Description  |
|-----|---------------------------|--|
| 1   | $\overline{\text{SLEEP}}$ | Enables the transceiver when Logic 1 and disables the transceiver when Logic 0.  |
| 2   | GND                       | Device ground pin.   |
| 3   | LOAD                      | Accommodates an external pull-down resistor to ground to provide loss of ground protection.  |
| 4   | BUS                       | Waveshaped SAE Standard J-1850 Class B transmitter output and receiver input.  |
| 5   | $V_{\text{BAT}}$          | Provides device operating input power.   |
| 6   | 4X/LOOP                   | Tristate input mode control; Logic 0 = normal waveshaping, Logic 1 = waveshaping disabled for 4X transmitting, high impedance = loopback mode. |
| 7   | Tx                        | Serial data input (DI) from the microcontroller to be transmitted onto Bus.  |
| 8   | Rx                        | Bus received serial data output (DO) sent to the microcontroller.  |

## MAXIMUM RATINGS

All voltages are with respect to ground unless otherwise noted.

| Rating                                      | Symbol                | Value       | Unit |
|---|-----------------------|-------------|------|
| V <sub>BAT</sub> DC Supply Voltage (Note 1) | V <sub>BAT</sub>      | -0.3 to 40  | V    |
| Input I/O Terminals (Note 2)                | V <sub>I/O(CPU)</sub> | -0.3 to 7.0 | V    |
| BUS and LOAD Outputs                        | V <sub>BUS</sub>      | -2.0 to 16  | V    |
| ESD Voltage                                 |                       |             | V    |
| Human Body Model (Note 3)                   | V <sub>ESD1</sub>     | ±2000       |      |
| Machine Model (Note 4)                      | V <sub>ESD2</sub>     | ±200        |      |
| Storage Temperature                         | T <sub>STG</sub>      | -65 to 150  | °C   |
| Operating Ambient Temperature               | T <sub>A</sub>        | -40 to 125  | °C   |
| Operating Junction Temperature              | T <sub>J</sub>        | -40 to 150  | °C   |
| Soldering Temperature (for 10 seconds)      | T <sub>SOLDER</sub>   | 260         | °C   |
| Thermal Resistance (Junction-to-Ambient)    | R <sub>θJ-A</sub>     | 180         | °C/W |

### Notes

1. An external series diode must be used to provide reverse battery protection of the device.
2. SLEEP, TX, RX, and 4X/LOOP are normally connected to a microcontroller.
3. ESD1 testing is performed in accordance with the Human Body Model (C<sub>ZAP</sub>=100 pF, R<sub>ZAP</sub>=1500 Ω).
4. ESD2 testing is performed in accordance with the Machine Model (C<sub>ZAP</sub>=200 pF, R<sub>ZAP</sub>=0 Ω).

## STATIC ELECTRICAL CHARACTERISTICS

Characteristics noted under conditions of  $7.0\text{ V} \leq V_{\text{BAT}} \leq 16\text{ V}$ ,  $-40^\circ\text{C} \leq T_A \leq 125^\circ\text{C}$ ,  $\overline{\text{SLEEP}} = 5.0\text{ V}$  unless otherwise noted. Typical values reflect the parameter's approximate midpoint average value with  $V_{\text{BAT}} = 13\text{ V}$ ,  $T_A = 25^\circ\text{C}$ . All positive currents are into the pin. All negative currents are out of the pin.

| Characteristic | Symbol | Min | Typ | Max | Unit |
|----------------|--------|-----|-----|-----|------|
|----------------|--------|-----|-----|-----|------|

### POWER CONSUMPTION

|   |   |   |      |      |               |
|---|---|---|------|------|---------------|
| Operational Battery Current (RMS with Tx = 7.812 kHz Square Wave)<br>BUS Load = 1380 $\Omega$ to GND, 3.6 nF to GND<br>BUS Load = 257 $\Omega$ to GND, 20.2 nF to GND | $I_{\text{BAT(OP1)}}$                     | – | 3.0  | 11.5 | mA            |
|   | $I_{\text{BAT(OP2)}}$                     | – | 22.4 | 32   |               |
| Battery Bus Low Input Current<br>After $\overline{\text{SLEEP}}$ Toggle Low to High; Prior to Tx Toggling<br>After Tx Toggle High to Low                              | $I_{\text{BAT(BUS L1)}}$                  | – | 1.1  | 3.0  | mA            |
|   | $I_{\text{BAT(BUS L2)}}$                  | – | 6.4  | 8.5  |               |
| Sleep State Battery Current<br>$V_{\overline{\text{SLEEP}}} = 0\text{ V}$   | $I_{\text{BAT}(\overline{\text{SLEEP}})}$ | – | 38.2 | 65   | $\mu\text{A}$ |

### BUS

|  |                             |                        |      |                  |                  |
|--|-----------------------------|------------------------|------|------------------|------------------|
| BUS Input Receiver Threshold (Note 5)<br>Threshold High (Bus Increasing until Rx $\geq 3.0\text{ V}$ )<br>Threshold Low (Bus Decreasing until Rx $\leq 3.0\text{ V}$ )<br>Threshold in Sleep State ( $\overline{\text{SLEEP}} = 0\text{ V}$ )<br>Hysteresis ( $V_{\text{BUS(IH)}} - V_{\text{BUS(IL)}}$ , $\overline{\text{SLEEP}} = 0\text{ V}$ ) | $V_{\text{BUS(IH)}}$        | 4.25                   | 3.9  | –                | V                |
|  | $V_{\text{BUS(IL)}}$        | –                      | 3.7  | 3.5              |                  |
|  | $V_{\text{BUS(TH(SLEEP))}}$ | 2.4                    | 3.0  | 3.4              |                  |
|  | $V_{\text{BUS(HYST)}}$      | 0.1                    | 0.2  | 0.6              |                  |
| BUS-Out Voltage (257 $\Omega \leq R_{\text{BUS(L)}} \leq 1380\ \Omega$ )<br>8.2 V $\leq V_{\text{BAT}} \leq 16\text{ V}$ , Tx = 5.0 V<br>4.25 V $\leq V_{\text{BAT}} \leq 8.2\text{ V}$ , Tx = 5.0 V<br>Tx = 0 V   | $V_{\text{BUS(OUT1)}}$      | 6.25                   | 6.9  | 8.0              | V                |
|  | $V_{\text{BUS(OUT2)}}$      | $V_{\text{BAT}} - 1.6$ | –    | $V_{\text{BAT}}$ |                  |
|  | $V_{\text{BUS(OUT3)}}$      | –                      | 0.27 | 0.7              |                  |
| BUS Short Circuit Output Current<br>Tx = 5.0 V, $-2.0\text{ V} \leq V_{\text{BUS}} \leq 4.8\text{ V}$  | $I_{\text{BUS(SHORT)}}$     | 60                     | 129  | 170              | mA               |
| BUS Leakage Current<br>$-2.0\text{ V} \leq V_{\text{BUS}} \leq 0\text{ V}$<br>$0\text{ V} \leq V_{\text{BUS}} \leq V_{\text{BAT}}$   | $I_{\text{BUS(LEAK1)}}$     | -500                   | -55  | –                | $\mu\text{A}$    |
|  | $I_{\text{BUS(LEAK2)}}$     | –                      | 189  | 500              |                  |
| BUS Thermal Shutdown (Note 6) (Tx = 5.0 V, $I_{\text{BUS}} = -0.1\text{ mA}$ )<br>Increase Temperature until $V_{\text{BUS}} \leq 2.5\text{ V}$  | $T_{\text{BUS(LIM)}}$       | 150                    | 170  | 190              | $^\circ\text{C}$ |
| BUS Thermal Shutdown Hysteresis (Note 7)<br>$T_{\text{BUS(LIM)}} - T_{\text{BUS(REEN)}}$   | $T_{\text{BUS(LIMHYS)}}$    | 10                     | 12   | 15               | $^\circ\text{C}$ |
| BUS and LOAD Current with Loss of $V_{\text{BAT}}$ or GND ( $I_{\text{BAT}} = 0\ \mu\text{A}$ ) (see Figure 2)<br>$-18\text{ V} \leq V_{\text{BUS}} \leq 9.0\text{ V}$<br>$-18\text{ V} \leq V_{\text{LOAD}} \leq 9.0\text{ V}$  | $I_{\text{BUS(LOSS)}}$      | –                      | 0.00 | 0.1              | mA               |
|  | $I_{\text{LOAD(LOSS)}}$     | –                      | 0.00 | 0.1              |                  |

#### Notes

- Typical threshold value is the approximate actual occurring switch point value with  $V_{\text{BAT}} = 13\text{ V}$ ,  $T_A = 25^\circ\text{C}$ .
- Device characterized but not production tested for thermal shutdown.
- Device characterized but not production tested for thermal shutdown hysteresis.

## STATIC ELECTRICAL CHARACTERISTICS (continued)

Characteristics noted under conditions of  $7.0\text{ V} \leq V_{\text{BAT}} \leq 16\text{ V}$ ,  $-40^\circ\text{C} \leq T_{\text{A}} \leq 125^\circ\text{C}$ ,  $\overline{\text{SLEEP}} = 5.0\text{ V}$  unless otherwise noted. Typical values reflect the parameter's approximate midpoint average value with  $V_{\text{BAT}} = 13\text{ V}$ ,  $T_{\text{A}} = 25^\circ\text{C}$ . All positive currents are into the pin. All negative currents are out of the pin.

| Characteristic | Symbol | Min | Typ | Max | Unit |
|----------------|--------|-----|-----|-----|------|
|----------------|--------|-----|-----|-----|------|

### BUS (continued)

|   |                  |     |      |     |   |
|---|------------------|-----|------|-----|---|
| LOAD Output<br>$I_{\text{L}} = 6.0\text{ mA}$   | $L_{\text{ON}}$  | –   | 0.07 | 0.2 | V |
| Unpowered LOAD Output<br>$V_{\text{BAT}} = 0\text{ V}$ , $I_{\text{L}} = 6.0\text{ mA}$ | $L_{\text{DIO}}$ | 0.3 | 0.56 | 0.9 | V |

### Tx

|  |  |            |             |            |               |
|--|--|------------|-------------|------------|---------------|
| Tx Input Voltage<br>Tx Input Logic Low Level<br>Tx Input Logic High Level          | $V_{\text{Tx(IL)}}$<br>$V_{\text{Tx(IH)}}$ | –<br>3.5   | –<br>–      | 0.8<br>–   | V             |
| Tx Input Current<br>$V_{\text{Tx}} = 5.0\text{ V}$<br>$V_{\text{Tx}} = 0\text{ V}$ | $I_{\text{Tx(IH)}}$<br>$I_{\text{Tx(IL)}}$ | 50<br>-2.0 | 106<br>0.23 | 200<br>2.0 | $\mu\text{A}$ |

### LOOP

|   |  |              |              |            |               |
|---|--|--------------|--------------|------------|---------------|
| 4X/LOOP Input Current<br>$V_{4\text{X/LOOP}} = 0\text{ V}$ (Normal Mode)<br>$V_{4\text{X/LOOP}} = 5.0\text{ V}$ (4X Mode) | $I_{4\text{X/LOOP(IL)}}$<br>$I_{4\text{X/LOOP(IH)}}$ | -200<br>-200 | -60<br>110   | 200<br>200 | $\mu\text{A}$ |
| 4X/LOOP Input Threshold (Tx = 4096 Hz Square Wave)<br>Normal Mode to Loopback Mode<br>Loopback Mode to 4X Mode            | $V_{4\text{X/LOOP(IL)}}$<br>$V_{4\text{X/LOOP(IH)}}$ | 1.1<br>3.2   | 1.31<br>3.43 | 1.5<br>3.6 | V             |

### Rx

|   |                       |      |      |      |    |
|---|-----------------------|------|------|------|----|
| Rx Output Voltage Low<br>$V_{\text{BUS}} = 0\text{ V}$ , $I_{\text{Rx}} = 1.6\text{ mA}$        | $V_{\text{Rx(LOW)}}$  | 0.01 | 0.18 | 0.4  | V  |
| Rx Output Voltage High<br>$V_{\text{BUS}} = 7.0\text{ V}$ , $I_{\text{Rx}} = -200\ \mu\text{A}$ | $V_{\text{Rx(HIGH)}}$ | 4.25 | 4.58 | 4.75 | V  |
| Rx Output Current<br>$V_{\text{Rx}} = \text{High}$ ; Short Circuit Protection Limits            | $I_{\text{Rx}}$       | 2.0  | 3.67 | 8.0  | mA |

### SLEEP

|   |  |          |               |            |               |
|---|--|----------|---------------|------------|---------------|
| SLEEP Input Current<br>$V_{\text{SLEEP}} = 0\text{ V}$<br>$V_{\text{SLEEP}} = 5.0\text{ V}$ | $I_{\text{SLEEP(IL)}}$<br>$I_{\text{SLEEP(IH)}}$ | –<br>1.0 | -0.23<br>6.21 | -2.0<br>20 | $\mu\text{A}$ |
|---|--|----------|---------------|------------|---------------|

## DYNAMIC ELECTRICAL CHARACTERISTICS

Characteristics noted under conditions of  $7.0\text{ V} \leq V_{\text{BAT}} \leq 16\text{ V}$ ,  $-40^\circ\text{C} \leq T_A \leq 125^\circ\text{C}$ ,  $\overline{\text{SLEEP}} = 5.0\text{ V}$  unless otherwise noted. Typical values reflect the parameter's approximate midpoint average value with  $V_{\text{BAT}} = 13\text{ V}$ ,  $T_A = 25^\circ\text{C}$ . All positive currents are into the pin. All negative currents are out of the pin.

| Characteristic | Symbol | Min | Typ | Max | Unit |
|----------------|--------|-----|-----|-----|------|
|----------------|--------|-----|-----|-----|------|

### BUS

|   |                               |            |                |          |               |
|---|-------------------------------|------------|----------------|----------|---------------|
| BUS Voltage Rise Time (Note 8) ( $9.0\text{ V} \leq V_{\text{BAT}} \leq 16\text{ V}$ , Tx = 7.812 kHz Square Wave) (see Figure 3)<br>BUS Load = 3,300 pF and 1.38 k $\Omega$ to GND<br>BUS Load = 16,500 pF and 300 $\Omega$ to GND | $t_{\text{rise}}(\text{BUS})$ | 9.0<br>9.0 | 11.15<br>11.86 | 15<br>15 | $\mu\text{s}$ |
| BUS Voltage Fall Time (Note 8) ( $9.0\text{ V} \leq V_{\text{BAT}} \leq 16\text{ V}$ , Tx = 7.812 kHz Square Wave) (see Figure 3)<br>BUS Load = 3,300 pF and 1.38 k $\Omega$ to GND<br>BUS Load = 16,500 pF and 300 $\Omega$ to GND | $t_{\text{fall}}(\text{BUS})$ | 9.0<br>9.0 | 10.50<br>11.17 | 15<br>15 | $\mu\text{s}$ |
| Pulse Width Distortion Time ( $9.0\text{ V} \leq V_{\text{BAT}} \leq 16\text{ V}$ , Tx = 7.812 kHz Square Wave) (see Figure 4)<br>BUS Load = 3,300 pF and 1.38 k $\Omega$ to GND  | $t_{\text{pwd}}(\text{BUS})$  | 35         | 62             | 93       | $\mu\text{s}$ |
| Propagation Delay<br>Tx Threshold to Rx Threshold   | $t_{\text{pd}}(\text{BUS})$   | –          | 17.7           | 25       | $\mu\text{s}$ |

### Tx

|  |  |         |             |           |               |
|--|--|---------|-------------|-----------|---------------|
| Tx to BUS Delay Time (Tx = 2.5 V to $V_{\text{BUS}} = 3.875\text{ V}$ ) (see Figure 5)<br>4X Mode<br>Normal Mode | $t_{\text{TxDelay}}$                       | –<br>13 | 2.6<br>17.3 | 4.0<br>24 | $\mu\text{s}$ |
| $\overline{\text{SLEEP}}$ to Tx Setup Time (see Figure 5)  | $t_{\text{SLEEP} \rightarrow \text{TxSU}}$ | 80      | 40          | –         | $\mu\text{s}$ |

### Rx

|   |  |        |              |            |               |
|---|--|--------|--------------|------------|---------------|
| Rx Output Delay Time (Tx = 2.5 V to $V_{\text{BUS}} = 3.875\text{ V}$ ) (see Figure 6)<br>Low-to-Output High<br>High-to-Output Low  | $t_{\text{RxDelay/L-H}}$<br>$t_{\text{RxDelay/H-L}}$ | –<br>– | 0.11<br>0.38 | 2.0<br>2.0 | $\mu\text{s}$ |
| Rx Output Transition Time ( $C_{\text{RX}} = 50\text{ pF}$ to GND, 10% and 90% Points) (see Figure 7)<br>Low-to-Output High<br>High-to-Output Low   | $t_{\text{RxTrans/L-H}}$<br>$t_{\text{RxTrans/H-L}}$ | –<br>– | 0.34<br>0.08 | 1.0<br>1.0 | $\mu\text{s}$ |
| Rx Output Transition Time (Note 9) ( $C_{\text{RX}} = 50\text{ pF}$ to GND, $\overline{\text{SLEEP}} = 0\text{ V}$ , 10% and 90% Points) (see Figure 7)<br>Low-to-Output High<br>High-to-Output Low | $t_{\text{RxTrans/L-H}}$<br>$t_{\text{RxTrans/H-L}}$ | –<br>– | 0.32<br>0.08 | 5.0<br>5.0 | $\mu\text{s}$ |

#### Notes

8. Typical is the parameter's approximate average value with  $V_{\text{BAT}} = 13\text{ V}$ ,  $T_A = 25^\circ\text{C}$ .
9. Rx Output Transition Time from a sleep state.

Electrical Performance Curves

Test Figures

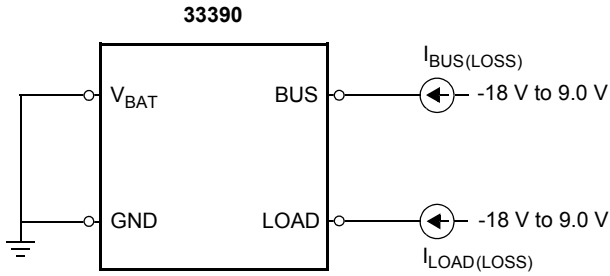


Figure 2. Loss of Ground or  $V_{BAT}$  Test Circuit

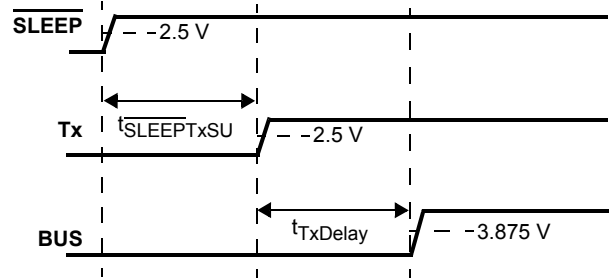


Figure 5.  $\overline{\text{SLEEP}}$  to Tx Delay Times

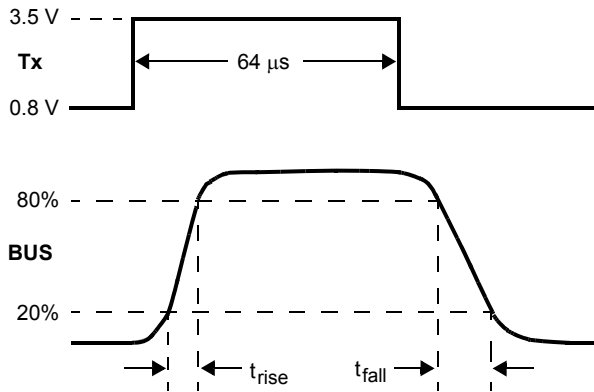


Figure 3. BUS Rise and Fall Times

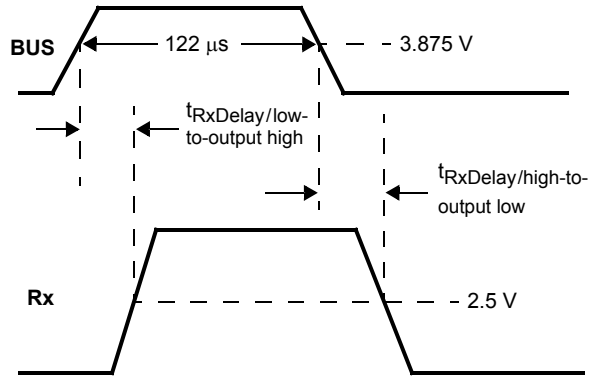


Figure 6. BUS-to-Rx Delay Time

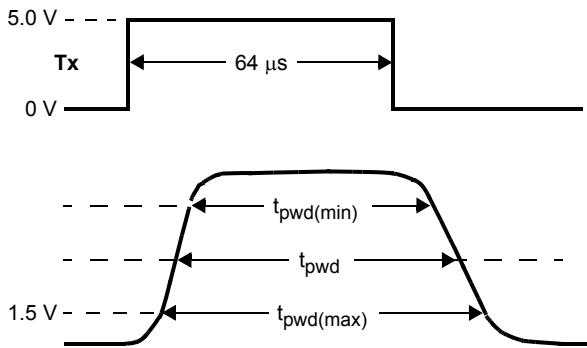


Figure 4. Pulse Width Distortion

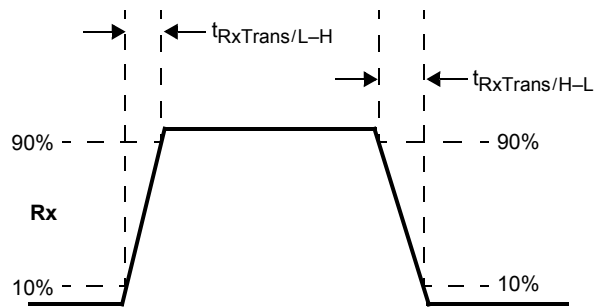


Figure 7. Rx Rise and Fall Time

Freescale Semiconductor, Inc.



## SYSTEM/APPLICATION INFORMATION

### INTRODUCTION

The 33390 is a serial transceiver device designed to meet the SAE Standard J-1850 Class B performance for bi-directional half-duplex communication. The device is packaged in an economical surface-mount SOIC plastic package. An internal block diagram of the device is shown in Figure 1.

The 33390 derives its robustness to temperature and voltage extremes from being built on a SMARTMOS process, incorporating CMOS logic, bipolar/MOS analog circuitry, and

DMOS power FETs. Though the 33390 was principally designed for automotive applications requiring SAE J-1850 Class B standards, it is suited for other serial communication applications. It is parametrically specified over an ambient temperature range of  $-40^{\circ}\text{C} \leq T_A \leq 125^{\circ}\text{C}$  and  $7.0\text{ V} \leq V_{\text{BAT}} \leq 16\text{ V}$  supply. The economical 8-pin SOICN surface mount plastic package makes the device a cost-effective solution.

### FUNCTIONAL DESCRIPTION

#### Input Power ( $V_{\text{BAT}}$ Pin)

This is the only required input power source necessary to operate the 33390. The internal voltage reference of the 33390 will remain fully operational with a minimum of 9.0 V on this pin. Bus transmissions can continue with battery voltages down to 5.0 V. The bus output voltage will follow the battery voltage down and, in doing so, track approximately 1.6 V below the battery voltage. The device will continue to receive and transmit bus data to the microcontroller with battery voltages as low as 4.25 V. The pin can withstand voltages from -0.3 V to 40 V. If reverse battery protection is required, an appropriate diode must be placed in series with this pin to protect the IC.

#### Sleep Input ( $\overline{\text{SLEEP}}$ Pin)

This input is used to enable and disable the Class B transmitter. The Class B receiver is always enabled so long as adequate  $V_{\text{BAT}}$  pin voltage is applied. When the  $\overline{\text{SLEEP}}$  pin voltage is 5.0 V, the Class B transmitter is enabled. If this input is 0 V, the Class B transmitter will be disabled and less than 65  $\mu\text{A}$  of current will be drawn by the  $V_{\text{BAT}}$  pin. The pin also provides a 5.0 V reference, internal to the device, used to establish the Rx output level and slew rate times.

#### Class B Functional Description

The transmitter provides an analog waveshaped 0 V to 7.0 V waveform on the BUS output. It also receives waveforms and transmits a digital level signal back to a logic IC. The transmitter can drive up to 32 secondary Class B transceivers (see Figures 8 and 9). These secondary nodes may be at ground potentials that are  $\pm 2.0\text{ V}$  relative to the control assembly. Waveshaping will only be maintained during 2 of the 4 corners when the 0 to  $\pm 2.0\text{ V}$  ground potential difference condition exists. The 33390 is a secondary node on the Class B bus. Each secondary transceiver has a  $470 \pm 10\%$  pF capacitor on its output for EMI suppression purposes, as well as a  $10.6\text{ k}\Omega \pm 5\%$  pull-down resistor to ground. The primary node has a  $3300 \pm 10\%$  pF capacitor on its output for EMI suppression, as well as a  $1.5\text{ k}\Omega \pm 5\%$  pull-down resistor to ground. With more than 26 nodes, there is no primary node (see Figure 10). All nodes will have a  $470 \pm 10\%$  pF capacitor and a  $10.6\text{ k}\Omega \pm 5\%$  pull-down resistor. No matter how many secondary nodes are

on the Class B bus, the RC time constant of the Class B bus is maintained at approximately 5.0  $\mu\text{s}$ . The minimum and maximum capacitance and resistance on the Class B bus is given by the expressions shown in Table 1, page 10.

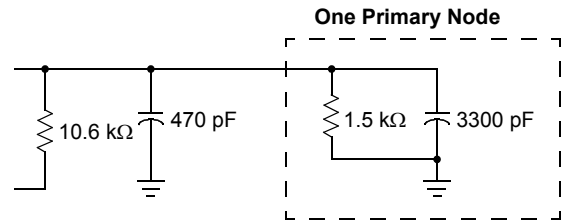


Figure 8. Minimum Bus Load

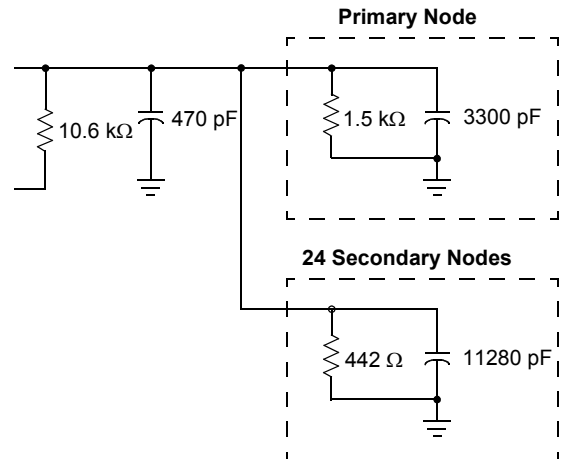


Figure 9. Maximum Number of Nodes

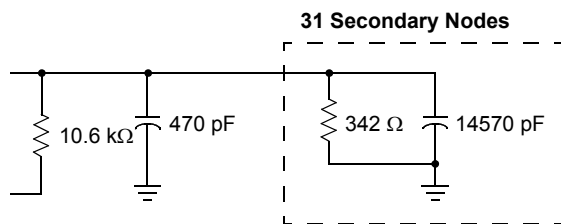


Figure 10. Maximum Bus Load

**Table 1. Class B Bus Capacitance and Resistance Expressions**

| Level   | Capacitance   | Resistance to Ground  |
|---------|---|---|
| Minimum | $(3.3 \times 0.9) + (0.47 \times 0.9) = 3.39 \text{ nF}$    | $(1.5 \times 0.95) \parallel (10.6 \times 0.95) / 25 = 314 \Omega$      |
| Maximum | $(3.3 \times 1.1) + 25(0.47 \times 1.1) = 16.55 \text{ nF}$ | $(1.5 \times 1.05) \parallel (10.6 \times 1.05) = 1.38 \text{ k}\Omega$ |

## APPLICATIONS

### Class B Module Inputs

#### Transmitter Data from the MCU (Tx)

The Tx input is a push-pull (N-channel/P-channel FETs) buffer with hysteresis for noise immunity purposes. This pin is a 5.0 V CMOS logic level input from the MCU following a true logic protocol. A logic [0] input drives the BUS output to 0 V (via the external pull-down resistor to ground on each node), while a logic [1] input produces a high voltage at the BUS output. A logic [0] input level is guaranteed when the Tx input pin is open-circuited by virtue of an internal 40 k $\Omega$  pull-down resistor. No external resistor is required for its operation.

#### Waveshaping and 4X/Loop

This input is a tristateable input: 0 V = normal waveshaping, 5.0 V = waveshaping is disabled for 4X transmitting, and high impedance = loopback mode of operation. This is a logic level input used to select whether waveshaping for the Class B output is enabled or disabled. A logic [0] enables waveshaping, while a logic [1] disables waveshaping. In the 4X mode, the BUS output rise time is less than 2.0  $\mu\text{s}$  and the fall time is less than 5.0  $\mu\text{s}$  (owing to the external RC pull-down to ground). In the loopback condition, the Tx signal is fed back to the Rx output *after* waveshaping *without* being transmitted onto the BUS. This mode of operation is useful for system diagnostic purposes.

### Class B Module Outputs

#### Transceiver Output (BUS)

This is the output driver stage that sources current to the bus. Its output follows the waveshaped waveform input. Its output voltage is limited to 6.25 V to 8.0 V under normal battery level conditions. The limited level is controlled by an internal regulator/clamp circuit. Once the battery voltage drops below 9.0 V, the regulator/clamp circuit saturates, causing the bus voltage to track the battery voltage. A 1.5 k $\Omega$   $\pm 5\%$  external resistor (as well as any 10.6 k $\Omega$  pull-down resistors of any secondary nodes) sinks the current to discharge the capacitors during high-to-low transitions. This sourcing output is short circuit-protected (60 mA to 170 mA) against a short to -2.0 V and sinks less than 1.0 mA when shorted to  $V_{\text{BAT}}$ . If a short occurs, the overtemperature shutdown circuit protects the source driver of the device. In the event battery power is lost to the assembly, the bus transmitter's output stage will be disabled and the leakage current from the BUS output will not source or sink more than 100  $\mu\text{A}$  of current. The transceiver will operate

with a remote ground offset of  $\pm 2.0$  V, but the lower corners of transmission will *not* be rounded during this condition.

#### Receiver Output to the Microcontroller (Rx)

This is a 5.0 V CMOS compatible push-pull output used to send received data to the microcontroller. It does not require an external pull-up resistor to be used. The receiver is always enabled and draws less than 65  $\mu\text{A}$  of current from  $V_{\text{BAT}}$ . The receive threshold is dependent on the state of the  $\overline{\text{SLEEP}}$  pin. The receiver circuitry is able to operate with  $V_{\text{BAT}}$  voltages as low as 4.25 V and still remains capable of "waking up" the 33390 when remote Class B activity is detected.

When the  $\overline{\text{SLEEP}}$  pin is 0 V and message activity occurs on the bus, the receiver passes the bus message through to the microcontroller. The 33390 does not automatically "wake up" from a sleep state when bus activity occurs: the microcontroller must tell it to do so.

In the Static Electrical Characteristics table, the maximum voltage for Rx is specified as 4.75 V over an operating range of -40°C to 125°C temperature and 7.0 V to 16 V  $V_{\text{BAT}}$ . This maximum Rx voltage is compatible with the minimum  $V_{\text{DD}}$  voltage of microcontrollers to prevent the 33390 from sourcing current to the microcontroller's output.

#### Switched Ground Output (LOAD)

Normally this output is a saturated switch to ground, which pulls down the external resistor between the BUS and LOAD outputs. In the event ground is lost to the assembly, the LOAD output will bias itself "off" and will not leak more than 100  $\mu\text{A}$  of current out of this pin.

#### Overtemperature Shutdown

If the BUS output becomes shorted to ground for any duration, an overtemperature shutdown circuit "latches off" the output source transistor whenever the die temperature exceeds 150°C to 190°C. The output transistor remains latched off until the Tx input is toggled from a logic [0] to a logic [1]. The rising edge provides the clearing function, provided the locally sensed temperature is 10°C to 15°C below the latch-off temperature trip temperature.

#### Waveshaping

Waveshaping is incorporated into the 33390 to minimize radiated EMI emissions.

## Receiver Protocol

The Class B communication scheme uses a variable pulse width (VPW) protocol. The microcontroller provides the VPW decoding function. Once the receiver detects a transition on Rx, it starts an internal counter. The initial “start of frame” bit is a logic [1] and lasts 200  $\mu$ s. For subsequent bits, if there is a bus transition before 96  $\mu$ s, one logic state is inferred. If there is a bus transition after 96  $\mu$ s, the other logic state is inferred. The “end of data” bit is a logic [0] and lasts 200  $\mu$ s. If there is no activity on the bus for 280  $\mu$ s to 320  $\mu$ s following a broadcast message, multiple unit nodes may arbitrate for control of the next message. During an arbitration, after the “start of frame” bit has been transmitted, the secondary node transmitting the most consecutive logic [0] bits will be granted sole transmission access to the bus for that message.

## Loss of Assembly Ground Connection

The definition of a loss of assembly ground condition at the device level is that all pins of the 33390, with the exception of BUS and LOAD, see a very low impedance to  $V_{BAT}$ .

The LOAD pin of the device has an internal transistor switch connected to it that is normally saturated to ground. This pulls the LOAD-side of the external resistor (tied from BUS to LOAD)

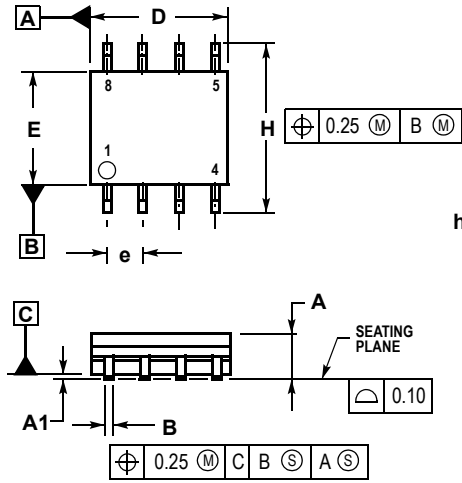
to ground under normal conditions. The LOAD pin switch is essentially that of an “upside down” FET, which is normally biased “on” so long as module ground is present and biased “off” when loss-of-ground occurs. When a loss of assembly ground occurs, the load transistor switch is self-biased “off”, allowing no more than 100  $\mu$ A of leakage current to flow in the LOAD pin. During such a loss of assembly ground condition, the BUS and LOAD pins exhibit a high impedance to  $V_{BAT}$ ; all other pins will exhibit a low impedance to  $V_{BAT}$ . During this condition the BUS pin is prevented from sourcing any current or loading the bus, which would cause a corruption of any data being transmitted on the bus. While a particular assembly is experiencing a loss of ground, all other assembly nodes are permitted to function normally. It should be noted that with other nodes existing on the bus, the bus will always have some minimum/maximum impedance to ground as shown in Table 1, page 10.

## Loss of Assembly Battery Connection

The definition of a loss of assembly battery condition at the device level is that the  $V_{BAT}$  pin of the 33390 sees an infinite impedance to  $V_{BAT}$ , but there is some undefined impedance between these pins and ground.

PACKAGE DIMENSIONS

**D SUFFIX**  
 (8-LEAD SOIC NARROW BODY)  
 PLASTIC PACKAGE  
 CASE 751-06  
 ISSUE T



NOTES:

1. DIMENSIONING AND TOLERANCING PER ASME Y14.5M, 1994.
2. DIMENSIONS ARE IN MILLIMETERS.
3. DIMENSION D AND E DO NOT INCLUDE MOLD PROTRUSION.
4. MAXIMUM MOLD PROTRUSION 0.15 PER SIDE.
5. DIMENSION B DOES NOT INCLUDE DAMBAR PROTRUSION. ALLOWABLE DAMBAR PROTRUSION SHALL BE 0.127 TOTAL IN EXCESS OF THE B DIMENSION AT MAXIMUM MATERIAL CONDITION.

| DIM | MILLIMETERS |      |
|-----|-------------|------|
|     | MIN         | MAX  |
| A   | 1.35        | 1.75 |
| A1  | 0.10        | 0.25 |
| B   | 0.35        | 0.49 |
| C   | 0.19        | 0.25 |
| D   | 4.80        | 5.00 |
| E   | 3.80        | 4.00 |
| e   | 1.27 BSC    |      |
| H   | 5.80        | 6.20 |
| h   | 0.25        | 0.50 |
| L   | 0.40        | 1.25 |
| θ   | 0°          | 7°   |

**NOTES**

**NOTES**

**Freescale Semiconductor, Inc.**

**NOTES**

Information in this document is provided solely to enable system and software implementers to use Motorola products. There are no express or implied copyright licenses granted hereunder to design or fabricate any integrated circuits or integrated circuits based on the information in this document.

Motorola reserves the right to make changes without further notice to any products herein. Motorola makes no warranty, representation or guarantee regarding the suitability of its products for any particular purpose, nor does Motorola assume any liability arising out of the application or use of any product or circuit, and specifically disclaims any and all liability, including without limitation consequential or incidental damages. "Typical" parameters which may be provided in Motorola data sheets and/or specifications can and do vary in different applications and actual performance may vary over time. All operating parameters, including "Typicals" must be validated for each customer application by customer's technical experts. Motorola does not convey any license under its patent rights nor the rights of others. Motorola products are not designed, intended, or authorized for use as components in systems intended for surgical implant into the body, or other applications intended to support or sustain life, or for any other application in which the failure of the Motorola product could create a situation where personal injury or death may occur. Should Buyer purchase or use Motorola products for any such unintended or unauthorized application, Buyer shall indemnify and hold Motorola and its officers, employees, subsidiaries, affiliates, and distributors harmless against all claims, costs, damages, and expenses, and reasonable attorney fees arising out of, directly or indirectly, any claim of personal injury or death associated with such unintended or unauthorized use, even if such claim alleges that Motorola was negligent regarding the design or manufacture of the part.

MOTOROLA and the Stylized M Logo are registered in the US Patent and Trademark Office. All other product or service names are the property of their respective owners.

© Motorola, Inc. 2003

#### HOW TO REACH US:

#### USA/EUROPE/LOCATIONS NOT LISTED:

Motorola Literature Distribution  
P.O. Box 5405, Denver, Colorado 80217  
1-800-521-6274 or 480-768-2130

**JAPAN:** Motorola Japan Ltd.; SPS, Technical Information Center  
3-20-1 Minami-Azabu, Minato-ku, Tokyo 106-8573, Japan  
81-3-3440-3569

**ASIA/PACIFIC:** Motorola Semiconductors H.K. Ltd.; Silicon Harbour Centre  
2 Dai King Street, Tai Po Industrial Estate, Tai Po, N.T., Hong Kong  
852-26668334

**HOME PAGE:** <http://motorola.com/semiconductors>



**MOTOROLA**

**For More Information On This Product,  
Go to: [www.freescale.com](http://www.freescale.com)**

MC33390/D