

# HOA096X/097X

## Transmissive Optoschmitt Sensor

### FEATURES

- Direct TTL interface
- Accurate position sensing
- Four mounting configurations
- Buffer or inverting logic available
- Choice of detector aperture
- 0.125 in.(3.18 mm) slot width

### DESCRIPTION

The HOA096X/097X series consists of an infrared emitting diode facing an Optoschmitt detector encased in a black thermoplastic housing. Detector switching takes place whenever an opaque object passes through the slot between emitter and detector. The photodetector consists of a photodiode, amplifier, voltage regulator, Schmitt trigger and an NPN output transistor with 10 k $\Omega$  (nominal) pull-up resistor. The user can choose from available options: (1) detector aperture size, (2) mounting tab configuration, and (3) housing material.

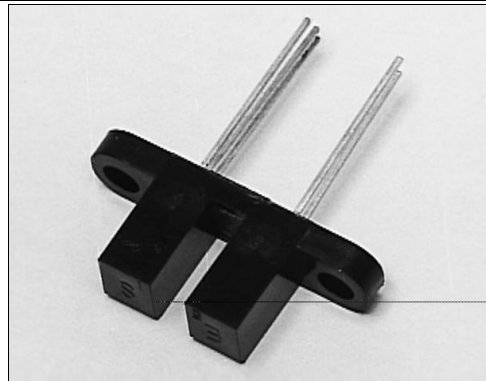
The HOA096X series utilizes an IR transmissive polysulfone housing which features smooth optical faces without external aperture openings; this feature is desirable when aperture blockage from airborne contaminants is a possibility. The HOA097X series employs an opaque polysulfone housing with aperture openings for use in applications where maximum rejection of ambient light is important and in situations in which maximum position resolution is desired. The HOA096X/097X series employs plastic molded components. For additional component information see SEP8506 and SDP8600.

Housing material is polysulfone. Housings are soluble in chlorinated hydrocarbons and ketones. Recommended cleaning agents are methanol and isopropanol.

#### Device Polarity:

- Buffer - Output is LO when optical path is blocked.
- Inverter - Output is HI when optical path is blocked.

To specify the complete product characteristics, see PART NUMBER GUIDE.

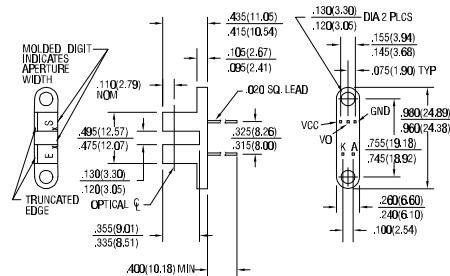


INFRA-26.TIF

### OUTLINE DIMENSIONS in inches (mm)

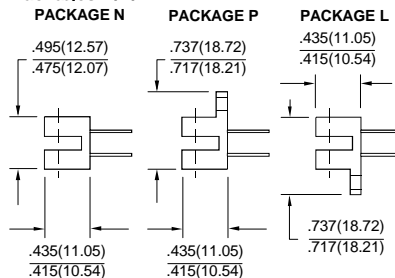
Tolerance 3 plc decimals  $\pm 0.010(0.25)$   
2 plc decimals  $\pm 0.020(0.51)$

### Package T



DIM\_066a.cdr

### Packages N/P/L



DIM\_41b.d54

# HOA096X/097X

## Transmissive Optoschmitt Sensor

### ELECTRICAL CHARACTERISTICS (25°C unless otherwise noted)

PARAMETER	SYMBOL	MIN	TYP	MAX	UNITS	TEST CONDITIONS
<b>IR EMITTER</b>						
Forward Voltage	$V_F$		1.6		V	$I_F=20\text{ mA}$
Reverse Leakage Current	$I_R$		10		$\mu\text{A}$	$V_R=3\text{ V}$
<b>DETECTOR</b>						
Operating Supply Voltage	$V_{CC}$	4.5	10		V	
Low Level Supply Current	$I_{CCL}$	4.0	12		mA	$V_{CC}=5\text{ V}$
Low Level Supply Current		5.0	15			$V_{CC}=12\text{ V}$
High Level Supply Current	$I_{CCH}$	2.0	10		mA	$V_{CC}=5\text{ V}$
High Level Supply Current		3.0	12			$V_{CC}=12\text{ V}$
Low Level Output Voltage	$V_{OL}$		0.4		V	$I_{OL}=12.8\text{ mA}$
HOA0961/0971			0.4			$I_F=0\text{ mA}$
HOA0963/0973			0.4			$I_F=20\text{ mA}$
High Level Output Voltage	$V_{OH}$	2.4			V	$I_{OH}=0$
HOA0961/0971		2.4				$I_F=20\text{ mA}$
HOA0963/0973		2.4				$I_F=0\text{ mA}$
Hysteresis <sup>(2)</sup>	HYST		10		%	
Propagation Delay, Low-High	$t_{PLH}$		5		$\mu\text{s}$	$V_{CC}=5\text{ V}, I_F=20\text{ mA}$
Propagation Delay, High-Low	$t_{PHL}$		5		$\mu\text{s}$	$V_{CC}=5\text{ V}, I_F=20\text{ mA}$
Rise Time	$t_r$		60		ns	$R_L=390\ \Omega, C_L=50\text{ pF}$
Fall Time	$t_f$		15		ns	$R_L=390\ \Omega, C_L=50\text{ pF}$
<b>COUPLED CHARACTERISTICS</b>						
IRET Trigger Current	$I_{FT}$		20		mA	$V_{CC}=5\text{ V}$
All Series						

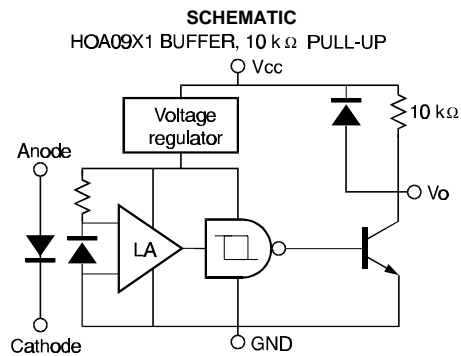
#### Notes

1. It is recommended that a bypass capacitor, 0.1  $\mu\text{F}$  typical, be added between  $V_{CC}$  and GND near the device in order to stabilize power supply line.
2. Hysteresis is defined as the difference between the operating and release threshold intensities, expressed as a percentage of the operate threshold intensity.

### ABSOLUTE MAXIMUM RATINGS

(25°C Free-Air Temperature unless otherwise noted)

Operating Temperature Range	-40°C to 70°C
Storage Temperature Range	-40°C to 85°C
Soldering Temperature (5 sec)	240°C
<b>IR EMITTER</b>	
Power Dissipation	100 mW <sup>(1)</sup>
Reverse Voltage	3 V
Continuous Forward Current	50 mA
<b>DETECTOR</b>	
Supply Voltage	12 V <sup>(2)</sup>
Output Sink Current	18 mA
Duration of Output	1.0 sec.
Short to $V_{CC}$ or Ground	



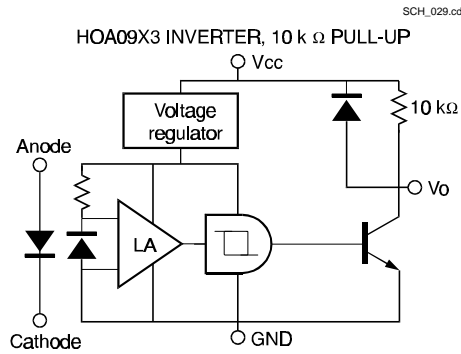
Honeywell reserves the right to make changes in order to improve design and supply the best products possible.

# Honeywell

# HOA096X/097X

## Transmissive Optoschmitt Sensor

### SCHEMATIC



### SWITCHING WAVEFORM FOR INVERTERS

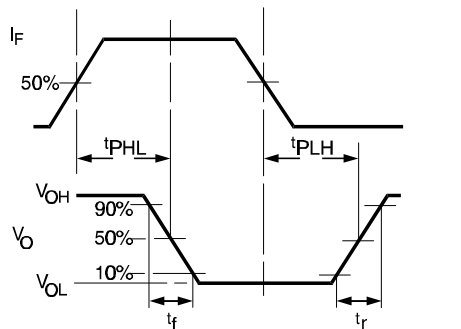
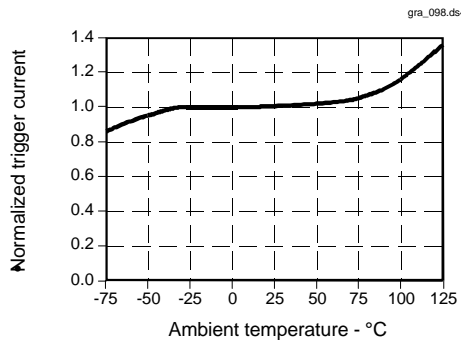


Fig. 2 IRED Trigger Current vs Temperature



All Performance Curves Show Typical Values

### SWITCHING WAVEFORM FOR BUFFERS

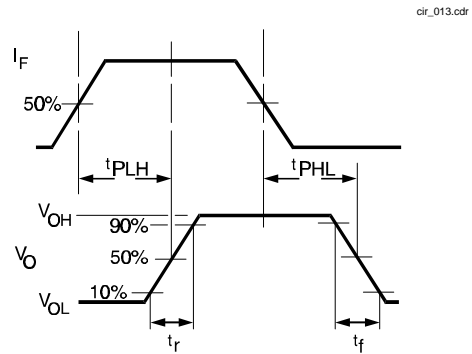
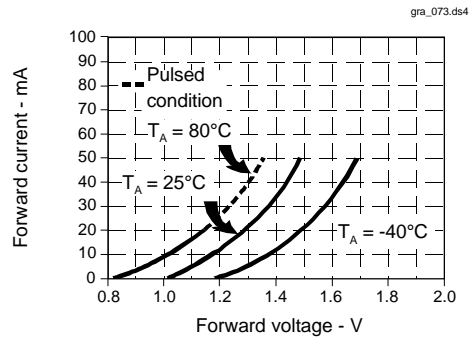


Fig. 1 IRED Forward Bias Characteristics



# HOA096X/097X

Transmissive Optoschmitt Sensor

---

## PART NUMBER GUIDE

### HOA09XX-XXX

#### Housing Material

- 6 = Polysulfone, IR transmissive
- 7 = Polysulfone, opaque

#### Output Configuration

- 1 = Buffer, output high with light on
- 3 = Inverter, output low with light on

#### Aperture Width In Front Of Detector

- 1 = 0.010 in. (0.25 mm)
- 5 = 0.050 in. (1.27 mm)
- Aperture length is 0.060 in. (1.52 mm)

#### Aperture Width In Front Of IRED

- 5 = 0.050 in. (1.27 mm)
- Aperture length is 0.060 in. (1.52 mm)

#### Mounting Configuration

- L = Single mounting tab, emitter side
- N = No mounting tabs
- P = Single mounting tab, detector side
- T = Two mounting tabs