

DESCRIPTION

The PT2334 is an integrated stereo 2W Class-D amplifier accompany with a Class-AB headphone driver. The input interface accepts both analog and digital audio sources; the chip included a 16-bit DAC to convert digital audio source to analog signal. The signal process is basically in analog domain to maintain the high performances and low power consumption. The PT2334 also provide very useful multi-sources selection (Up to 4 sources) and tone control functions, thanks for the advanced CMOS technology now we could combine both audio processing and amplification into a single chip. The whole chip functions are controlled via I²C bus.

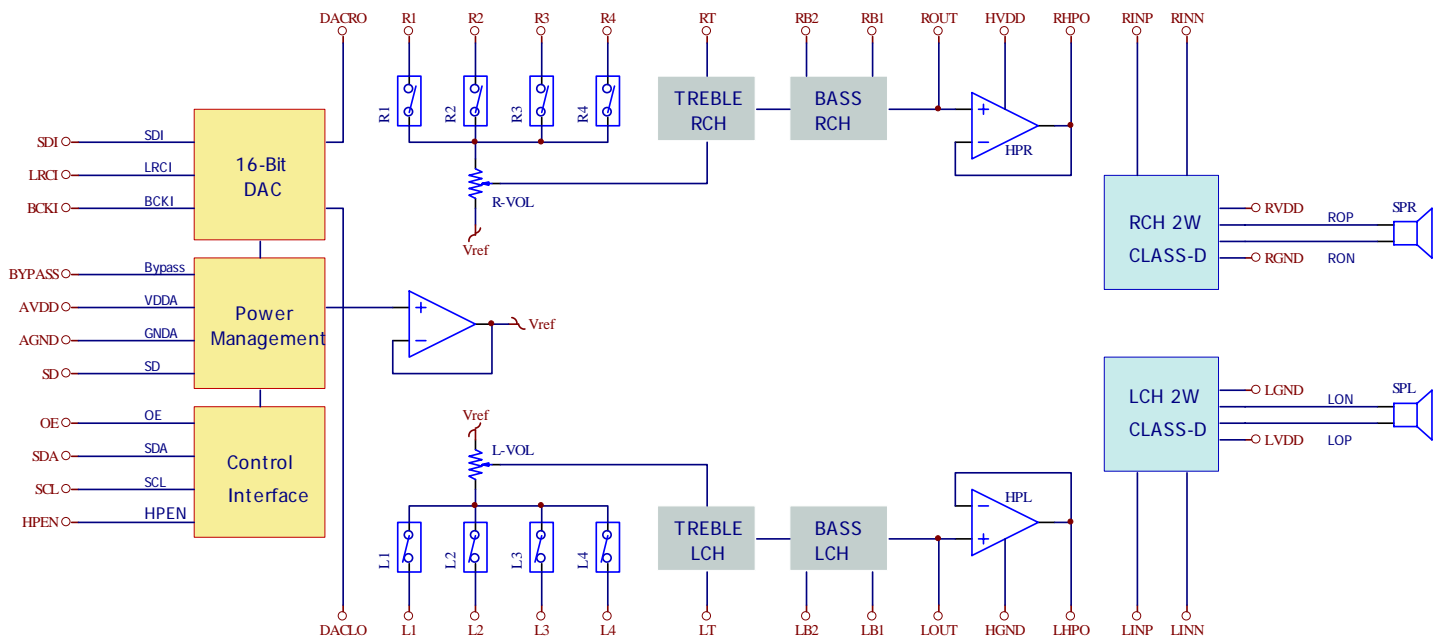
APPLICATIONS

- Flat panel display and TV
- Portable media player
- Portable player ducking system
- Digital photo frame
- Other audio applications

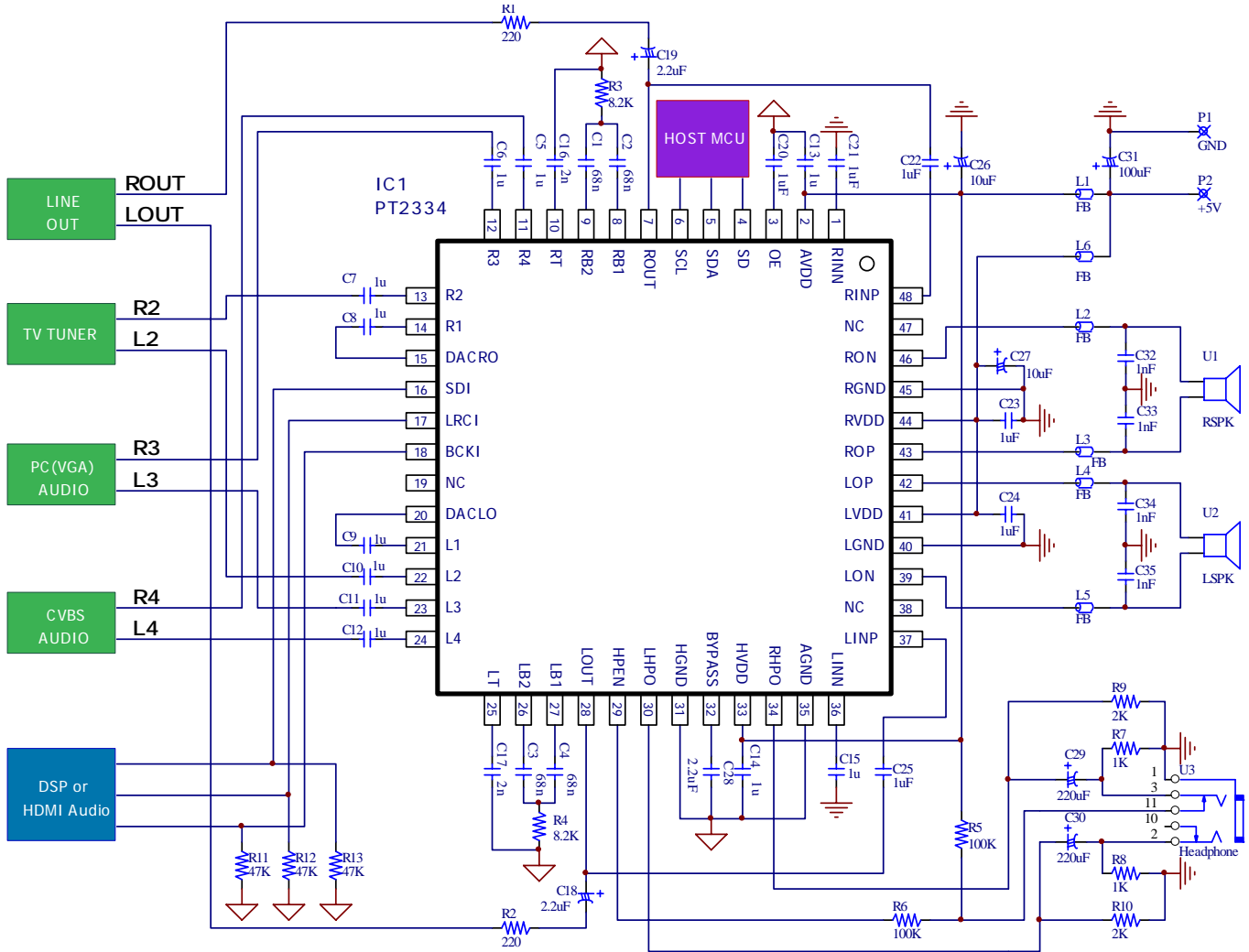
FEATURES

- Supply Voltage: 3.7~6V
- Differential input power amplifier for improved CMRR.
- 2W X 2 Class-D power amplifier (VDD=5V, RL=4Ω)
- 70mW X 2 Class-AB headphone driver (RL=32Ω)
- BASS and TREBLE control
- 32 steps volume controller
- 4 Inputs selection
- Audio line out (same level with volume and tone)
- Built-In 16 bits DAC for digital audio sources
- Pop-Free circuitry eliminates unpleasant noises during power ON/OFF.
- Low power shutdown
- Over Heat/Over current protection circuitry
- Controlled by I²C interface
- High Power CMOS processing
- Available in 48 Pins, LQFP

BLOCK DIAGRAM



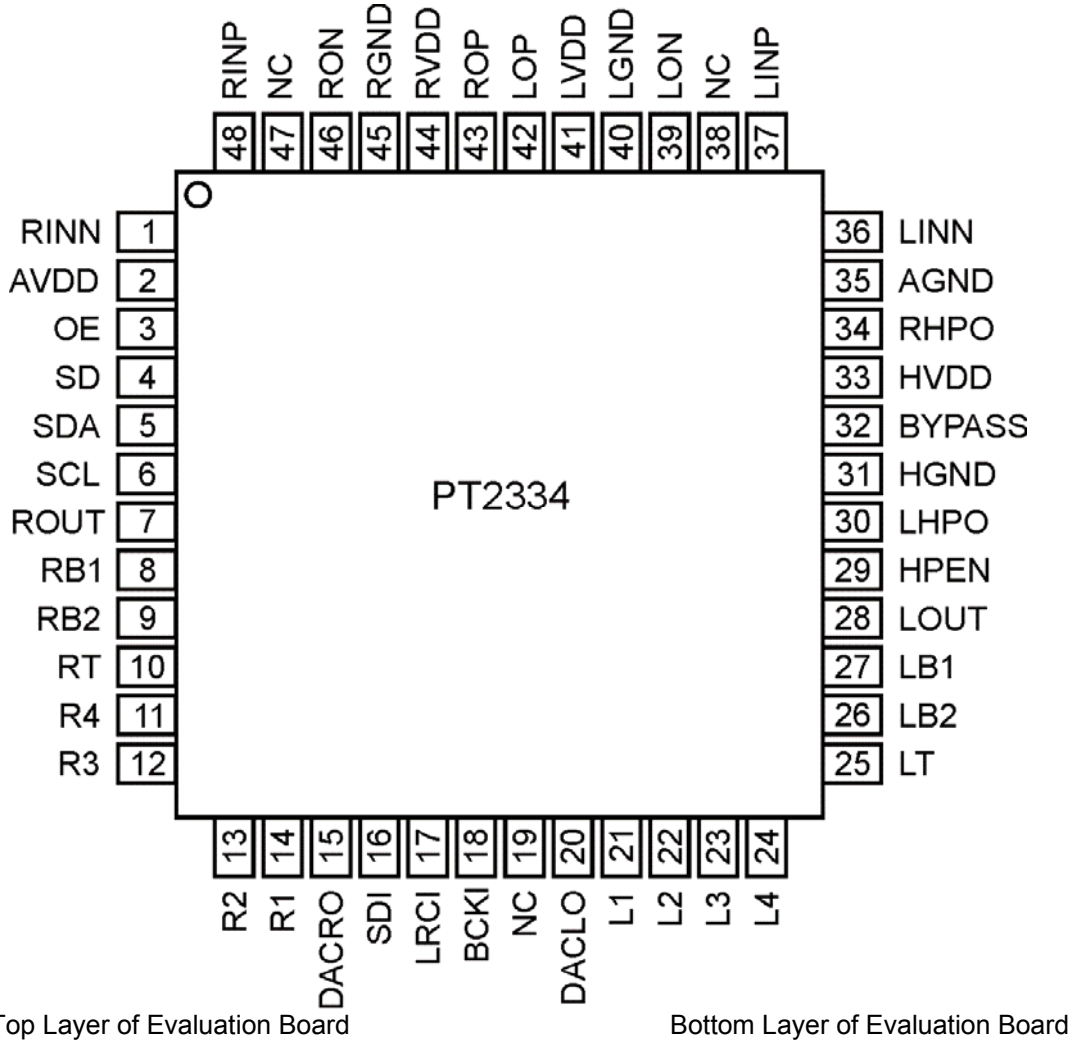
APPLICATION CIRCUIT



ORDER INFORMATION

Valid Part Number	Package Type	Top Code
PT2334-LQ	48 Pins, LQFP	PT2334-LQ

PIN CONFIGURATION



IMPORTANT NOTICE

Princeton Technology Corporation (PTC) reserves the right to make corrections, modifications, enhancements, improvements, and other changes to its products and to discontinue any product without notice at any time.

PTC cannot assume responsibility for use of any circuitry other than circuitry entirely embodied in a PTC product. No circuit patent licenses are implied.

Princeton Technology Corp.
2F, 233-1, Baociao Road,
Sindian, Taipei 23145, Taiwan
Tel: 886-2-66296288
Fax: 886-2-29174598
<http://www.princeton.com.tw>