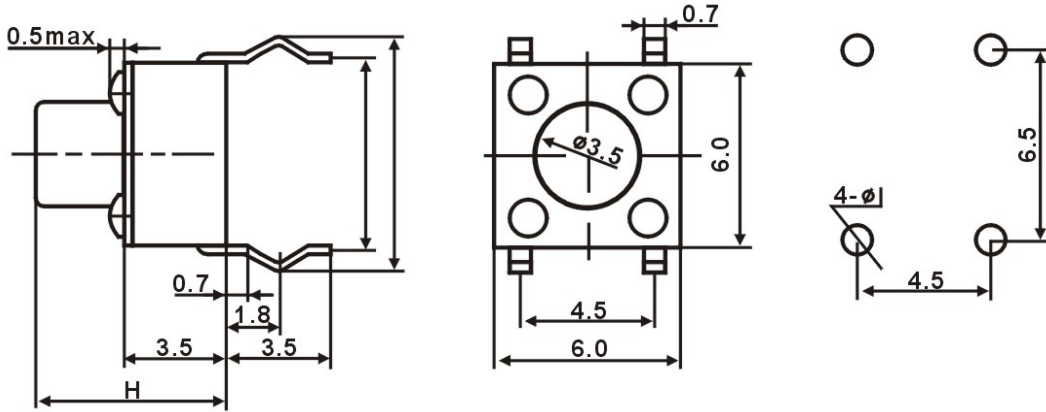


## TSS-TC-0102



MODEL NO	H (mm)
TSS-TC-0102	4.3
TSS-TC-0103	5
TSS-TC-0104	7
TSS-TC-0106	8
TSS-TC-0107	8.5
TSS-TC-0108	9.5
TSS-TC-0109	12.5
TSS-TC-A109	13.0
TSS-TC-0110	13.5
TSS-TC-0111	17

CODE	OPERATING FORCE(gf)
T	100±30
V	130±30
X	160±50
W	170±50
Y	190±50
Z	250±100
C	250±50
N	350±100

### **SPECIFICATIONS**

1. RATING:DC 12V 50mA
2. TRAVEL:0.25±0.1mm
3. CONTACT RESISTANCE 100mΩ MAX
4. LIFE: normal 50,000~100,000 times  
(over 100,000 times on request)

\*\*We also can supply below H, please send us your inquiry by e-mail and remark what H you need.

4.5mm, 5.5mm, 6mm, 6.5mm, 7.5mm, 9mm, 10mm, 10.5mm, 11mm, 11.5mm, 12mm, 14mm, 15mm, 16mm, 18mm, 19mm, 20mm, 21mm

Note: Specification are subject to change without notice. For more detail and update, please visit our website.

**Suntan®** Technology Company Limited    Website: [www.suntan.com.hk](http://www.suntan.com.hk)    Email: [info@suntan.com.hk](mailto:info@suntan.com.hk)    Tel: (852) 8202 8782    Fax: (852) 8208 6246