

# NCV4949A

## 100 mA, 5.0 V, Low Dropout Voltage Regulator with Reset and Sense

The NCV4949A is a monolithic integrated 5.0 V voltage regulator with a very low dropout and additional functions such as reset and an uncommitted voltage sense comparator.

It is designed for supplying microcontroller/microprocessor controlled systems particularly in automotive applications. The NCV4949A has improved reset behavior for lower input and output voltage levels.

### Features

- Operating DC Supply Voltage Range 5.0 V to 28 V
- Transient Supply Voltage Up to 40 V
- High Precision Output Voltage 5.0 V  $\pm 1\%$
- Output Current Capability Up to 100 mA
- Very Low Dropout Voltage Less Than 0.4 V
- Reset Circuit Sensing The Output Voltage
- Programmable Reset Pulse Delay
- Voltage Sense Comparator
- Thermal Shutdown and Short Circuit Protections
- NCV Prefix for Automotive and Other Applications Requiring Site and Change Control
- These are Pb-Free Devices

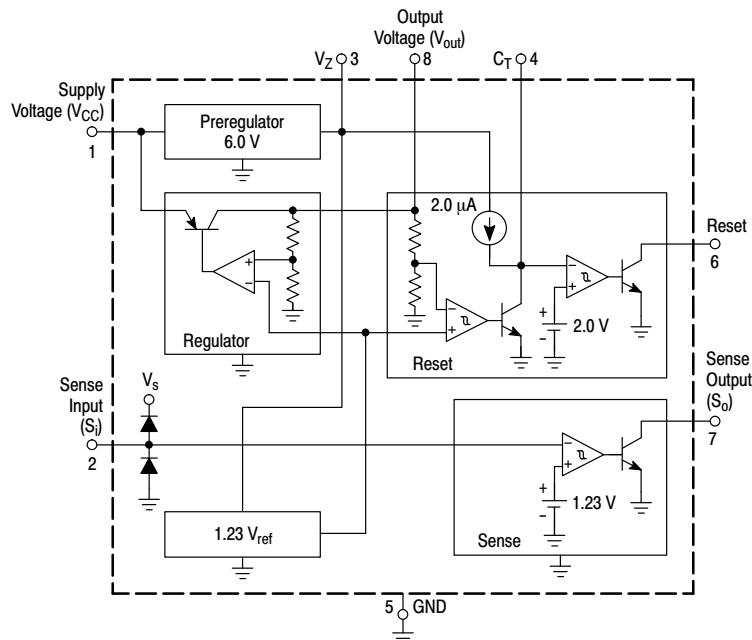


Figure 1. Representative Block Diagram



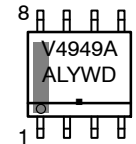
ON Semiconductor®

<http://onsemi.com>

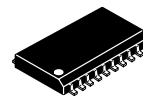
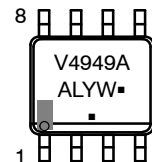
### MARKING DIAGRAMS



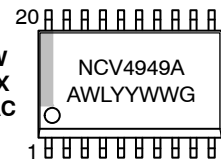
SOIC-8  
D SUFFIX  
CASE 751



SOIC-8 EP  
PD SUFFIX  
CASE 751AC



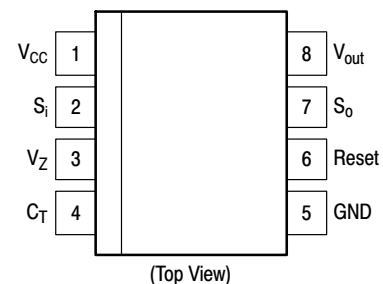
SOIC-20 W  
DW SUFFIX  
CASE 751AC



A = Assembly Location  
WL, L = Wafer Lot  
YY, Y = Year  
WW, W = Work Week  
G or ■ = Pb-Free Device

(Note: Microdot may be in either location)

### PIN CONNECTIONS



### ORDERING INFORMATION

See detailed ordering and shipping information in the package dimensions section on page 8 of this data sheet.

# NCV4949A

## ABSOLUTE MAXIMUM RATINGS

Rating	Symbol	Value	Unit
DC Operating Supply Voltage	$V_{CC}$	28	V
Transient Supply Voltage ( $t < 1.0$ s)	$V_{CC\ TR}$	40	V
Output Current	$I_{out}$	Internally Limited	–
Output Voltage	$V_{out}$	20	V
Sense Input Current	$I_{SI}$	$\pm 1.0$	mA
Sense Input Voltage	$V_{SI}$	$V_{CC}$	–
Output Voltages			V
Reset Output	$V_{Reset}$	20	
Sense Output	$V_{SO}$	20	
Output Currents			mA
Reset Output	$I_{Reset}$	5.0	
Sense Output	$I_{SO}$	5.0	
Preregulator Output Voltage	$V_Z$	7.0	V
Preregulator Output Current	$I_Z$	5.0	mA
ESD Protection at any pin			V
Human Body Model	–	4000	
Machine Model	–	200	
Charged Device Model (SOIC–20 W)	–	1000	
Thermal Resistance, Junction–to–Air	$R_{\theta JA}$		$^{\circ}C/W$
SOIC–8		189.3	
SOIC–8 EP		84.8	
SOIC–20 W		95.8	
Operating Junction Temperature Range	$T_J$	–40 to +150	$^{\circ}C$
Storage Temperature Range	$T_{stg}$	–65 to +150	$^{\circ}C$

Stresses exceeding Maximum Ratings may damage the device. Maximum Ratings are stress ratings only. Functional operation above the Recommended Operating Conditions is not implied. Extended exposure to stresses above the Recommended Operating Conditions may affect device reliability.

## LEAD TEMPERATURE SOLDERING REFLOW (Note 1)

Rating	Symbol	Min	Max	Unit
Reflow (SMD styles only) lead free 60 – 150 sec above 217, 40 sec max at peak	$T_{sld}$	–	260	$^{\circ}C$
Moisture Sensitivity Level (SOIC–8)	MSL	Level 1		
Moisture Sensitivity Level (SOIC–8EP)	MSL	Level 2		
Moisture Sensitivity Level (SOIC–20W)	MSL	Level 3		

1. Per IPC / JEDEC J–STD–020C

## ELECTRICAL CHARACTERISTICS ( $V_{CC} = 14$ V, $-40^{\circ}C < T_A < 125^{\circ}C$ , unless otherwise specified.)

Characteristic	Symbol	Min	Typ	Max	Unit
Output Voltage ( $T_A = 25^{\circ}C$ , $I_{out} = 1.0$ mA)	$V_{out}$	4.95	5.0	5.05	V
Output Voltage ( $6.0$ V $< V_{CC} < 28$ V, $1.0$ mA $< I_{out} < 50$ mA)	$V_{out}$	4.9	5.0	5.1	V
Output Voltage ( $V_{CC} = 35$ V, $t < 1.0$ s, $1.0$ mA $< I_{out} < 50$ mA)	$V_{out}$	4.9	5.0	5.1	V
Dropout Voltage	$V_{drop}$				V
$I_{out} = 10$ mA		–	0.1	0.25	
$I_{out} = 50$ mA		–	0.2	0.40	

# NCV4949A

## ELECTRICAL CHARACTERISTICS (continued) ( $V_{CC} = 14\text{ V}$ , $-40^{\circ}\text{C} < T_A < 125^{\circ}\text{C}$ , unless otherwise specified.)

Characteristic	Symbol	Min	Typ	Max	Unit
$I_{out} = 100\text{ mA}$		-	0.3	0.50	
Input to Output Voltage Difference in Undervoltage Condition ( $V_{CC} = 4.0\text{ V}$ , $I_{out} = 35\text{ mA}$ )	$V_{IO}$	-	0.2	0.4	V
Line Regulation ( $6.0\text{ V} < V_{CC} < 28\text{ V}$ , $I_{out} = 1.0\text{ mA}$ )	$Reg_{line}$	-	1.0	20	mV
Load Regulation ( $1.0\text{ mA} < I_{out} < 100\text{ mA}$ )	$Reg_{load}$	-	8.0	30	mV
Current Limit $V_{out} = 4.5\text{ V}$ $V_{out} = 0\text{ V}$	$I_{Lim}$	105 -	200 100	400 -	mA
Quiescent Current ( $I_{out} = 0.3\text{ mA}$ , $T_A < 100^{\circ}\text{C}$ )	$I_{QSE}$	-	150	260	$\mu\text{A}$
Quiescent Current ( $I_{out} = 100\text{ mA}$ )	$I_Q$	-	-	5.0	mA

### RESET

Reset Threshold Voltage	$V_{Resth}$	-	4.5	-	V
Reset Threshold Hysteresis @ $T_A = 25^{\circ}\text{C}$ @ $T_A = -40\text{ to }+125^{\circ}\text{C}$	$V_{Resth,hys}$	50 50	100 -	200 300	mV
Reset Pulse Delay ( $C_T = 100\text{ nF}$ , $t_R \geq 100\text{ }\mu\text{s}$ )	$t_{ResD}$	55	100	180	ms
Reset Reaction Time ( $C_T = 100\text{ nF}$ )	$t_{ResR}$	-	5.0	30	$\mu\text{s}$
Reset Output Low Voltage ( $R_{Reset} = 10\text{ k}\Omega$ to $V_{out}$ , $V_{CC} \geq 3.0\text{ V}$ )	$V_{ResL}$	-	-	0.4	V
Reset Output High Leakage Current ( $V_{Reset} = 5.0\text{ V}$ )	$I_{ResH}$	-	-	1.0	$\mu\text{A}$
Delay Comparator Threshold	$V_{CTth}$	-	2.0	-	V
Delay Comparator Threshold Hysteresis	$V_{CTth,hys}$	-	100	-	mV

### SENSE

Sense Low Threshold ( $V_{SI}$ Decreasing = $1.5\text{ V}$ to $1.0\text{ V}$ )	$V_{SOth}$	1.16	1.23	1.35	V
Sense Threshold Hysteresis	$V_{SOth,hys}$	20	100	200	mV
Sense Output Low Voltage ( $V_{SI} \leq 1.16\text{ V}$ , $V_{CC} \geq 3.0\text{ V}$ , $R_{SO} = 10\text{ k}\Omega$ to $V_{out}$ )	$V_{SOL}$	-	-	0.4	V
Sense Output Leakage ( $V_{SO} = 5.0\text{ V}$ , $V_{SI} \geq 1.5\text{ V}$ )	$I_{SOH}$	-	-	1.0	$\mu\text{A}$
Sense Input Current	$I_{SI}$	-1.0	0.1	1.0	$\mu\text{A}$

### PREREGULATOR

Preregulator Output Voltage ( $I_Z = 10\text{ }\mu\text{A}$ )	$V_Z$	-	6.3	-	V
---	-------	---	-----	---	---

### PIN FUNCTION DESCRIPTION

Pin SO-8, SO-8 EP	Pin SO-20 W	Symbol	Description
1	19	$V_{CC}$	Supply Voltage
2	20	$S_i$	Input of Sense Comparator
3	1	$V_Z$	Output of Preregulator
4	2	$C_T$	Reset Delay Capacitor
5	4-7, 14-17	GND	Ground
6	10	Reset	Output of Reset Comparator
7	11	$S_o$	Output of Sense Comparator
8	12	$V_{out}$	Main Regulator Output
-	3, 8, 9, 13, 18	NC	No Connect

TYPICAL CHARACTERIZATION CURVES

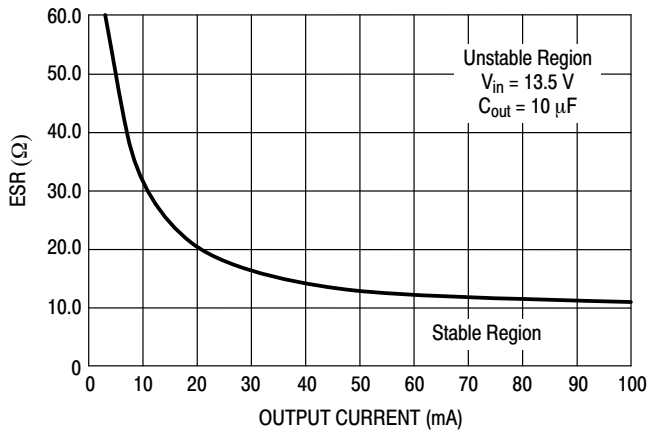


Figure 2. ESR Stability Border Vs. Output Current (Full ESR Range)

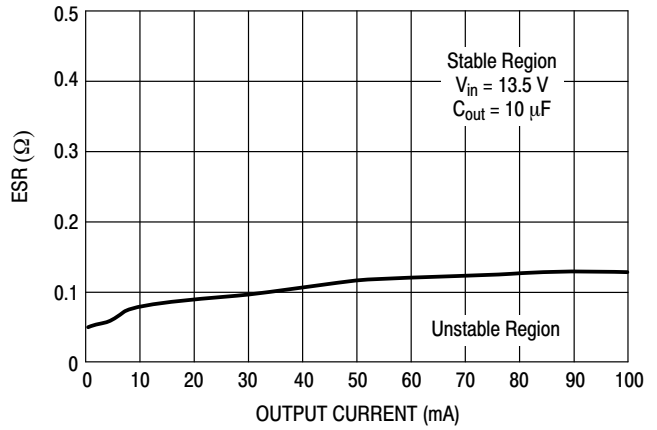


Figure 3. ESR Stability Border Vs. Output Current (Very Low ESR)

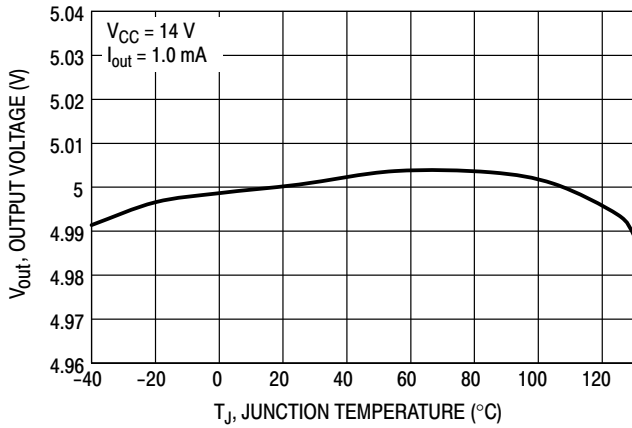


Figure 4. Output Voltage versus Junction Temperature

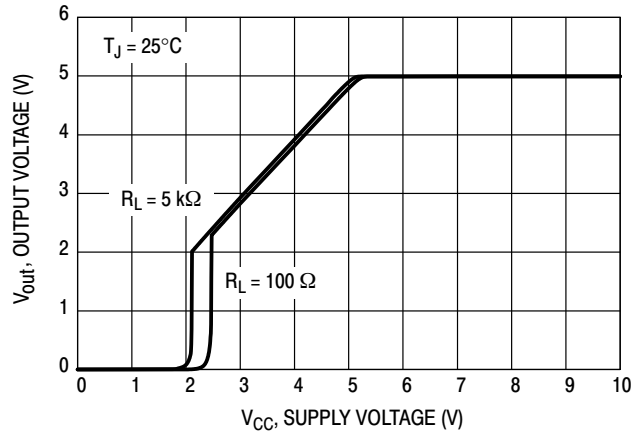


Figure 5. Output Voltage versus Supply Voltage

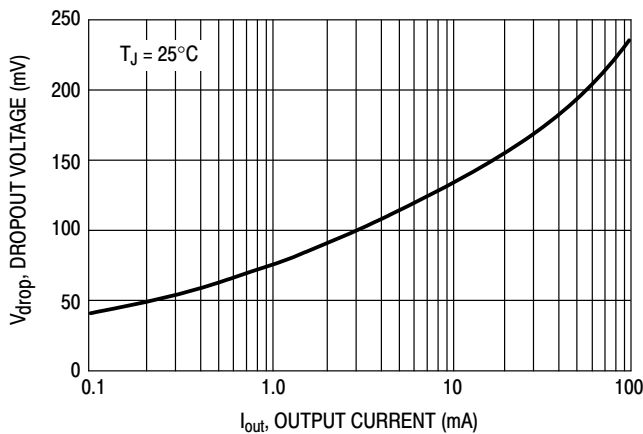


Figure 6. Dropout Voltage versus Output Current

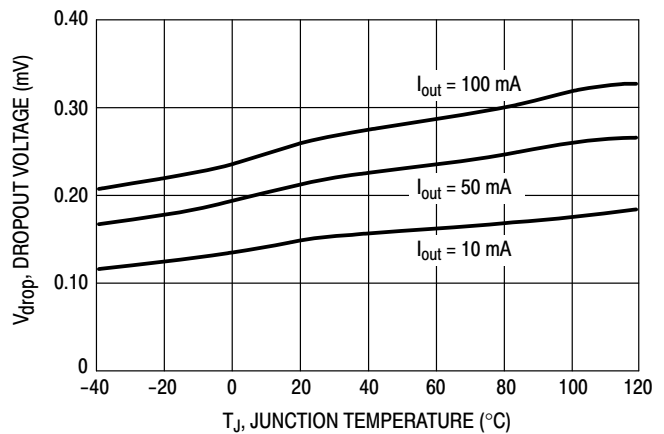


Figure 7. Dropout Voltage versus Junction Temperature

TYPICAL CHARACTERIZATION CURVES (continued)

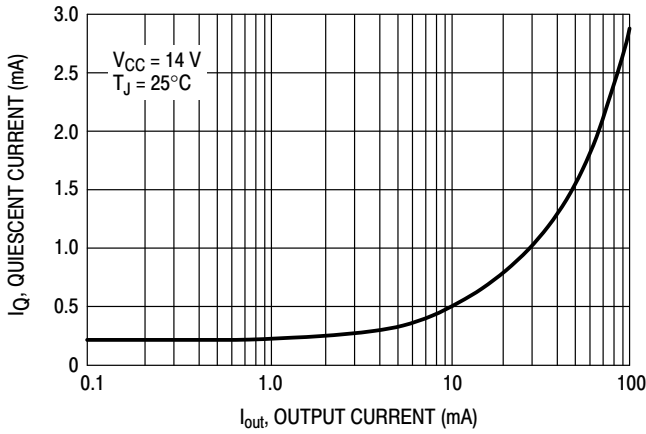


Figure 8. Quiescent Current versus Output Current

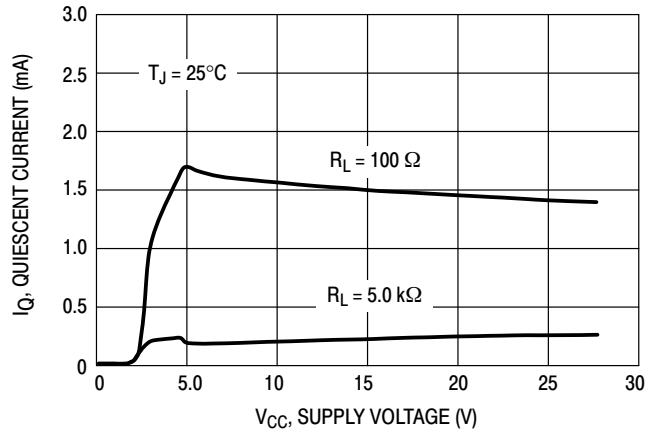


Figure 9. Quiescent Current versus Supply Voltage

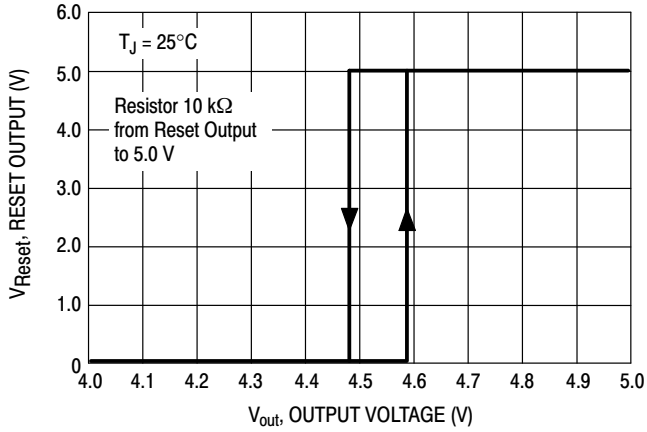


Figure 10. Reset Output versus Regulator Output Voltage

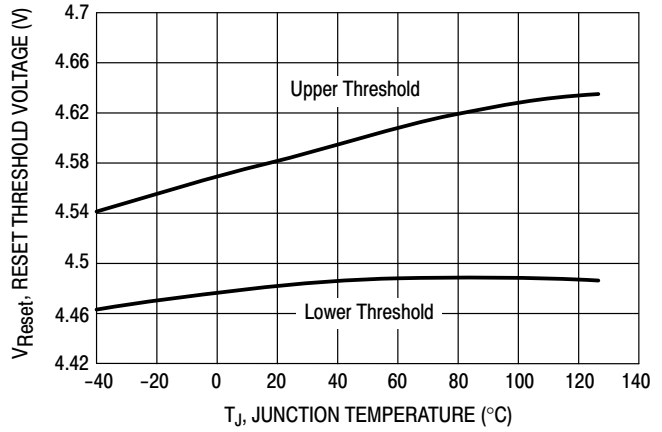


Figure 11. Reset Thresholds versus Junction Temperature

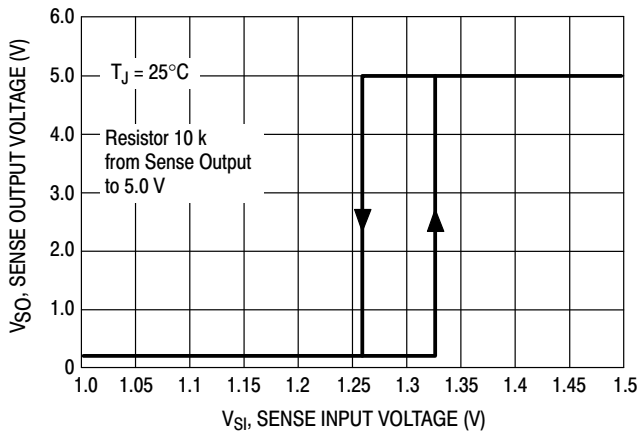


Figure 12. Sense Output versus Sense Input Voltage

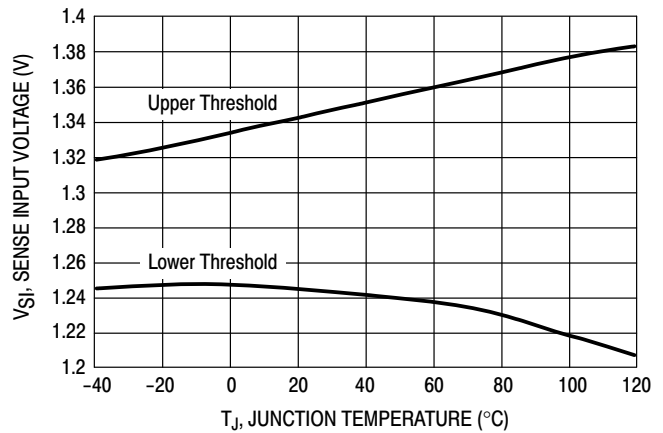


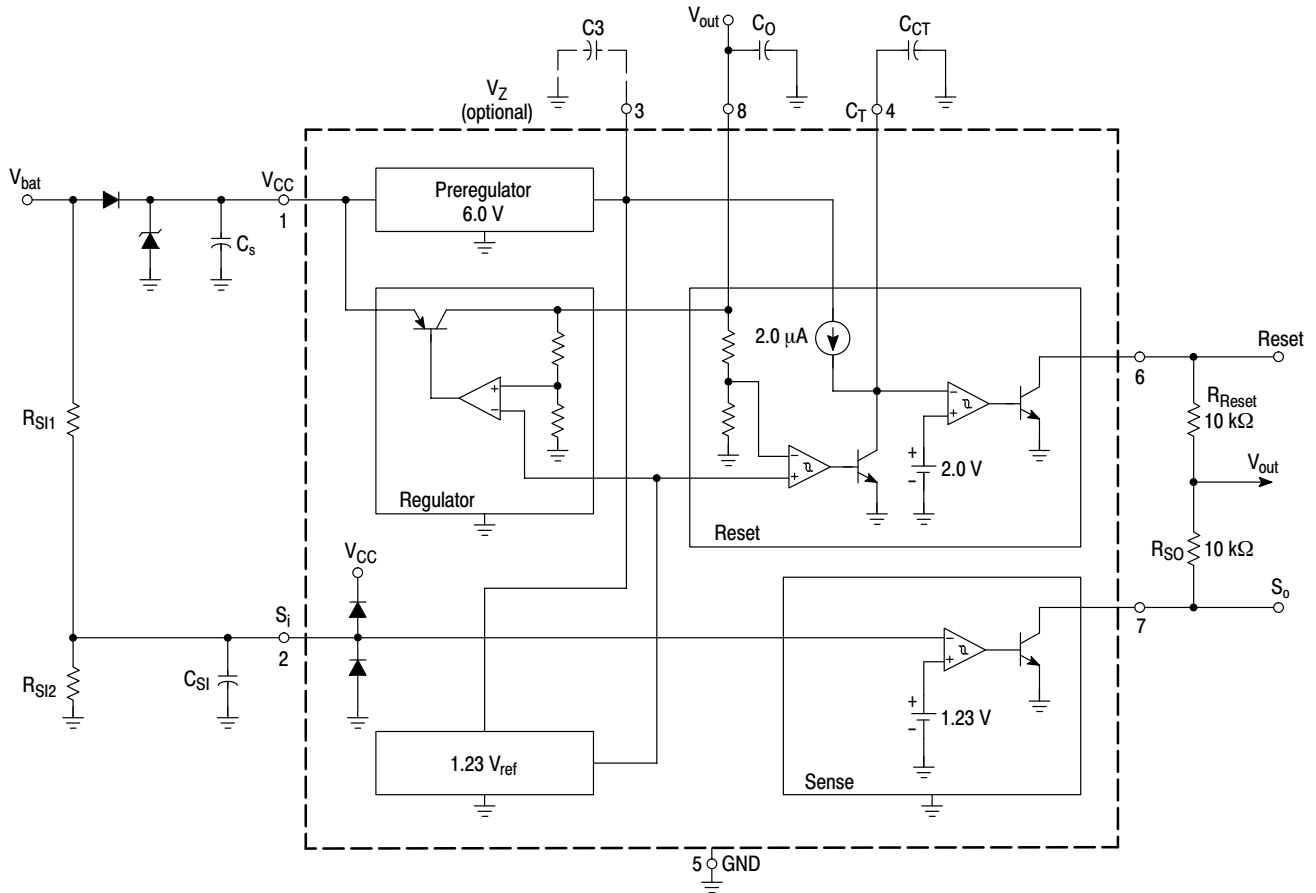
Figure 13. Sense Thresholds versus Junction Temperature

APPLICATION INFORMATION

Supply Voltage Transient

High supply voltage transients can cause a reset output signal perturbation. For supply voltages greater than 8.0 V the circuit shows a high immunity of the reset output against supply transients of more than 100 V/μs. For supply voltages

less than 8.0 V supply transients of more than 0.4 V/μs can cause a reset signal perturbation. To improve the transient behavior for supply voltages less than 8.0 V a capacitor at Pin 3 can be used. A capacitor at Pin 3 ( $C_3 \leq 1.0 \mu\text{F}$ ) also reduces the output noise.



- NOTE: 1. For stability:  $C_s \geq 1.0 \mu\text{F}$ ,  $C_o \geq 4.7 \mu\text{F}$ ,  $\text{ESR} < 10 \Omega$  at 10 kHz  
 2. Recommended for application:  $C_s = 10 \mu\text{F}$ ,  $C_o = 10 \mu\text{F}$  to  $74 \mu\text{F}$  @  $T_A = 125^\circ\text{C}$   
 By using higher  $C_s$  it is possible to use higher  $C_o$ .

Figure 14. Application Schematic

OPERATING DESCRIPTION

The NCV4949A is a monolithic integrated low dropout voltage regulator. Several outstanding features and auxiliary functions are implemented to meet the requirements of supplying microprocessor systems in automotive applications. It is also suitable in other applications where the included functions are required. The modular approach of this device allows the use of other features and functions independently when required.

**Voltage Regulator**

The voltage regulator uses an isolated collector vertical PNP transistor as a regulating element. With this structure, very low dropout voltage at currents up to 100 mA is obtained. The dropout operation of the standby regulator is maintained down to 3.0 V input supply voltage. The output voltage is regulated up to a transient input supply voltage of 35 V.

A typical curve showing the standby output voltage as a function of the input supply voltage is shown in Figure 16.

The current consumption of the device (quiescent current) is less than 200  $\mu$ A.

To reduce the quiescent current peak in the undervoltage region and to improve the transient response in this region, the dropout voltage is controlled. The quiescent current as a function of the supply input voltage is shown in Figure 17.

*Short Circuit Protection:*

The maximum output current is internally limited. In case of short circuit, the output current is foldback current limited as described in Figure 15.

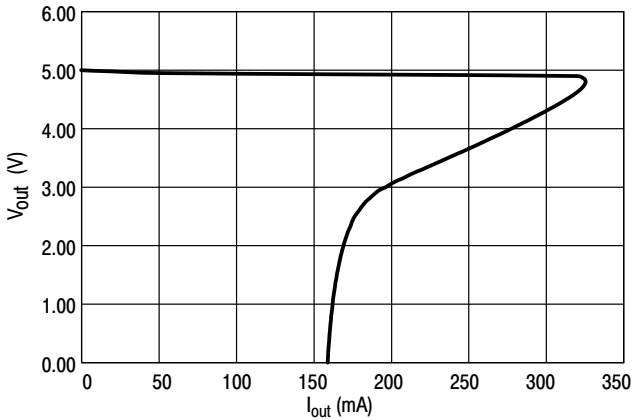


Figure 15. Foldback Characteristic of  $V_{out}$

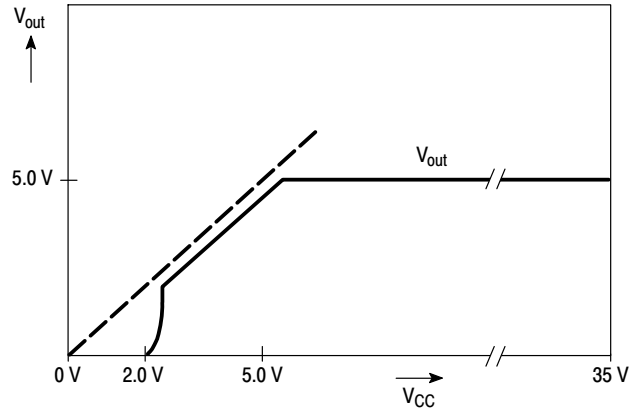


Figure 16. Output Voltage versus Supply Voltage

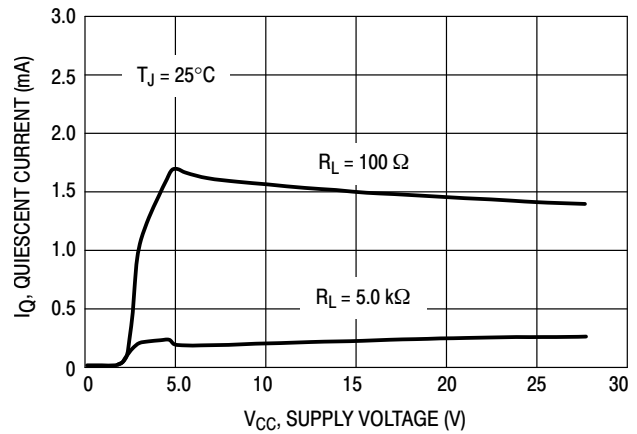


Figure 17. Quiescent Current versus Supply Voltage

**Preregulator**

To improve transient immunity a preregulator stabilizes the internal supply voltage to 6.0 V. This internal voltage is present at Pin 3 ( $V_Z$ ). This voltage should not be used as an output because the output capability is very small ( $\leq 100 \mu$ A).

This output may be used to improve transient behavior for supply voltages less than 8.0 V. In this case a capacitor (100 nF – 1.0  $\mu$ F) must be connected between Pin 3 and GND. If this feature is not used Pin 3 must be left open.

**Reset Circuit**

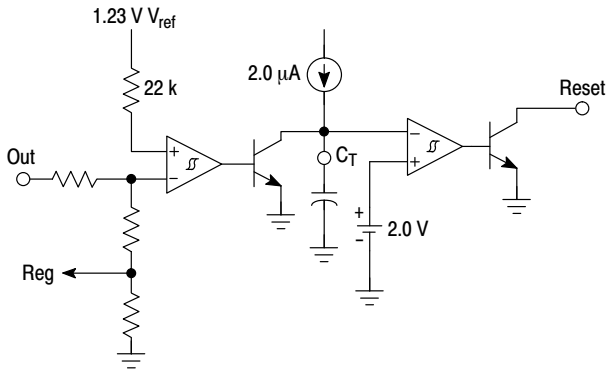
The block circuit diagram of the reset circuit is shown in Figure 18.

The reset circuit supervises the output voltage. The reset threshold of 4.5 V is defined by the internal reference voltage and standby output divider.

The reset pulse delay time  $t_{RD}$ , is defined by the charge time of an external capacitor  $C_T$ :

$$t_{RD} = \frac{C_T \times 2.0 \text{ V}}{2.0 \mu\text{A}}$$

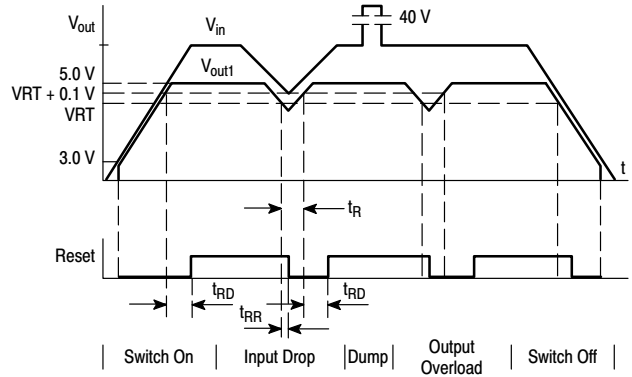
The reaction time of the reset circuit originates from the discharge time limitation of the reset capacitor  $C_T$  and is proportional to the value of  $C_T$ . The reaction time of the reset circuit increases the noise immunity.



**Figure 18. Reset Circuit**

Output voltage drops below the reset threshold only marginally longer than the reaction time results in a shorter reset delay time.

The nominal reset delay time will be generated for output voltage drops longer than approximately 50 μs. The typical reset output waveforms are shown in Figure 19.



**Figure 19. Typical Reset Output Waveforms**

**Sense Comparator**

The sense comparator compares an input signal with an internal voltage reference of typical 1.23 V. The use of an external voltage divider makes this comparator very flexible in the application.

It can be used to supervise the input voltage either before or after a protection diode and to provide additional information to the microprocessor such as low voltage warnings.

**ORDERING INFORMATION**

Device	Package	Shipping†
NCV4949ADR2G	SOIC-8 (Pb-Free)	2500 / Tape & Reel
NCV4949APDR2G	SOIC-8 EP (Pb-Free)	2500 / Tape & Reel
NCV4949ADWR2G	SOIC-20 WB (Pb-Free)	1000 / Tape & Reel

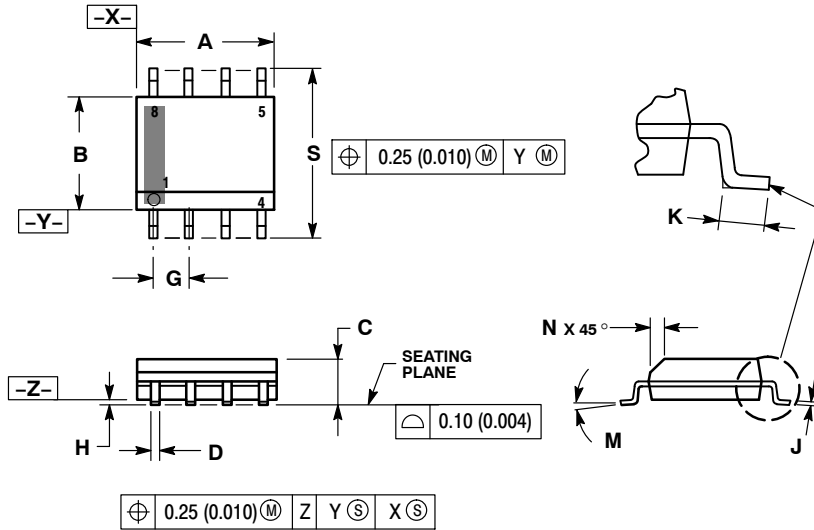
†For information on tape and reel specifications, including part orientation and tape sizes, please refer to our Tape and Reel Packaging Specifications Brochure, BRD8011/D.



# NCV4949A

## PACKAGE DIMENSIONS

SOIC-8 NB  
CASE 751-07  
ISSUE AJ

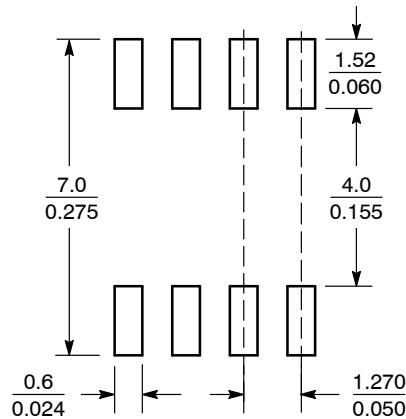


NOTES:

1. DIMENSIONING AND TOLERANCING PER ANSI Y14.5M, 1982.
2. CONTROLLING DIMENSION: MILLIMETER.
3. DIMENSION A AND B DO NOT INCLUDE MOLD PROTRUSION.
4. MAXIMUM MOLD PROTRUSION 0.15 (0.006) PER SIDE.
5. DIMENSION D DOES NOT INCLUDE DAMBAR PROTRUSION. ALLOWABLE DAMBAR PROTRUSION SHALL BE 0.127 (0.005) TOTAL IN EXCESS OF THE D DIMENSION AT MAXIMUM MATERIAL CONDITION.
6. 751-01 THRU 751-06 ARE OBSOLETE. NEW STANDARD IS 751-07.

DIM	MILLIMETERS		INCHES	
	MIN	MAX	MIN	MAX
A	4.80	5.00	0.189	0.197
B	3.80	4.00	0.150	0.157
C	1.35	1.75	0.053	0.069
D	0.33	0.51	0.013	0.020
G	1.27 BSC		0.050 BSC	
H	0.10	0.25	0.004	0.010
J	0.19	0.25	0.007	0.010
K	0.40	1.27	0.016	0.050
M	0°	8°	0°	8°
N	0.25	0.50	0.010	0.020
S	5.80	6.20	0.228	0.244

### SOLDERING FOOTPRINT\*



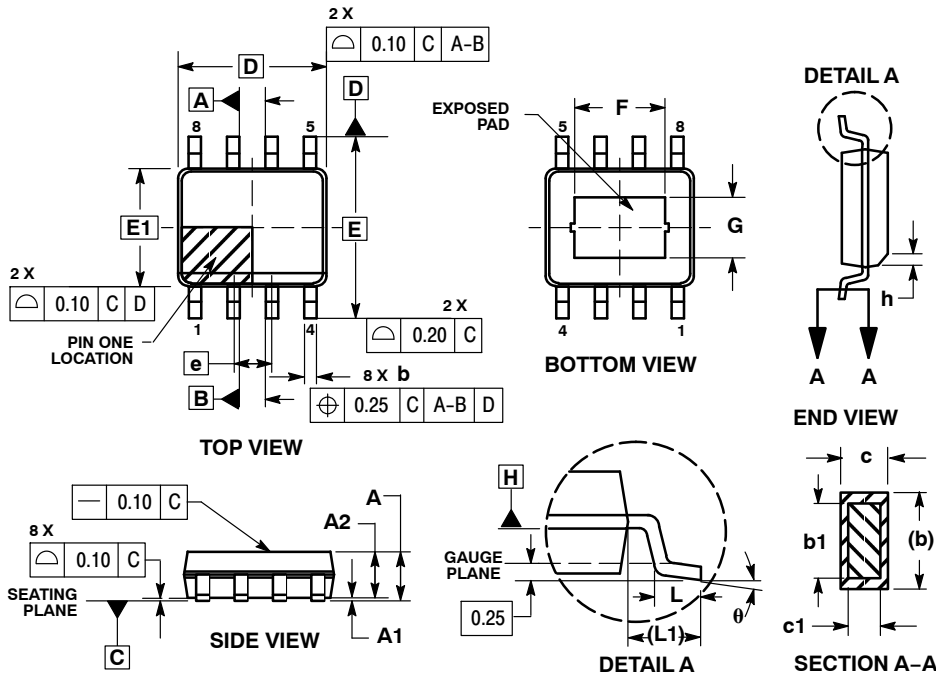
SCALE 6:1  $\left(\frac{\text{mm}}{\text{inches}}\right)$

\*For additional information on our Pb-Free strategy and soldering details, please download the ON Semiconductor Soldering and Mounting Techniques Reference Manual, SOLDERRM/D.

# NCV4949A

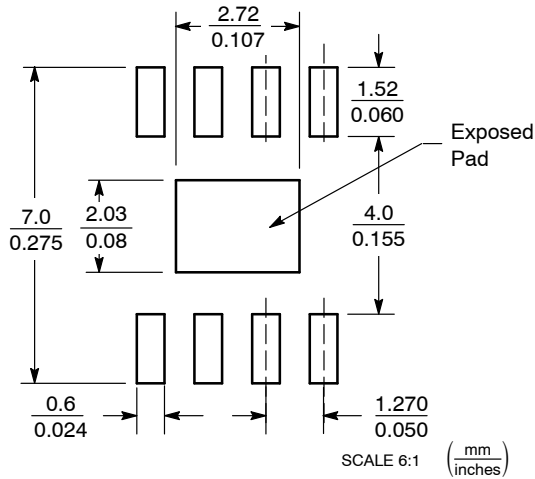
## PACKAGE DIMENSIONS

SOIC-8 EP  
CASE 751AC-01  
ISSUE B



- NOTES:
1. DIMENSIONS AND TOLERANCING PER ASME Y14.5M, 1994.
  2. DIMENSIONS IN MILLIMETERS (ANGLES IN DEGREES).
  3. DIMENSION b DOES NOT INCLUDE DAMBAR PROTRUSION. ALLOWABLE DAMBAR PROTRUSION SHALL BE 0.08 MM TOTAL IN EXCESS OF THE "b" DIMENSION AT MAXIMUM MATERIAL CONDITION.
  4. DATUMS A AND B TO BE DETERMINED AT DATUM PLANE H.

### SOLDERING FOOTPRINT\*

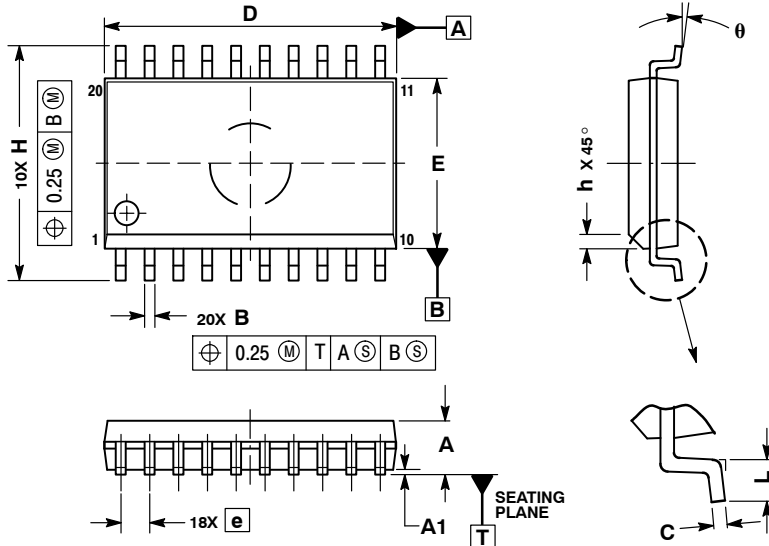


\*For additional information on our Pb-Free strategy and soldering details, please download the ON Semiconductor Soldering and Mounting Techniques Reference Manual, SOLDERRM/D.

# NCV4949A

## PACKAGE DIMENSIONS

SOIC-20 WB  
CASE 751D-05  
ISSUE G



**NOTES:**

1. DIMENSIONS ARE IN MILLIMETERS.
2. INTERPRET DIMENSIONS AND TOLERANCES PER ASME Y14.5M, 1994.
3. DIMENSIONS D AND E DO NOT INCLUDE MOLD PROTRUSION.
4. MAXIMUM MOLD PROTRUSION 0.15 PER SIDE.
5. DIMENSION B DOES NOT INCLUDE DAMBAR PROTRUSION. ALLOWABLE PROTRUSION SHALL BE 0.13 TOTAL IN EXCESS OF B DIMENSION AT MAXIMUM MATERIAL CONDITION.

DIM	MILLIMETERS	
	MIN	MAX
A	2.35	2.65
A1	0.10	0.25
B	0.35	0.49
C	0.23	0.32
D	12.65	12.95
E	7.40	7.60
e	1.27 BSC	
H	10.05	10.55
h	0.25	0.75
L	0.50	0.90
θ	0°	7°

ON Semiconductor and are registered trademarks of Semiconductor Components Industries, LLC (SCILLC). SCILLC reserves the right to make changes without further notice to any products herein. SCILLC makes no warranty, representation or guarantee regarding the suitability of its products for any particular purpose, nor does SCILLC assume any liability arising out of the application or use of any product or circuit, and specifically disclaims any and all liability, including without limitation special, consequential or incidental damages. "Typical" parameters which may be provided in SCILLC data sheets and/or specifications can and do vary in different applications and actual performance may vary over time. All operating parameters, including "Typicals" must be validated for each customer application by customer's technical experts. SCILLC does not convey any license under its patent rights nor the rights of others. SCILLC products are not designed, intended, or authorized for use as components in systems intended for surgical implant into the body, or other applications intended to support or sustain life, or for any other application in which the failure of the SCILLC product could create a situation where personal injury or death may occur. Should Buyer purchase or use SCILLC products for any such unintended or unauthorized application, Buyer shall indemnify and hold SCILLC and its officers, employees, subsidiaries, affiliates, and distributors harmless against all claims, costs, damages, and expenses, and reasonable attorney fees arising out of, directly or indirectly, any claim of personal injury or death associated with such unintended or unauthorized use, even if such claim alleges that SCILLC was negligent regarding the design or manufacture of the part. SCILLC is an Equal Opportunity/Affirmative Action Employer. This literature is subject to all applicable copyright laws and is not for resale in any manner.

### PUBLICATION ORDERING INFORMATION

**LITERATURE FULFILLMENT:**

Literature Distribution Center for ON Semiconductor  
P.O. Box 5163, Denver, Colorado 80217 USA  
Phone: 303-675-2175 or 800-344-3860 Toll Free USA/Canada  
Fax: 303-675-2176 or 800-344-3867 Toll Free USA/Canada  
Email: orderlit@onsemi.com

**N. American Technical Support:** 800-282-9855 Toll Free USA/Canada  
**Europe, Middle East and Africa Technical Support:** Phone: 421 33 790 2910  
**Japan Customer Focus Center** Phone: 81-3-5773-3850

**ON Semiconductor Website:** [www.onsemi.com](http://www.onsemi.com)  
**Order Literature:** <http://www.onsemi.com/orderlit>

For additional information, please contact your local Sales Representative

# Mouser Electronics

Authorized Distributor

Click to View Pricing, Inventory, Delivery & Lifecycle Information:

[ON Semiconductor:](#)

[NCV4949ADR2G](#)