

THE INFORMATION CONTAINED HEREIN IS CONSIDERED "PROPRIETARY" TO BEL FUSE INC. AND SHALL NOT BE COPIED, REPRODUCED OR DISCLOSED WITHOUT THE WRITTEN APPROVAL OF BEL FUSE INC.

LED1 POLARITY			LED2 POLARITY		
PIN 7	PIN 8	COLOR	PIN 9	PIN 10	COLOR
-	+	YELLOW	+	-	ORANGE
/	/	/	-	+	GREEN

SCHEMATIC

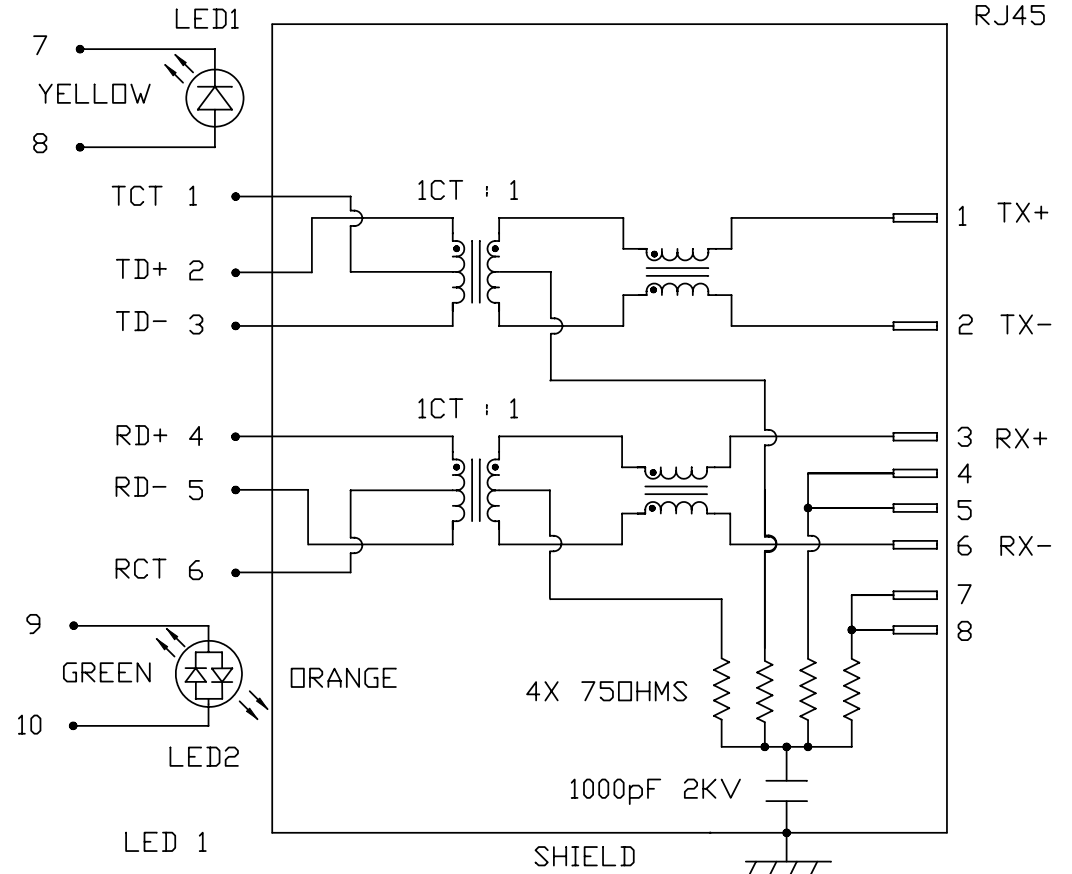
RoHS



RJ45

ELECTRICAL CHARACTERISTICS @ 25°C

<p>URNS RATIO TX RX</p> <p>□CL @ 100kHz/100mVRMS 8mA DC BIAS</p> <p>INS. LOSS 1MHz TO 100MHz</p> <p>RET. LOSS (MIN) 1MHz-30MHz 30MHz-60MHz 60MHz-80MHz</p> <p>CROSS TALK (TX - RX) 500kHz-1MHz 10 MHz 30 MHz 50 MHz 100 MHz</p> <p>CM TO CM REJ 100kHz-1MHz 10 MHz 30 MHz 60 MHz 100 MHz</p> <p>CM TO DM REJ 100kHz-1MHz 10 MHz 30 MHz 60 MHz 100 MHz</p> <p>HIPOT (Isolation Voltage): 100% OF PRODUCTION TESTED TO COMPLY WITH IEEE 802.3 ISOLATION REQUIREMENTS.</p>	<p>1CT : 1 1CT : 1</p> <p>350μH MIN.</p> <p>-1.0 dB MAX</p> <p>-18 dB -18+20LOG(F/30MHz) dB -12 dB</p> <p>-70 dB MIN -50 dB MIN -45 dB MIN -40 dB MIN -35 dB MIN</p> <p>-70 dB MIN -47 dB MIN -42 dB MIN -37 dB MIN -30 dB MIN</p> <p>-70 dB MIN -60 dB MIN -50 dB MIN -45 dB MIN -40 dB MIN</p> <p>1500 Vrms</p>
---	---



LED 1  
VF (FORWARD VOLTAGE) IF=20mA YELLOW 2.1V TYP.  
λD (DOMINANT WAVELENGTH) IF=20mA YELLOW 590nm TYP.

LED 2  
VF (FORWARD VOLTAGE) IF=20mA ORANGE 2.0V TYP.  
GREEN 2.2V TYP.  
λD (DOMINANT WAVELENGTH) IF=20mA ORANGE 610nm TYP.  
GREEN 565nm TYP.

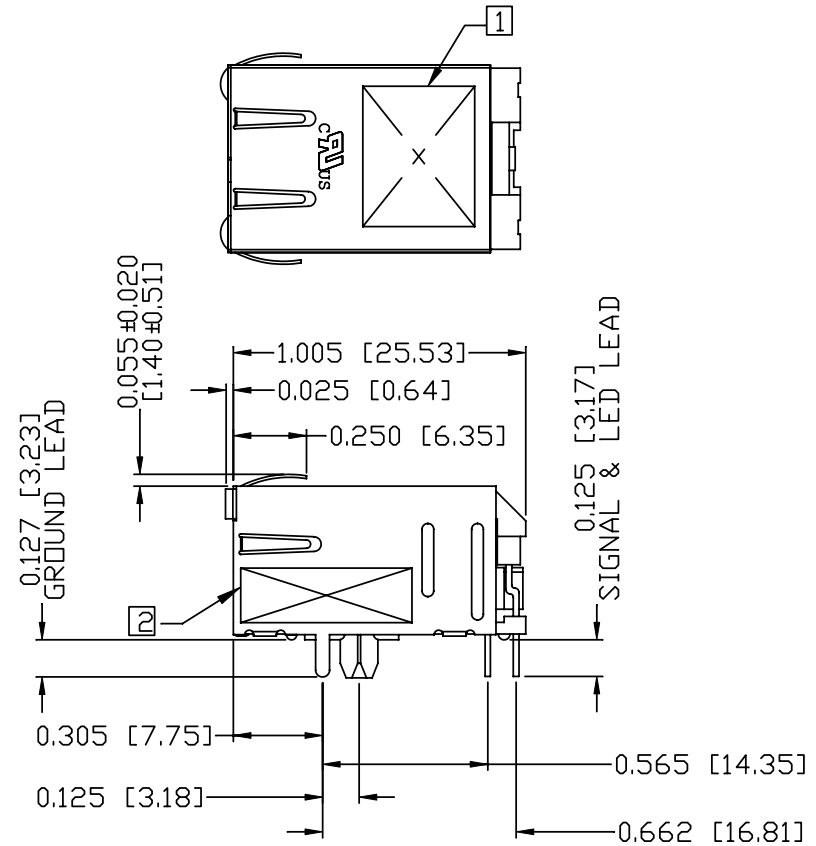
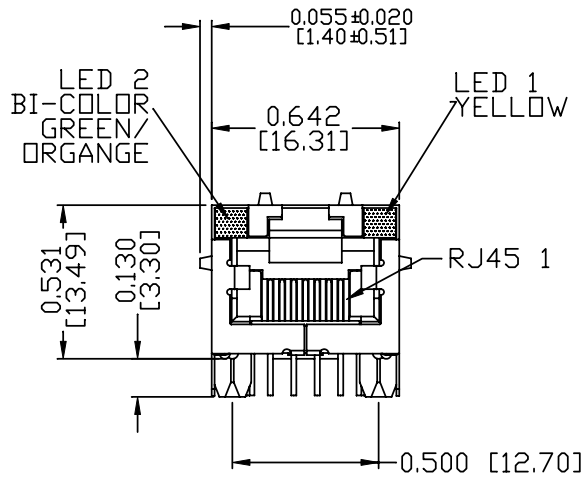
ORIGINATED BY	DATE	TITLE	PART NO. / DRAWING NO.	STANDARD DIM.	[ ] METRIC DIM. AS REFERENCE
CHOW WANCHUNG	2012-07-09	MagJack® (4 Cores, MDIX, CM Termination)	08B01X1T36-F	TOL. IN INCH	UNIT : INCH [mm] REV. : B
DRAWN BY	DATE	08B0-1X1T-36-F PATENTED	FILE NAME	.X	SCALE : N/A SIZE : A4
TAN QIGUANG	2012-07-09		08B01X1T36-F_B.DWG	.XX	⊕ --- --- ---
				.XXX	PAGE : 2



THE INFORMATION CONTAINED HEREIN IS CONSIDERED "PROPRIETARY" TO BEL FUSE INC. AND SHALL NOT BE COPIED, REPRODUCED OR DISCLOSED WITHOUT THE WRITTEN APPROVAL OF BEL FUSE INC.

MECHANICAL SPECIFICATION

RoHS



NOTES:

- PLASTIC HOUSING: THERMOPLASTIC PBT  
FLAMMABILITY RATING UL 94V-0
- CONTACTS PLATING: 15 MICRO-INCH HARD GOLD PLATING OR EQUIVALENT.
- PINS: TIN-COATED COPPER WIRE, DIA 0.018 INCH.
- METAL SHIELD: PRE-PLATED NICKEL ON COPPER ALLOY.
- ① MARK PART WITH MFG LOGO, MFG NAME, PART NUMBER AND DATE CODE.
- ② "PATENTED" MARKING.

- 3. THE PRODUCT IS RoHS COMPLIANT.
- 4. JACK CAVITY CONFORMS TO FCC RULES AND REGULATIONS, PART 68 SUBPART F.
- 5. THE PRODUCT IS PATENTED, THE PATENT NUMBER IS U.S. PAT. 5,736,910.

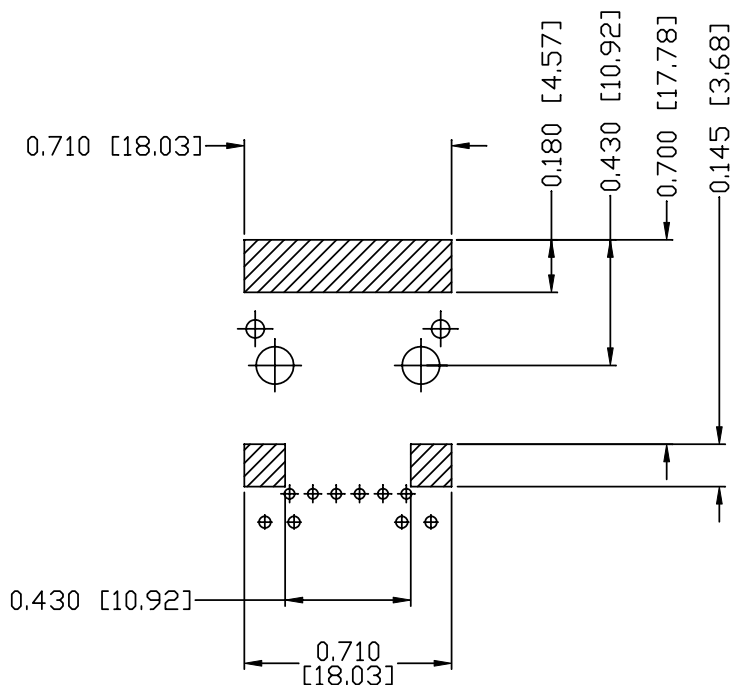
c UL RECOGNIZED - FILE #E196366 AND E169987.

ORIGINATED BY ANTON LIAO	DATE 2012-07-09	TITLE MagJack® (4 Cores, MDIX, CM Termination)	PART NO. / DRAWING NO. 08B01X1T36-F	STANDARD DIM. TOL. IN INCH		[ ] METRIC DIM. AS REFERENCE	
				.X		UNIT : INCH [mm]	REV. : B
DRAWN BY HE ZHEN	DATE 2012-07-09	08B0-1X1T-36-F PATENTED	FILE NAME 08B01X1T36-F_B.DWG	.XX		SCALE : N/A	SIZE : A4
				.XXX	±0.010		PAGE : 3

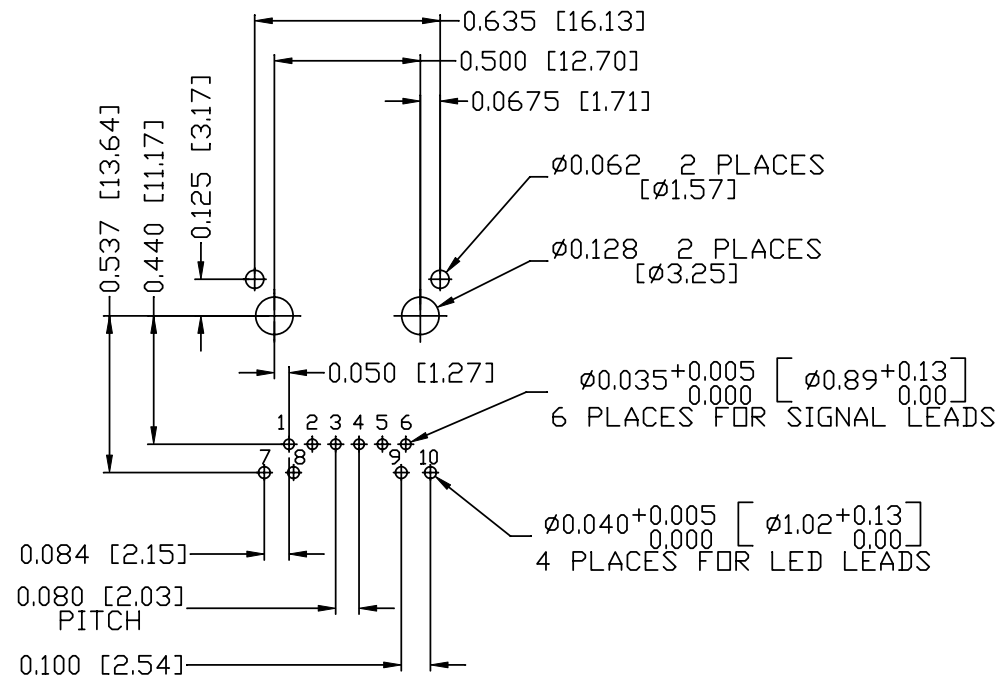


THE INFORMATION CONTAINED HEREIN IS CONSIDERED "PROPRIETARY" TO BEL FUSE INC. AND SHALL NOT BE COPIED, REPRODUCED OR DISCLOSED WITHOUT THE WRITTEN APPROVAL OF BEL FUSE INC.

RoHS



RECOMMENDED PCB FOOTPRINT  
COMPONENT SIDE VIEW



NOTES:

THE SHADED AREA ON THE CUSTOMER BOARD ARE RECOMMENDED TO BE CLEAR OFF ANY VIA HOLE OR COMPONENT PAD.

ORIGINATED BY ANTON LIAO	DATE 2012-07-09	TITLE MagJack® (4 Cores, MDIX, CM Termination)	PART NO. / DRAWING NO. 08B01X1T36-F	STANDARD DIM. TOL. IN INCH	[ ] METRIC DIM. AS REFERENCE
DRAWN BY HE ZHEN	DATE 2012-07-09	08B0-1X1T-36-F PATENTED	FILE NAME 08B01X1T36-F_B.DWG	.X .XX .XXX ±0.004	UNIT : INCH [mm] SCALE : N/A REV. : B SIZE : A4 PAGE : 4

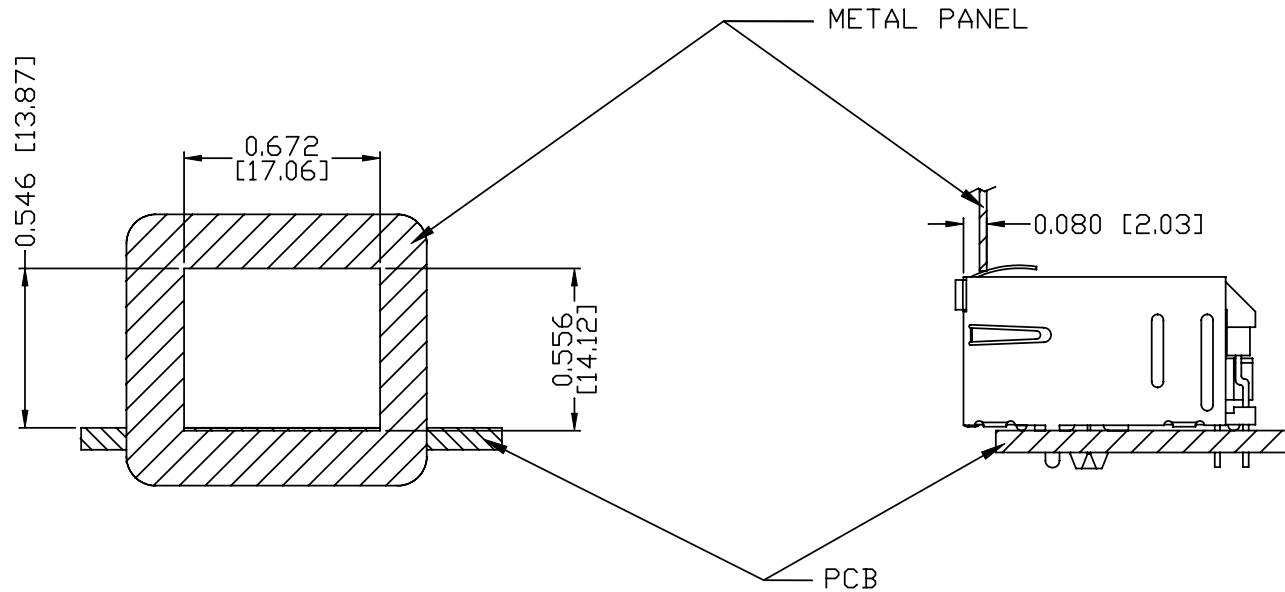


THE INFORMATION CONTAINED HEREIN IS CONSIDERED "PROPRIETARY" TO BEL FUSE INC. AND SHALL NOT BE COPIED, REPRODUCED OR DISCLOSED WITHOUT THE WRITTEN APPROVAL OF BEL FUSE INC.

RoHS



SUGGESTED PANEL OPENING



NOTE:

THE DISTANCE OF PANEL INSIDE SURFACE RELATIVE TO FRONT SURFACE OF PART IS ONLY A SUGGESTION. IN CASE THIS DISTANCE IS DIFFERENT, THE REQUIRED PANEL OPENING DIMENSIONS CHANGE ACCORDINGLY.

PACKING INFORMATION

PACKING TRAY : 0200-9999-D4(TOP)

0200-9999-D5(BOTTOM)

PACKING QUANTITY : 60 PCS FINISHED GOODS PER TRAY

11 TRAYS (660 PCS FINISHED GOODS) PER CARTON BOX

NOTE : CARDBOARDS ARE PLACED BETWEEN LAYERS OF PACKING TRAY INSIDE CARTON BOX  
(INCLUDE THE UPPERMOST AND LOWERMOST TRAY)

ORIGINATED BY ANTON LIAO	DATE 2012-07-09	TITLE MagJack® (4 Cores, MDIX, CM Termination)	PART NO. / DRAWING NO. 08B01X1T36-F	STANDARD DIM.		[ ] METRIC DIM. AS REFERENCE	
				TOL. IN INCH		UNIT : INCH [mm]	REV. : B
DRAWN BY HE ZHEN	DATE 2012-07-09	08B0-1X1T-36-F PATENTED	FILE NAME 08B01X1T36-F_B.DWG	.X	±0.004	SCALE : N/A	SIZE : A4
				.XX		SCALE : N/A	SIZE : A4
				.XXX		SCALE : N/A	SIZE : A4
					PAGE : 5		 COMPONENTS FOR A CONNECTED PLANET