

FEP16AT THRU FEP16JT

FAST EFFICIENT PLASTIC RECTIFIER

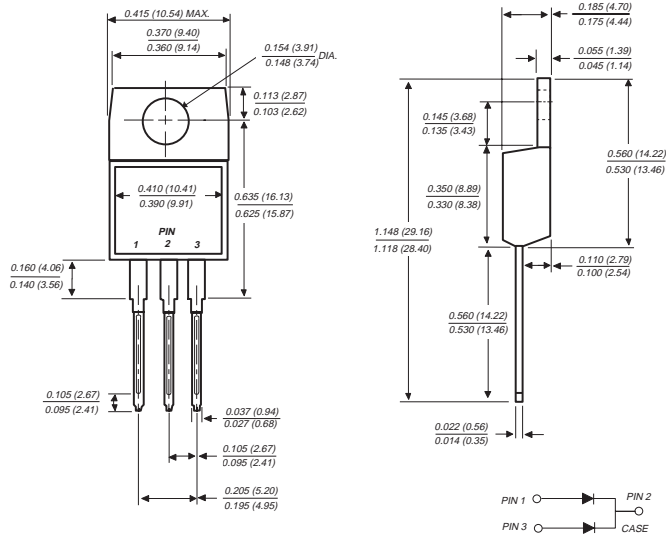
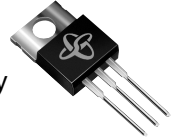
Reverse Voltage - 50 to 600 Volts

Forward Current - 16.0 Amperes

TO-220AB

FEATURES

- ◆ Plastic package has Underwriters Laboratory Flammability Classification 94V-0
- ◆ Dual rectifier construction, positive centertap
- ◆ Glass passivated chip junctions
- ◆ Low power loss
- ◆ Low forward voltage, high current capability
- ◆ High surge current capability
- ◆ Superfast recovery times for high efficiency
- ◆ High temperature soldering guaranteed: 250°C, 0.16" (4.06mm) from case for 10 seconds



Dimensions are in inches and (millimeters)

MECHANICAL DATA

Case: JEDEC TO-220AB molded plastic body over passivated chips

Terminals: Plated leads solderable per MIL-STD-750, Method 2026

Polarity: As marked

Mounting Position: Any

Mounting Torque: 5 in. - lbs. max.

Weight: 0.08 ounce, 2.24 grams

MAXIMUM RATINGS AND ELECTRICAL CHARACTERISTICS

Ratings at 25°C ambient temperature unless otherwise specified.

	SYMBOLS	FEP 16AT	FEP 16BT	FEP 16CT	FEP 16DT	FEP 16FT	FEP 16GT	FEP 16HT	FEP 16JT	UNITS	
Maximum repetitive peak reverse voltage	V _{RRM}	50	100	150	200	300	400	500	600	Volts	
Maximum RMS voltage	V _{RMS}	35	70	105	140	210	280	350	420	Volts	
Maximum DC blocking voltage	V _{DC}	50	100	150	200	300	400	500	600	Volts	
Maximum average forward rectified current at T _C =100°C	I _(AV)	16.0								Amps	
Peak forward surge current 8.3ms single half sine-wave superimposed on rated load (JEDEC Method)	I _{FSM}	200.0								Amps	
Maximum instantaneous forward voltage per leg at 8.0A	V _F	0.95			1.3		1.5			Volts	
Maximum DC reverse current at rated DC blocking voltage per leg	I _R	10.0			500.0					μA	
Maximum reverse recovery time (NOTE 1) per leg	t _{rr}	35.0			50.0					ns	
Typical junction capacitance per leg (NOTE 2)	C _J	85.0						60.0			pF
Typical thermal resistance (NOTE 3)	R _{θJA} R _{θJC}	15.0				2.2					°C/W
Operating junction and storage temperature range	T _J , T _{STG}	-55 to +150								°C	

NOTES:

(1) Reverse recovery test conditions: I_F=0.5A, I_R=1.0A, I_{rr}=0.25A

(2) Measured at 1.0 MHz and applied reverse voltage of 4.0 Volts

(3) Thermal resistance from junction to ambient and from junction to case per leg mounted on heatsink

RATINGS AND CHARACTERISTICS CURVES FEP16AT THRU FEP16JT

FIG. 1 - FORWARD CURRENT DERATING CURVE

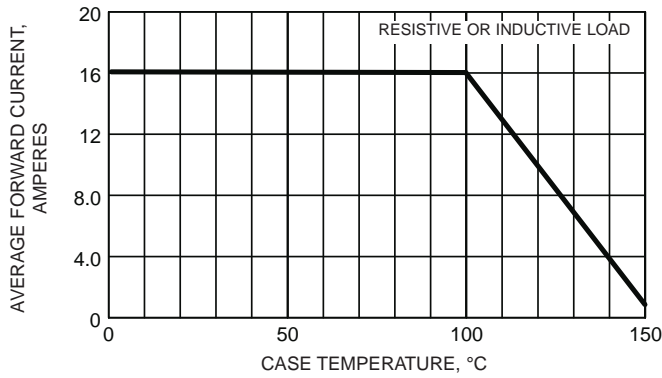


FIG. 2 - MAXIMUM NON-REPETITIVE PEAK FORWARD SURGE CURRENT

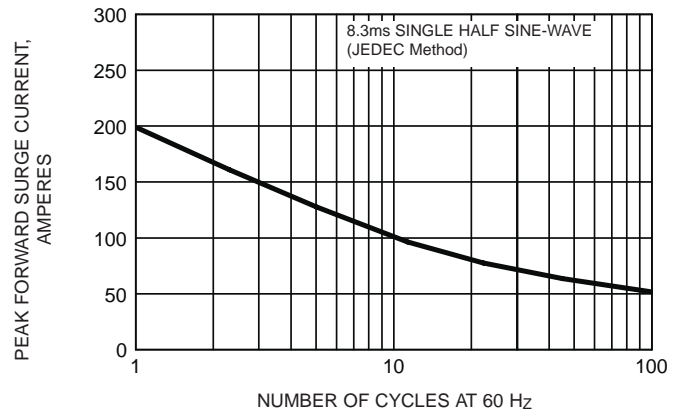


FIG. 3 - TYPICAL INSTANTANEOUS FORWARD CHARACTERISTICS PER LEG

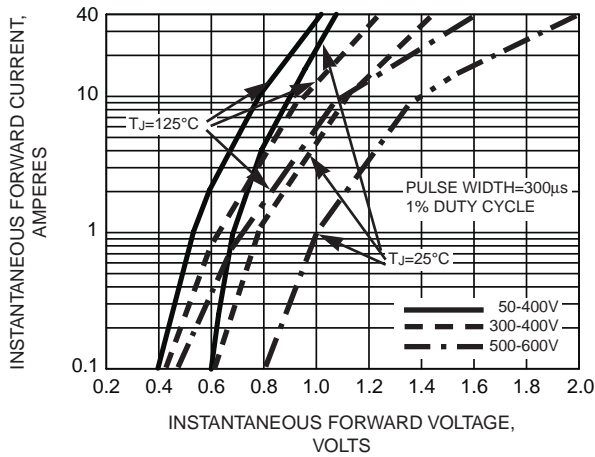


FIG. 4 - TYPICAL REVERSE CHARACTERISTICS PER LEG

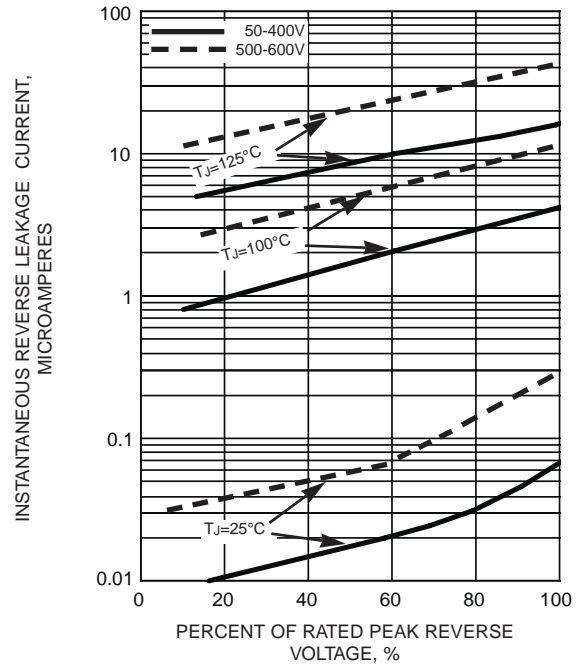


FIG. 5 - TYPICAL JUNCTION CAPACITANCE PER LEG

