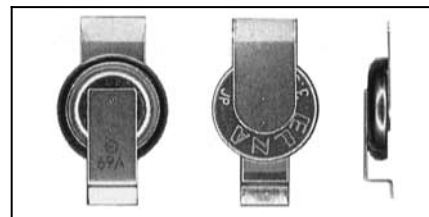


Coin Cell Capacitors

GREEN CAP 60°C / 70°C

- Reflow soldering method available.
- Unlike batteries, the number of charging/ discharging cycles unlimited and rapid charging/ discharging is possible.
- Unlike batteries, excellent charge and discharge characteristics with no chemical reactions.
- 1.8mm height type 614 made lineup in the DS, DSK series.



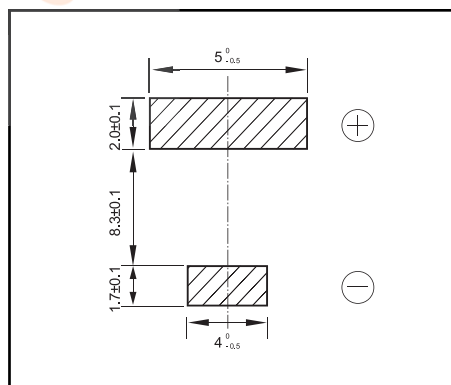
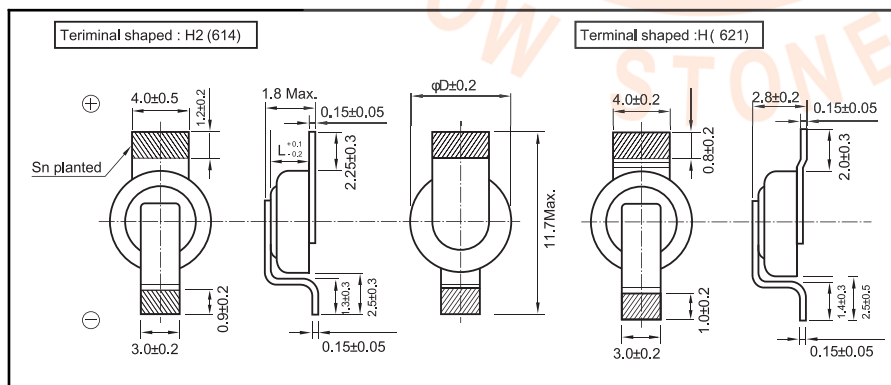
SPECIFICATIONS

Item	Performance					
Series Name	Series DS			Series DSK		
Max. operating voltage	2.5V			3.3V		
Category Temperature Range	-25°C~+70°C			-10°C~+60°C		
Tolerance at rated capacitance	-20%~+80%			-20%~+80%		
Internal resistance at 1 kHz	Size code	614	621	Size code	614	621
	Rated capacitance (F)	0.2	0.33	Rated capacitance (F)	0.2	0.33
	Internal resistance (Ω)	100	100	Internal resistance (Ω)	200	200
Characteristics at high and low temperature	Size code	614	621	Size code	614	621
	Rated capacitance (F)	Within ±30% of the value at 20°C		Rated capacitance (F)	Within ±50% of the value at 20°C	
	Internal resistance (Ω)	Less than five times of the value at 20°C		Internal resistance (Ω)	Less than five times of the value at 20°C	
Endurance	Size code	614	621	Size code	614	621
	Test time and temp	70°C 1000 hours	70°C 500 hours	Test time and temp	60°C 1000 hours	60°C 500 hours
	Rated capacitance (F)	Within ±30% of the initial measured value		Rated capacitance (F)	Within ±30% of the initial measured value	
	Internal resistance (Ω)	1kΩ Max.	400Ω Max	Internal resistance (Ω)	2kΩ Max.	800Ω Max
Shelf life	Same as endurance.			Same as endurance.		
Applicable standards	Conforms to JIS C5160-1 2009 (IEC 62391-1 2006)					

OUTLINE DRAWING

Unit : mm

Recommended land pattern size



\*Please consult with us about other terminal form.

DCK	2R5	H	204	T614	H2	L
Series code	Max. operating voltage symbol		Rated capacitance symbol	Additional symbol	Terminal shaped	Taping

Part number is refer to below table.

DCK	3R3	H	334	T	H	L
Series code	Max. operating voltage symbol		Rated capacitance symbol	Additional symbol	Terminal shaped	Taping

Part number is refer to below table.

STANDARD RATINGS

Max. operating voltage (V)	Rated capacitance (F)	ELNA Parts No.	φD×L (mm)
2.5	0.20	DS-2R5H204T614-H2L	6.8×1.4
3.3	0.20	DSK-3R3H204T614-H2L	6.8×1.4
2.5	0.33	DS-2R5H334T-HL	6.8×2.1
3.3	0.33	DSK-3R3H334T-HL	6.8×2.1