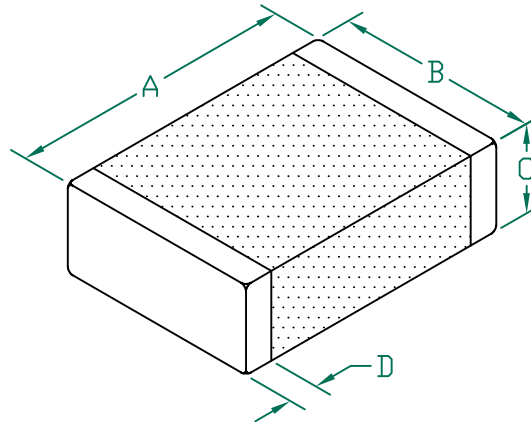


HI1812V101R-10

UNCONTROLLED DOCUMENT

PHYSICAL DIMENSIONS:

| | | |
|---|-------------|---------------|
| A | 4.50 [.177] | + 0.25 [.010] |
| B | 3.20 [.126] | + 0.25 [.010] |
| C | 2.30 [.091] | + 0.25 [.010] |
| D | 0.65 [.026] | + 0.45 [.018] |



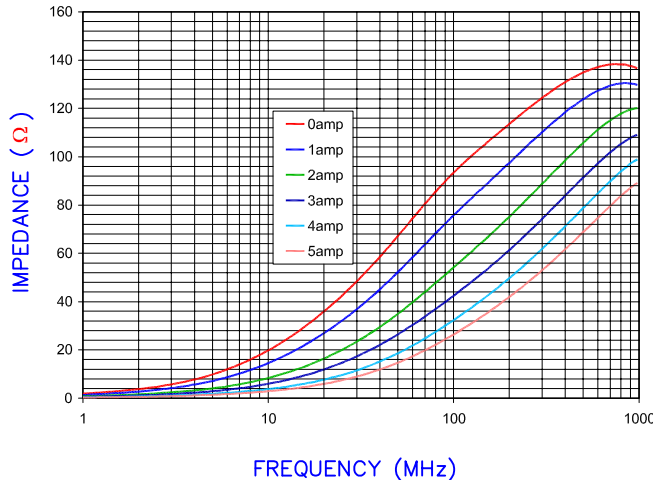
ELECTRICAL CHARACTERISTICS:

| Z @ 100MHz (Ω) | DCR (Ω) | Rated Current |
|-------------------|------------|---------------|
| Nominal | 100 | |
| Minimum | 75 | |
| Maximum | 125 | 0.007 |
| | | 8000 mA |

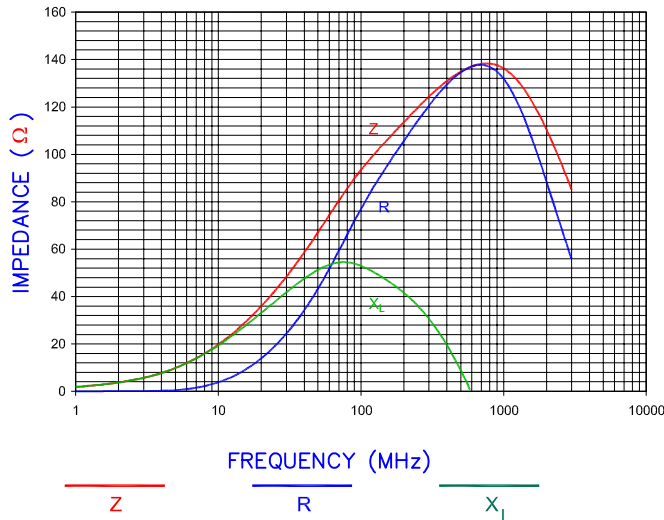
NOTES: UNLESS OTHERWISE SPECIFIED

1. TAPED AND REELED per CURRENT EIA SPECIFICATIONS 13" REELS, 2500 PCS/REEL.
2. TERMINATION FINISH IS 100% TIN.
3. COMPONENTS SHOULD BE ADEQUATELY PREHEATED BEFORE SOLDERING.
4. OPERATEING TEMPERATURE TEMP: -40°C~+125°C (INCLUDING SELF-HEATING)

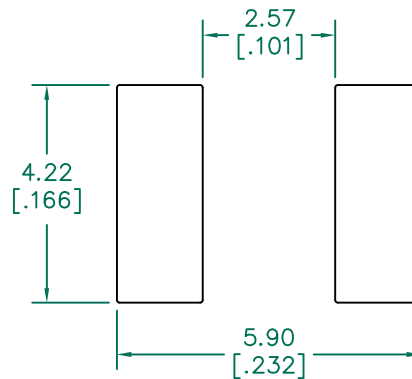
Z vs FREQUENCY
IMPEDANCE UNDER DC BIAS



|Z|, R, AND X vs. FREQUENCY

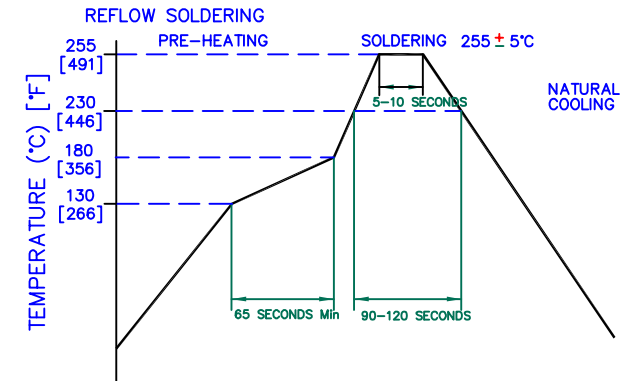


LAND PATTERNS FOR REFLOW SOLDERING



(For wave soldering, add 0.762 [.030] to this dimension)

RECOMMENDED SOLDERING CONDITIONS



DIMENSIONS ARE IN mm [INCHES].

This print is the property of Laird Tech. and is loaned in confidence subject to return upon request and with the understanding that no copies shall be made without the written consent of Laird Tech. All rights to design or invention are reserved.



| | | | | | | | |
|-----|--|----------|-----|---|-----------------|------------------------------|-------------------------|
| D | ADD OPERATING TEMPERATURE UPDATE LAIRD LOGO AND REFLOW CURVE | 08/05/13 | QU | PROJECT/PART NUMBER: HI1812V101R-10 | REV D | PART TYPE: CO-FIRE | DRAWN BY: TMB |
| C | UPDATE THE DCR AND D | 11/06/09 | JUN | DATE: 04/02/04 | SCALE: - | SHEET: 2 of 2 | |
| B | UPDATE COMPANY LOGO, ADD ROHS SYMBOL | 01/23/08 | JRK | GAD # | TOOL # | | |
| A | ORIGINAL DRAFT | 04/02/04 | TMB | | | | |
| REV | DESCRIPTION | DATE | INT | HI1812V101R-10-D | | | |