

MATERIAL AND FINISHES:

BASE: LCP

CONTACT: BRASS

C2680 (t=0.15)

PLATED: GOLD (0.03 MICROMETER MINIMUM) OVER NICKEL (1~4 MICROMETER)

OUTER CONTACT: PHOSPHOR BRONZE (JIS 5191-SH) C5210 (t=0.12)

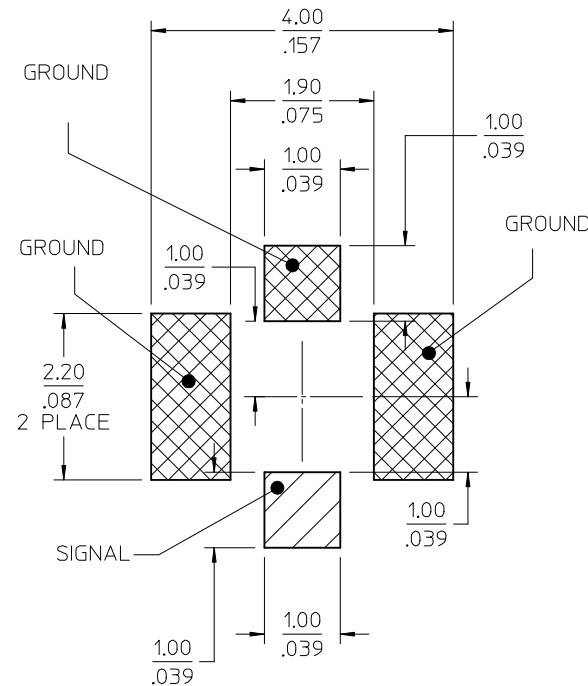
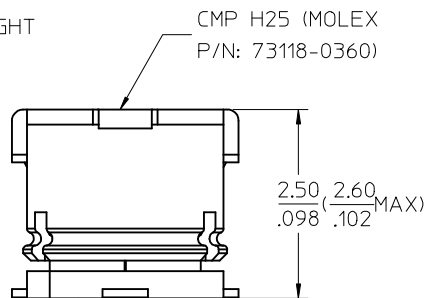
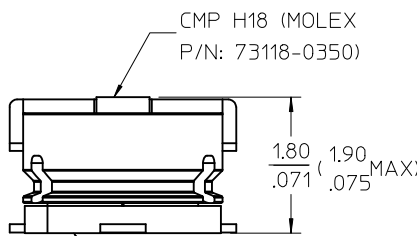
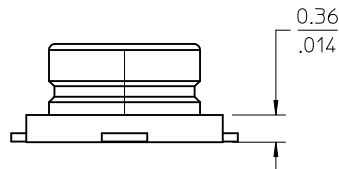
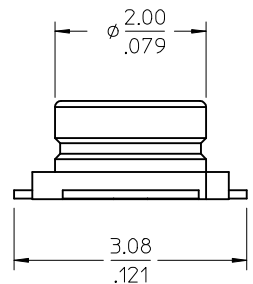
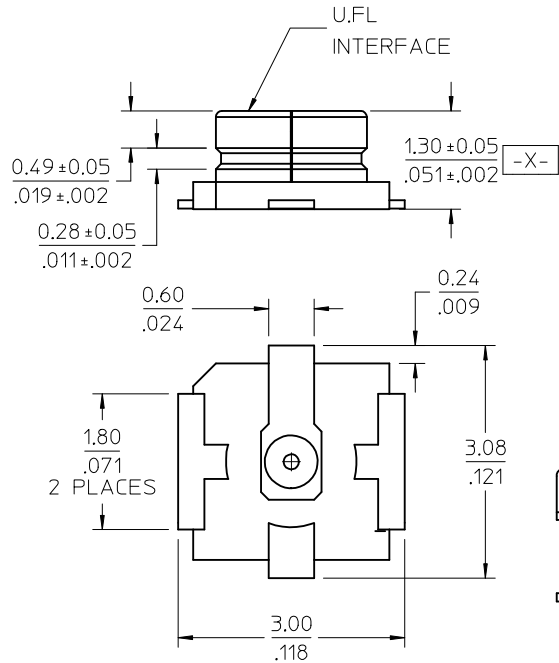
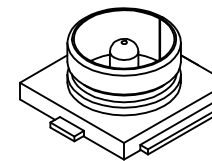
PLATED: GOLD (0.03 MICROMETER MINIMUM) OVER NICKEL (1~4 MICROMETER)

WILL WITHSTAND REFLOW TEMPERATURE OF 265 DEG C ±5 DEG

VSWR

DC-3GHz: 1.18 MAX

DC-6GHz: 1.30 MAX



PS-73598-0210	PROD SPEC
SPECIFICATION	DESCRIPTION

(NOT INCLUDED WITH 73118-0350 ASSEMBLY)

(NOT INCLUDED WITH 73118-0360 ASSEMBLY)

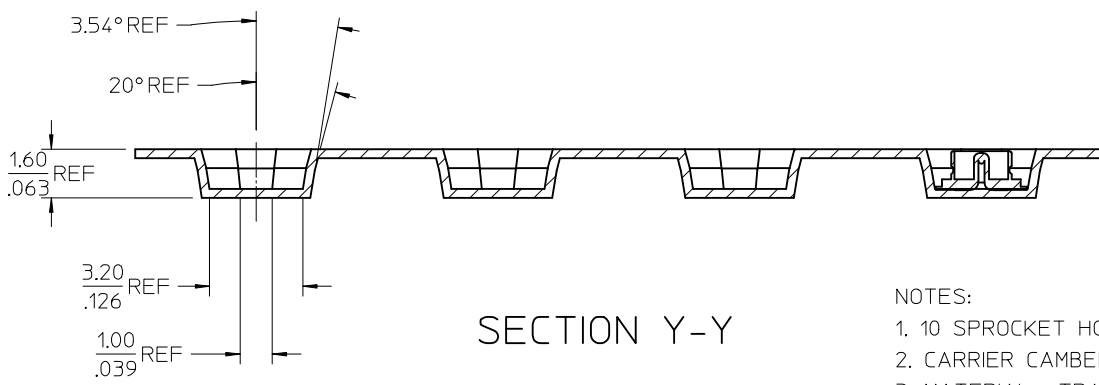
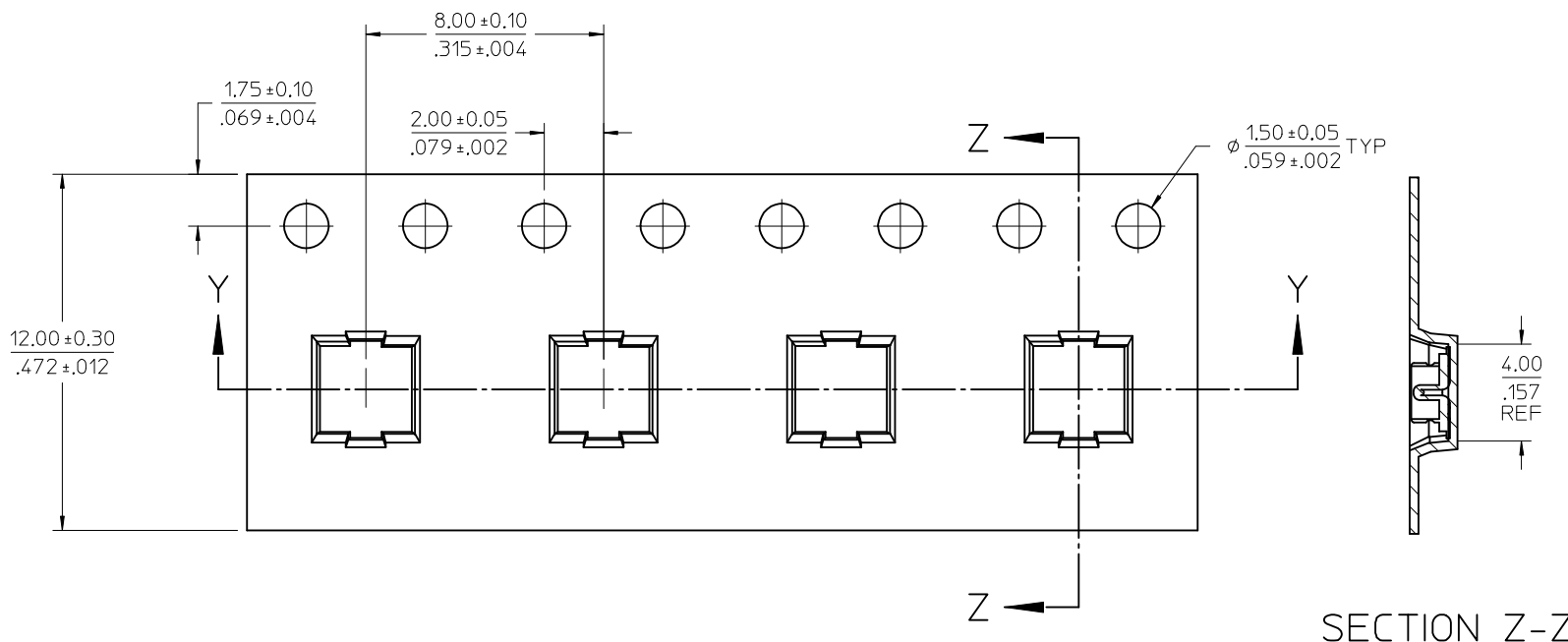
73412-0114	TAPE AND REEL (1K/REEL)
73412-0112	73412-0110, 10 PIECES PER BAG IN TAPE
73412-0110	TAPE AND REEL (5K/REEL)
PART NO.	PACKAGING

CHG: REMOVE OPTIONAL NOTE FROM NOTCH AND PCB LAYOUT	EC NO: URF2014-0056	QUALITY SYMBOLS	GENERAL TOLERANCES (UNLESS SPECIFIED)	DIMENSION STYLE	SCALE	DESIGN UNITS	THIRD ANGLE PROJECTION
	DRWN: JWIENER 2013/07/24						
	CHKD: SSS 2013/07/24	▽=0	4 PLACES ± --- ± ---	DRAWN BY	DATE	TITLE	
	APPR: JWIENER 2013/07/29	▽=0	3 PLACES ± --- ± ---	CHECKED BY	DATE	MICRO COAXIAL CONNECTOR RECEPTACLE VERTICAL EWR-4537	
			2 PLACES ± 0.25 ± ---	APPROVED BY	DATE	MOLEX INCORPORATED	
			1 PLACE ± 0.13 ± ---	MHUANG	2010/11/28	SD-73412-011	SHEET NO. 1 OF 2
			ANGULAR ± 2 °	MATERIAL NO.	DOCUMENT NO.		
			DRAFT WHERE APPLICABLE MUST REMAIN WITHIN DIMENSIONS	SEE TABLE			

CMJ (MOLEX P/N: 73412-0110) (NOT INCLUDED WITH 73118-0350 ASSEMBLY)

CMJ (MOLEX P/N: 73412-0110) (NOT INCLUDED WITH 73118-0360 ASSEMBLY)

THIS DRAWING CONTAINS INFORMATION THAT IS PROPRIETARY TO MOLEX INCORPORATED AND SHOULD NOT BE USED WITHOUT WRITTEN PERMISSION



SECTION Z-Z

SECTION Y-Y

- NOTES:
- 10 SPROCKET HOLE PITCH CUMULATIVE TOLERANCE  $\pm 0.20\text{mm}$
  - CARRIER CAMBER IS WITH 1mm IN 250mm
  - MATERIAL : TRANSPARENT POLYSTYRENE
  - ALL DIMENSIONS MEET EIA-481-1 REQUIREMENT
  - COMPONENT LOAD PER 13" REEL (5,000 PCS),  
COMPONENT LOAD PER 7" REEL (1,000 PCS).

<b>CHG: SEE SHEET 1</b> EC NO: URF2014-0056 DRWN: JWIENER 2013/07/24 CHKD: SSS 2013/07/24 APPR: JWIENER 2013/07/29	QUALITY SYMBOLS $\nabla=0$ $\nabla=0$	GENERAL TOLERANCES (UNLESS SPECIFIED)		DIMENSION STYLE <b>MM/IN</b>	SCALE <b>METRIC</b>	DESIGN UNITS <b>METRIC</b>	THIRD ANGLE PROJECTION		
		4 PLACES $\pm$ --- $\pm$ --- 3 PLACES $\pm$ --- $\pm$ --- 2 PLACES $\pm 0.25$ $\pm$ --- 1 PLACE $\pm 0.13$ $\pm$ ---	mm INCH mm INCH mm INCH mm INCH	DRAWN BY DARRY	DATE 2003/1/27			TITLE <b>MICRO COAXIAL CONNECTOR RECEPTACLE VERTICAL EWR-4537</b>	
		ANGULAR $\pm 2^\circ$		CHECKED BY JOHNSON	DATE 2003/1/27	APPROVED BY MHUANG	DATE 2010/11/28	<b>MOLEX</b>	<b>MOLEX INCORPORATED</b>
		DRAFT WHERE APPLICABLE MUST REMAIN WITHIN DIMENSIONS		MATERIAL NO. <b>SEE SHEET 1</b>		DOCUMENT NO. <b>SD-73412-011</b>	SHEET NO. <b>2 OF 2</b>		