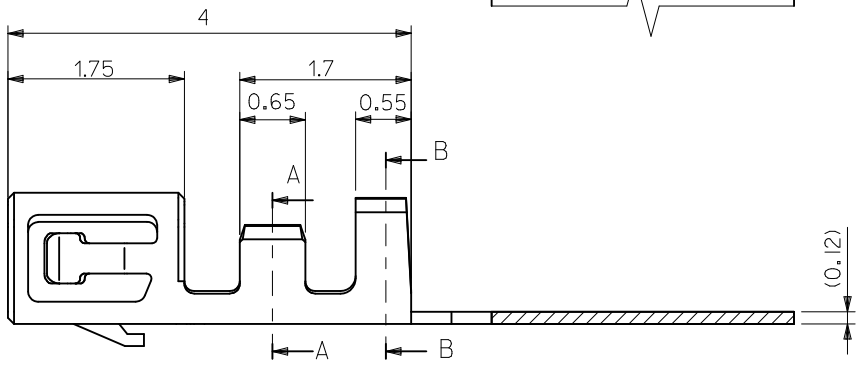
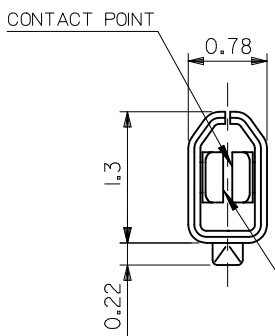
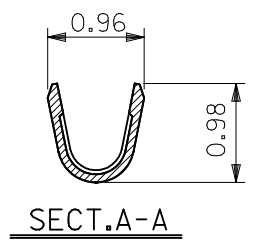
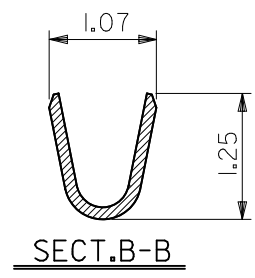
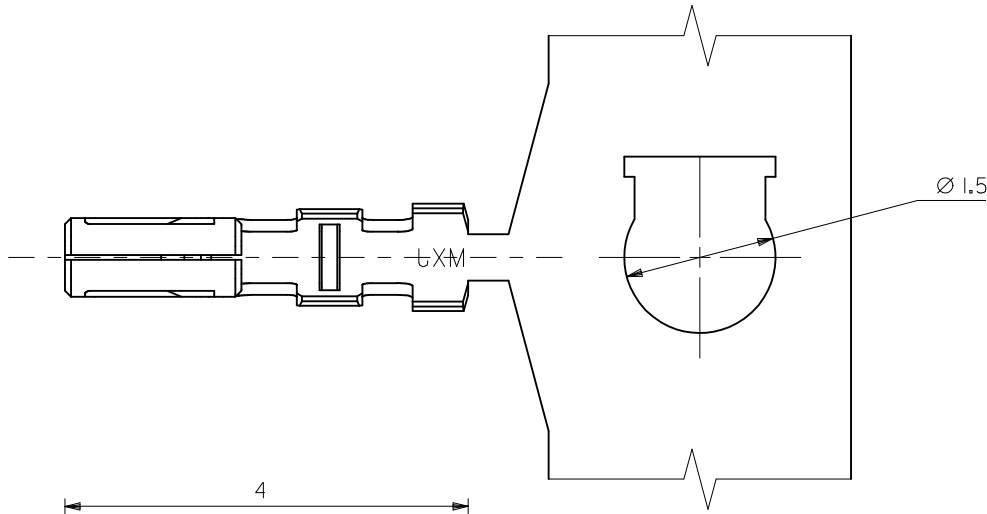


10 9 8 7 6 5 4 3 2 1

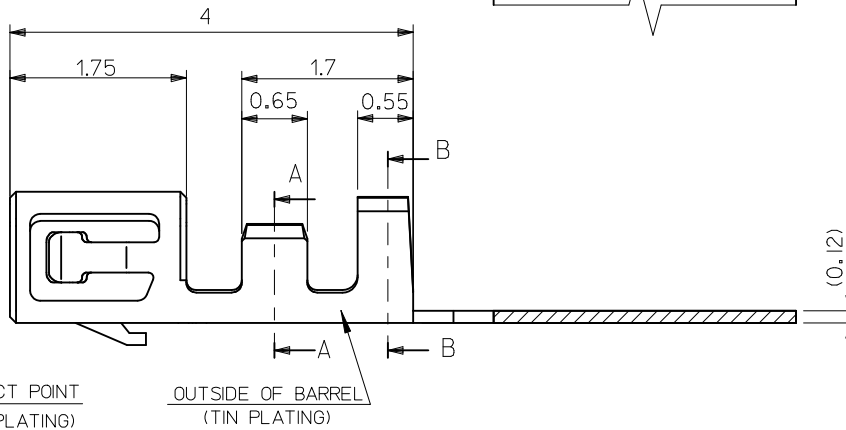
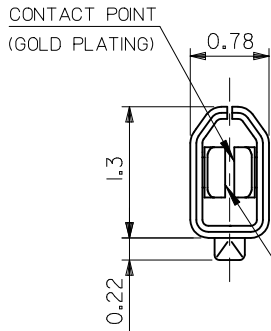
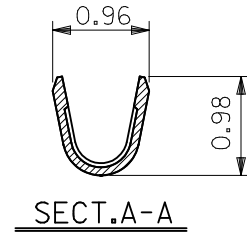
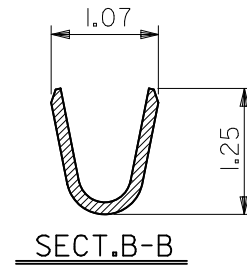
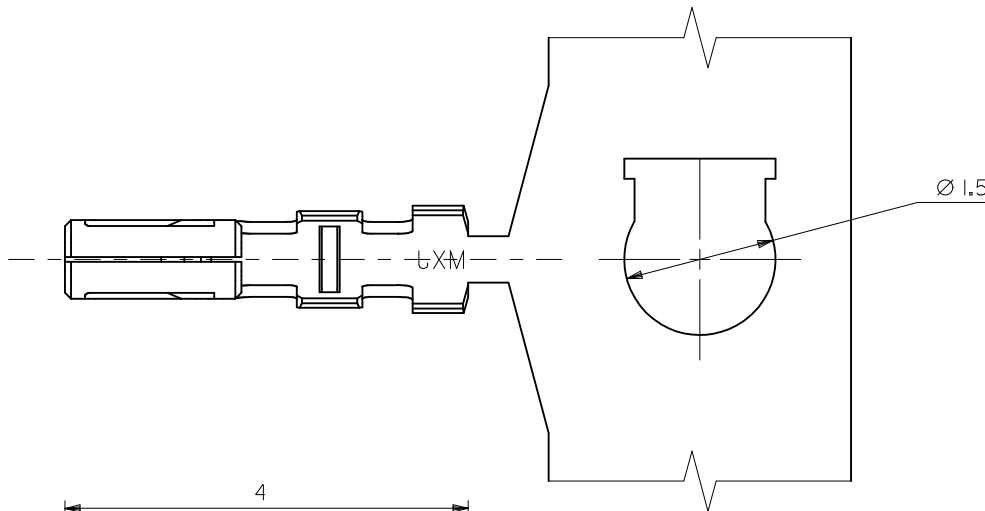


NOTES.

- 適合ハウジング: 501189-****
APPLICABLE HOUSING : 501189-****
- メッキ仕様 (前メッキ)
PLATING (PRE-PLATING)
接点部金メッキ: 0.1μm MIN.
CONTACT AREA GOLD PLATING
下地ニッケルメッキ: 1.0μm MIN.
UNDER PLATING NICKEL PLATING
- 本製品は 501193 の部分金メッキ品である。
THIS PRODUCT IS A PRODUCT THAT GAVE 501193
A PARTIAL GOLD PLATE.

501193-2100	バラ状 LOOSE
501193-2000	連鎖状 CHAIN
MATERIAL NO.	端子形状 FORM

MATERIAL リン青銅 下地ニッケル、部分金メッキ品 PHOSPHOR BRONZE t=0.12 PRE-GOLD PLATING PRE-UNDER NICKEL PLATING	REVISED EC NO: J2010-1758 DRWN: HOKUBAYASHI 2010/03/02 CHKD: SSAT003 2010/03/02 APPR: NUKITA 2010/03/02	GENERAL TOLERANCES (UNLESS SPECIFIED)		DIMENSION STYLE MM ONLY	SCALE 20:1	DESIGN UNITS METRIC	THIRD ANGLE PROJECTION
		10 UNDER ±0.2 10 OVER 30 UNDER ±0.25 30 OVER ±0.3	DRAWN BY M. NABEI '07/11/13	DATE '07/11/13	TITLE 1.0 WIRE TO BOARD CONN. CRIMP REC TERMINAL		
		ANGULAR ±3 ° DRAFT WHERE APPLICABLE MUST REMAIN WITHIN DIMENSIONS	CHECKED BY K. TOYODA '07/11/13	DATE '07/11/13	MOLEX INCORPORATED		
		SEE NOTE WIRE RANGE AWG#28-32 INS. RANGE ø 0.4-0.8	APPROVED BY NUKITA '07/11/13	DATE '07/11/13	MATERIAL NO. SEE TABLE	DOCUMENT NO. SD-501193-002	SHEET NO. 1 OF 1



NOTES.

- 適合ハウジング: 501189-****
APPLICABLE HOUSING : 501189-****
- メッキ仕様 (前メッキ)
PLATING (PRE-PLATING)
接点部金メッキ: 0.1 μm MIN.
CONTACT AREA GOLD PLATING
バレル外面 錫メッキ: 0.9 μm MIN.
OUTSIDE OF BARREL TIN PLATING
下地ニッケルメッキ: 1.0 μm MIN.
UNDER PLATING NICKEL PLATING
- 本製品はコンタクト部 金メッキ品である。
THIS PRODUCT IS GOLD PLATING FOR CONTACT POINT.
- 本製品はバレル外面 錫メッキ品である。
THIS PRODUCT IS TIN PLATING OUTSIDE A BARREL.
- ELV AND RoHS COMPLIANT.

501193-3100	バラ状 LOOSE
501193-3000	連鎖状 CHAIN
MATERIAL NO.	端子形状 FORM

MATERIAL リン青銅 下地ニッケル、部分金メッキ、錫メッキ品 PHOSPHOR BRONZE t=0.12 SELECTIVE GOLD PLATING SELECTIVE TIN PLATING UNDER NICKEL PLATING	RELEASED EC NO: J2011-0328 DRWN:TKON 2010/09/01 CHKD: 2010/09/02 APPR:NUKITA 2010/09/02	GENERAL TOLERANCES (UNLESS SPECIFIED) 10 UNDER ±0.2 10 OVER 30 UNDER ±0.25 30 OVER ±0.3 ANGULAR ±3 ° DRAFT WHERE APPLICABLE MUST REMAIN WITHIN DIMENSIONS	DIMENSION STYLE MM ONLY DRAWN BY TKON DATE 2010/09/01 CHECKED BY DATE APPROVED BY NUKITA DATE 2010/09/02 MATERIAL NO. SEE TABLE	SCALE 20:1 DESIGN UNITS METRIC THIRD ANGLE PROJECTION TITLE 1.0 WIRE TO BOARD CONN. CRIMP REC TERMINAL	MOLEX INCORPORATED DOCUMENT NO. SD-501193-003 SHEET NO. 1 OF 1