

TLV3691 0.9-V to 6.5-V, Nanopower Comparator

1 Features

- Low Quiescent Current: 75 nA
- Wide Supply:
 - 0.9 V to 6.5 V
 - ± 0.45 V to ± 3.25 V
- MicroPackages: DFN-6 (1 mm × 1 mm), 5-Pin SC70
- Input Common-Mode Range Extends 100 mV Beyond Both Rails
- Response Time: 24 μ s
- Low Input Offset Voltage: ± 3 mV
- Push-Pull Output
- Industrial Temperature Range: -40°C to 125°C

2 Applications

- Overvoltage and Undervoltage Detection
- Window Comparators
- Overcurrent Detection
- Zero-Crossing Detection
- System Monitoring:
 - Smart Phones
 - Tablets
 - Industrial Sensors
 - Portable Medical

3 Description

The TLV3691 offers a wide supply range, low quiescent current 150 nA (maximum), and rail-to-rail inputs. All of these features come in industry-standard and extremely small packages, making this device an excellent choice for low-voltage and low-power applications for portable electronics and industrial systems.

Available as a single channel, the low-power, wide supply, and temperature range makes this device flexible enough to handle almost any application from consumer to industrial. The TLV3691 is available in SC70-5 and 1-mm × 1-mm DFN-6 packages. This device is specified for operation across the expanded industrial temperature range of -40°C to 125°C .

Device Information⁽¹⁾

PART NUMBER	PACKAGE	BODY SIZE (NOM)
TLV3691	SC70 (5)	1.25 mm × 2.00 mm
	X2SON (6)	1.00 mm × 1.00 mm

(1) For all available packages, see the orderable addendum at the end of the data sheet.

Nano-Power Operation

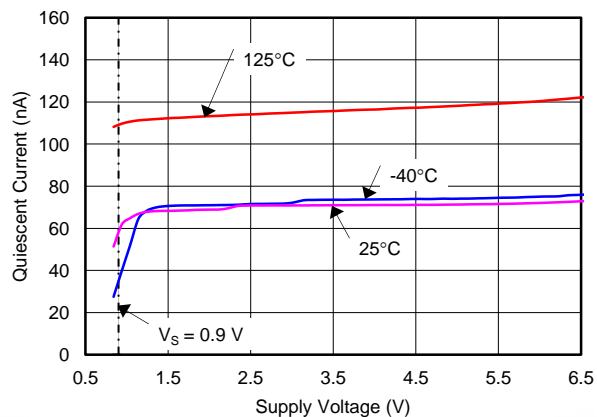


Table of Contents

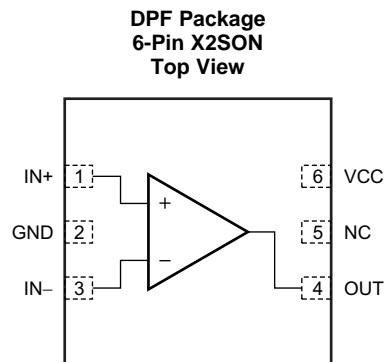
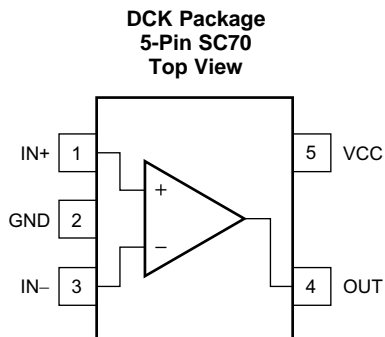
1 Features 1 2 Applications 1 3 Description 1 4 Revision History 2 5 Pin Configuration and Functions 3 6 Specifications 4 6.1 Absolute Maximum Ratings 4 6.2 ESD Ratings 4 6.3 Recommended Operating Conditions 4 6.4 Thermal Information 4 6.5 Electrical Characteristics 5 6.6 Switching Characteristics 6 6.7 Typical Characteristics 7 7 Detailed Description 12 7.1 Overview 12 7.2 Functional Block Diagram 12 7.3 Feature Description 12	7.4 Device Functional Modes 12 8 Application and Implementation 13 8.1 Application Information 13 8.2 Typical Application 16 9 Power Supply Recommendations 18 10 Layout 19 10.1 Layout Guidelines 19 10.2 Layout Example 19 11 Device and Documentation Support 20 11.1 Device Support 20 11.2 Documentation Support 20 11.3 Community Resources 20 11.4 Trademarks 20 11.5 Electrostatic Discharge Caution 20 11.6 Glossary 21 12 Mechanical, Packaging, and Orderable Information 21
--	---

4 Revision History

NOTE: Page numbers for previous revisions may differ from page numbers in the current version.

Changes from Original (December 2013) to Revision A	Page
<ul style="list-style-type: none"> • Added <i>ESD Ratings</i> table, <i>Feature Description</i> section, <i>Device Functional Modes</i>, <i>Application and Implementation</i> section, <i>Power Supply Recommendations</i> section, <i>Layout</i> section, <i>Device and Documentation Support</i> section, and <i>Mechanical, Packaging, and Orderable Information</i> section 	1

5 Pin Configuration and Functions



Pin Functions

NAME	PIN		I/O	DESCRIPTION
	X2SON	SC70		
GND	2	2	—	Ground
IN+	1	1	I	Noninverting input
IN-	3	3	I	Inverting input
NC	5	—	—	No internal connection
OUT	4	4	O	Output (push-pull)
VCC	6	5	I	Positive power supply

6 Specifications

6.1 Absolute Maximum Ratings

over operating free-air temperature range (unless otherwise noted) ⁽¹⁾

		MIN	MAX	UNIT
Supply voltage		7		V
Signal input terminals	Voltage ⁽²⁾	(V–) – 0.5	(V+) + 0.5	V
	Current ⁽²⁾	±10		mA
Output short circuit ⁽³⁾		Continuous		mA
Temperature	Operating, T _A	–55	150	°C
	Junction, T _J	150		
	Storage, T _{stg}	–65	150	

- (1) Stresses beyond those listed under *Absolute Maximum Ratings* may cause permanent damage to the device. These are stress ratings only, which do not imply functional operation of the device at these or any other conditions beyond those indicated under *Recommended Operating Conditions*. Exposure to absolute-maximum-rated conditions for extended periods may affect device reliability.
- (2) Input terminals are diode-clamped to the power-supply rails. Input signals that can swing more than 0.5 V beyond the supply rails should be current-limited to 10 mA or less.
- (3) Short-circuit to ground, one comparator per package.

6.2 ESD Ratings

		VALUE	UNIT
V _(ESD)	Electrostatic discharge	±2500	V
		±1000	

- (1) JEDEC document JEP155 states that 500-V HBM allows safe manufacturing with a standard ESD control process.
- (2) JEDEC document JEP157 states that 250-V CDM allows safe manufacturing with a standard ESD control process.

6.3 Recommended Operating Conditions

over operating free-air temperature range (unless otherwise noted)

	MIN	NOM	MAX	UNIT
Power supply voltage	0.9		6.5	V
Ambient Temperature, T _A	–40		125	°C

6.4 Thermal Information

THERMAL METRIC ⁽¹⁾		TLV3691		UNIT
		DCK (SC70)	DPF (X2SON)	
		5 PINS	6 PINS	
R _{θJA}	Junction-to-ambient thermal resistance	297.4	252.4	°C/W
R _{θJctop}	Junction-to-case (top) thermal resistance	109.3	93.9	°C/W
R _{θJB}	Junction-to-board thermal resistance	74.4	192.8	°C/W
ψ _{JT}	Junction-to-top characterization parameter	3	3	°C/W
ψ _{JB}	Junction-to-board characterization parameter	73.6	203.8	°C/W
R _{θJcbot}	Junction-to-case (bottom) thermal resistance	N/A	N/A	°C/W

- (1) For more information about traditional and new thermal metrics, see the *Semiconductor and IC Package Thermal Metrics* application report, [SPRA953](#).

6.5 Electrical Characteristics

At $T_A = 25^\circ\text{C}$, $V_S = 0.9\text{ V}$ to 6.5 V , $V_{CM} = V_S/2$ and $C_L = 15\text{ pF}$, unless otherwise noted.

PARAMETER		TEST CONDITIONS	MIN	TYP	MAX	UNIT
OFFSET VOLTAGE						
V_{OS}	Input offset voltage	$T_A = 25^\circ\text{C}$		± 3	± 15	mV
		$T_A = -40^\circ\text{C}$ to 125°C			± 22	mV
V_{HYS}	Hysteresis			17		mV
dV_{OS}/dT	Input offset voltage drift	$T_A = -40^\circ\text{C}$ to 125°C			± 70	$\mu\text{V}/^\circ\text{C}$
PSRR	Power-supply rejection ratio	$T_A = -40^\circ\text{C}$ to 125°C			2000	$\mu\text{V}/\text{V}$
INPUT VOLTAGE RANGE						
V_{CM}	Common-mode voltage range	$T_A = -40^\circ\text{C}$ to 125°C	$(V-) - 0.1$		$(V+) + 0.1$	V
	Hysteresis			± 17		mV
INPUT BIAS CURRENT						
I_B	Input bias current	$T_A = 25^\circ\text{C}$		30	100	pA
		$T_A = -40^\circ\text{C}$ to 125°C			20	nA
I_{OS}	Input offset current			8		pA
C_{LOAD}	Capacitive load drive		See Typical Characteristics			
OUTPUT						
V_{OH}	Voltage output swing from upper rail	$I_O = 2.5\text{ mA}$, input overdrive $\geq 50\text{ mV}$, $V_S = 6.5\text{ V}$		155	165	mV
		$I_O = 2.5\text{ mA}$, input overdrive $\geq 50\text{ mV}$, $V_S = 6.5\text{ V}$, $T_A = -40^\circ\text{C}$ to 125°C			220	mV
		$I_O \leq 100\text{ }\mu\text{A}$, input overdrive $\geq 50\text{ mV}$, $V_S = 6.5\text{ V}$		6	10	mV
		$I_O \leq 100\text{ }\mu\text{A}$, input overdrive $\geq 50\text{ mV}$, $V_S = 6.5\text{ V}$, $T_A = -40^\circ\text{C}$ to 125°C			20	mV
		$I_O \leq 100\text{ }\mu\text{A}$, input overdrive $\geq 50\text{ mV}$, $V_S = 0.9\text{ V}$		70	75	mV
		$I_O \leq 100\text{ }\mu\text{A}$, input overdrive $\geq 50\text{ mV}$, $V_S = 0.9\text{ V}$, $T_A = -40^\circ\text{C}$ to 125°C			80	mV
V_{OL}	Voltage output swing from lower rail	$I_O = 2.5\text{ mA}$, input overdrive $\geq 50\text{ mV}$, $V_S = 6.5\text{ V}$		155	165	mV
		$I_O = 2.5\text{ mA}$, input overdrive $\geq 50\text{ mV}$, $V_S = 6.5\text{ V}$, $T_A = -40^\circ\text{C}$ to 125°C			220	mV
		$I_O \leq 100\text{ }\mu\text{A}$, input overdrive $\geq 50\text{ mV}$, $V_S = 6.5\text{ V}$		6	10	mV
		$I_O \leq 100\text{ }\mu\text{A}$, input overdrive $\geq 50\text{ mV}$, $V_S = 6.5\text{ V}$, $T_A = -40^\circ\text{C}$ to 125°C			20	mV
		$I_O \leq 100\text{ }\mu\text{A}$, input overdrive $\geq 50\text{ mV}$, $V_S = 0.9\text{ V}$		35	40	mV
		$I_O \leq 100\text{ }\mu\text{A}$, input overdrive $\geq 50\text{ mV}$, $V_S = 0.9\text{ V}$, $T_A = -40^\circ\text{C}$ to 125°C			45	mV
I_{SC}	Short circuit sink current	$V_S = 6.5\text{ V}$, see Typical Characteristics		42		mA
	Short circuit source current	$V_S = 6.5\text{ V}$, see Typical Characteristics		35		mA

Electrical Characteristics (continued)

At $T_A = 25^\circ\text{C}$, $V_S = 0.9\text{ V}$ to 6.5 V , $V_{CM} = V_S/2$ and $C_L = 15\text{ pF}$, unless otherwise noted.

PARAMETER		TEST CONDITIONS	MIN	TYP	MAX	UNIT
POWER SUPPLY						
V_S	Specified voltage range		0.9		6.5	V
I_Q	Quiescent current (per channel)	$T_A = 25^\circ\text{C}$		75	150	nA
		$T_A = -40^\circ\text{C}$ to 125°C			200	nA
TEMPERATURE RANGE						
	Specified range		-40		125	$^\circ\text{C}$
	Operating range		-55		150	$^\circ\text{C}$
	Storage range		-65		150	$^\circ\text{C}$

6.6 Switching Characteristics

At $T_A = 25^\circ\text{C}$, $V_S = 0.9\text{ V}$ to 6.5 V , $V_{CM} = V_S/2$ and $C_L = 15\text{ pF}$, unless otherwise noted.

PARAMETER			TEST CONDITIONS	MIN	TYP	MAX	UNIT
t_{PHL}	Propagation delay time	High-to-low	$V_S = 6.5\text{ V}$, Input overdrive = 50 mV		32		μs
			$V_S = 0.9\text{ V}$, Input overdrive = 50 mV		45		
			$V_S = 6.5\text{ V}$, Input overdrive = 100 mV		24		
			$V_S = 0.9\text{ V}$, Input overdrive = 100 mV		35		
t_{PLH}		Low-to-high	$V_S = 6.5\text{ V}$, Input overdrive = 50 mV		32		
			$V_S = 0.9\text{ V}$, Input overdrive = 50 mV		40		
			$V_S = 6.5\text{ V}$, Input overdrive = 100 mV		24		
			$V_S = 0.9\text{ V}$, Input overdrive = 100 mV		28		
t_R	Rise time	Input overdrive = 100 mV					ns
t_F	Fall time	Input overdrive = 100 mV		330			

6.7 Typical Characteristics

At $T_A = 25^\circ\text{C}$, $V_S = 0.9\text{ V}$ to 6.5 V , and input overdrive = 100 mV , unless otherwise noted.

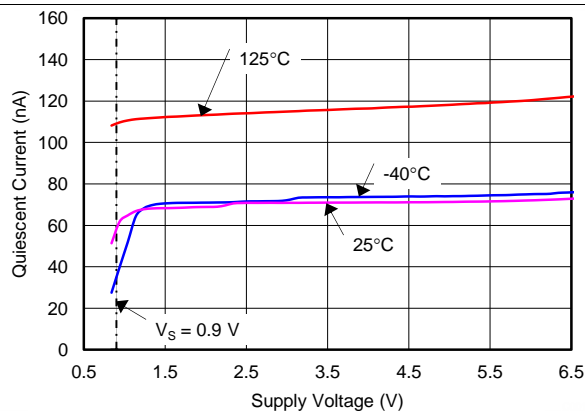


Figure 1. Quiescent Current vs Supply Voltage

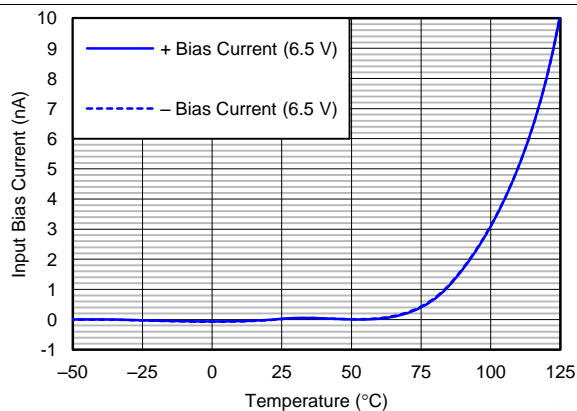


Figure 2. Input Bias Current vs Temperature

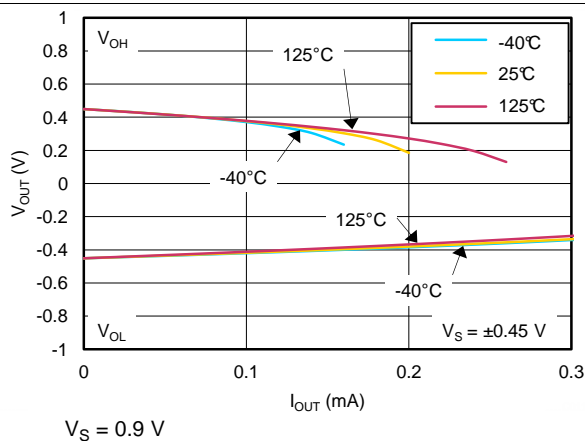


Figure 3. Output Voltage vs Output Current

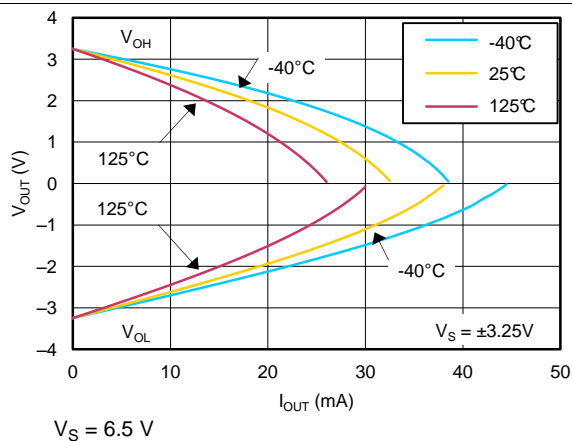


Figure 4. Output Voltage vs Output Current

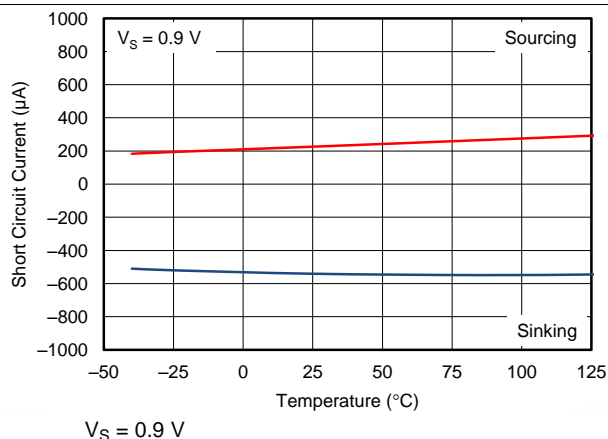


Figure 5. Short Circuit Current vs Temperature

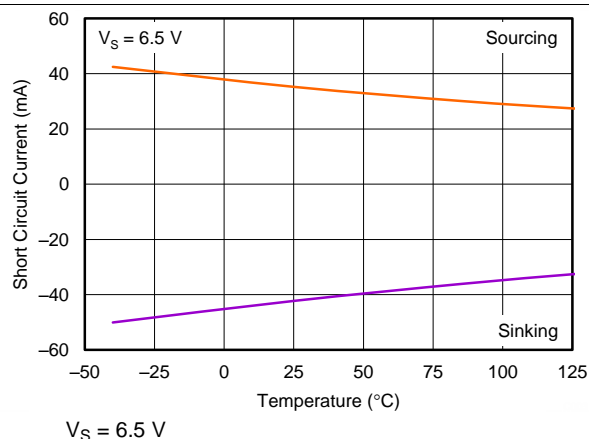
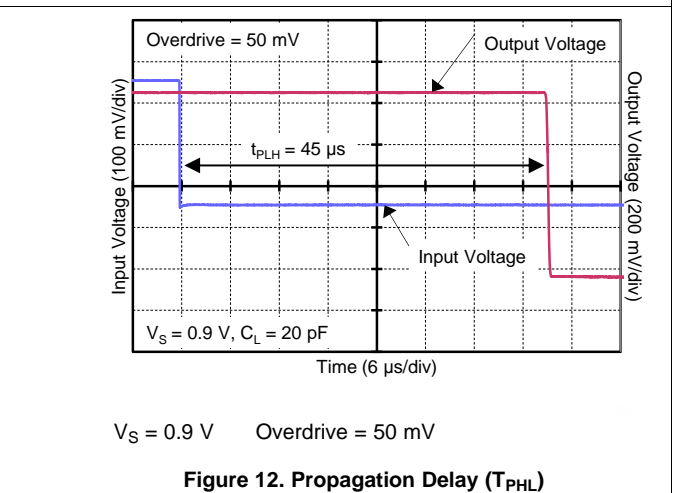
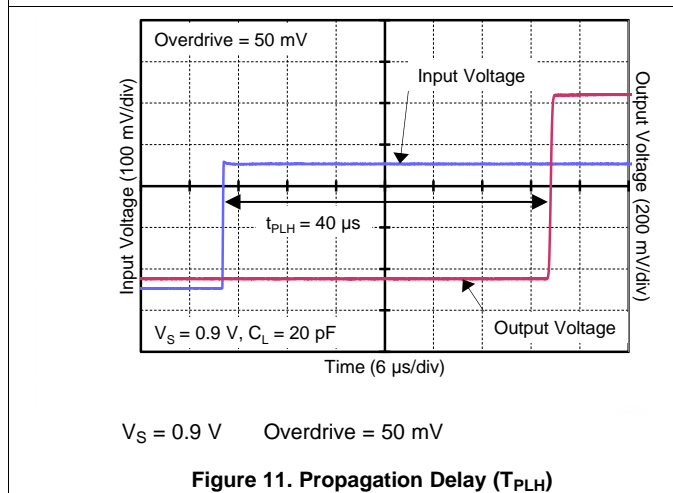
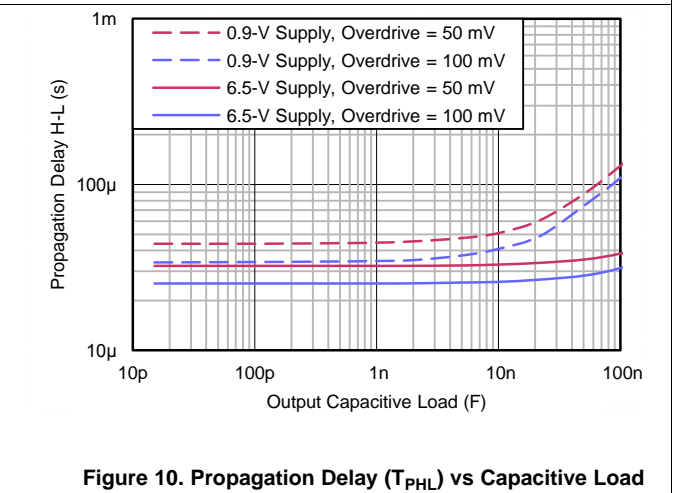
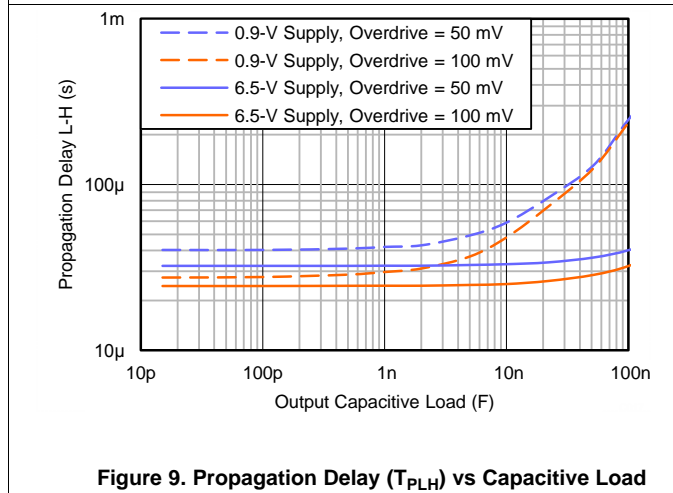
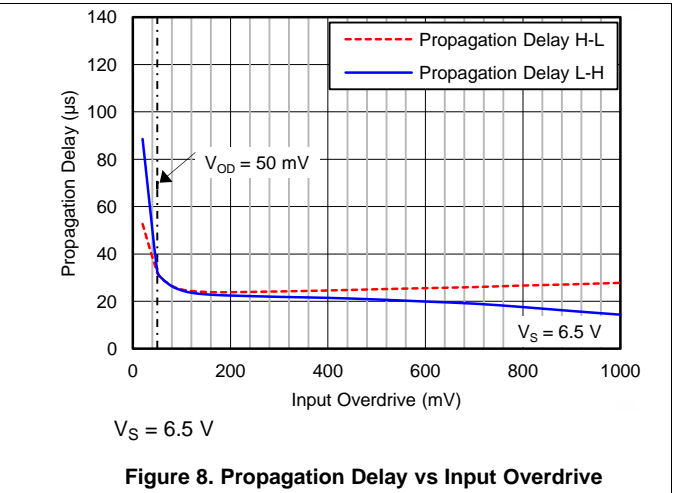
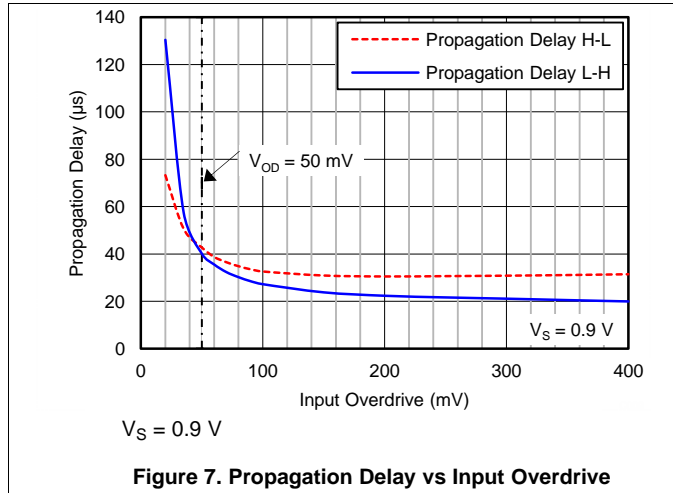


Figure 6. Short Circuit Current vs Temperature

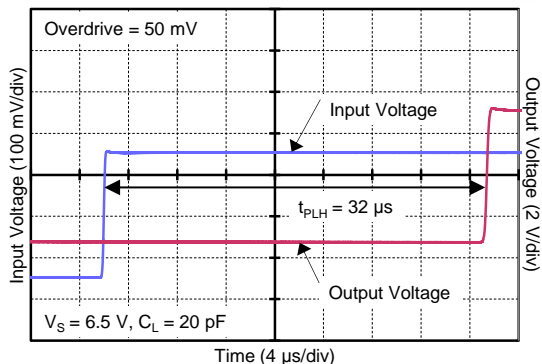
Typical Characteristics (continued)

At $T_A = 25^\circ\text{C}$, $V_S = 0.9\text{ V}$ to 6.5 V , and input overdrive = 100 mV , unless otherwise noted.



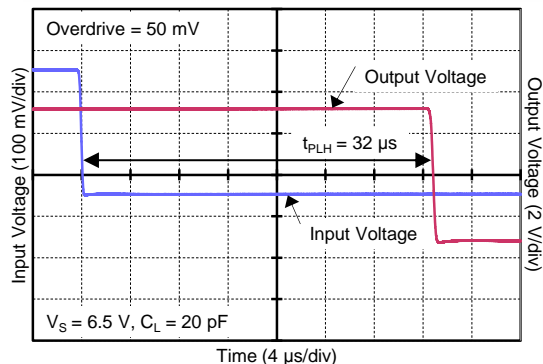
Typical Characteristics (continued)

At $T_A = 25^\circ\text{C}$, $V_S = 0.9\text{ V}$ to 6.5 V , and input overdrive = 100 mV , unless otherwise noted.



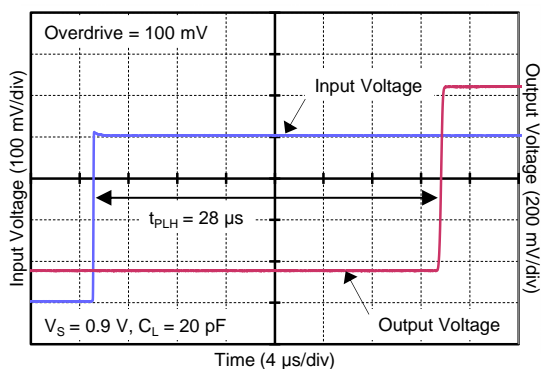
$V_S = 6.5\text{ V}$ Overdrive = 50 mV

Figure 13. Propagation Delay (T_{PLH})



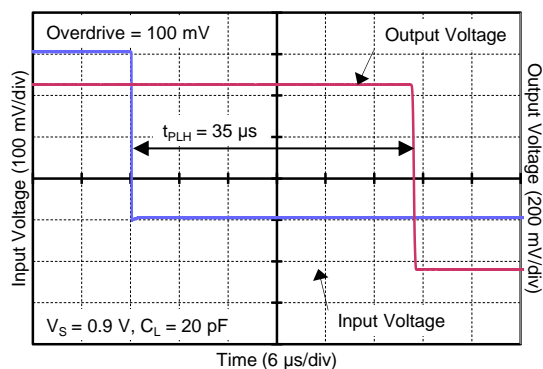
$V_S = 6.5\text{ V}$ Overdrive = 50 mV

Figure 14. Propagation Delay (T_{PHL})



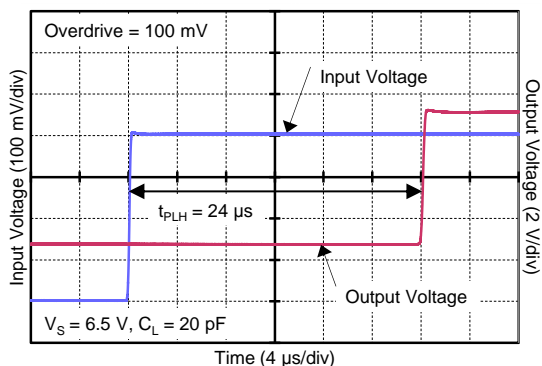
$V_S = 0.9\text{ V}$, Overdrive = 100 mV

Figure 15. Propagation Delay (T_{PLH})



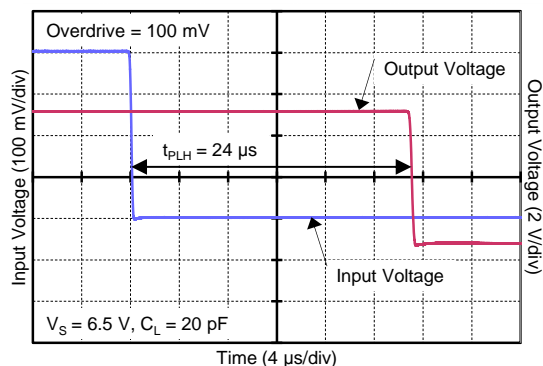
$V_S = 0.9\text{ V}$ Overdrive = 100 mV

Figure 16. Propagation Delay (T_{PHL})



$V_S = 6.5\text{ V}$ Overdrive = 100 mV

Figure 17. Propagation Delay (T_{PLH})



$V_S = 6.5\text{ V}$ Overdrive = 100 mV

Figure 18. Propagation Delay (T_{PHL})

Typical Characteristics (continued)

At $T_A = 25^\circ\text{C}$, $V_S = 0.9\text{ V}$ to 6.5 V , and input overdrive = 100 mV , unless otherwise noted.

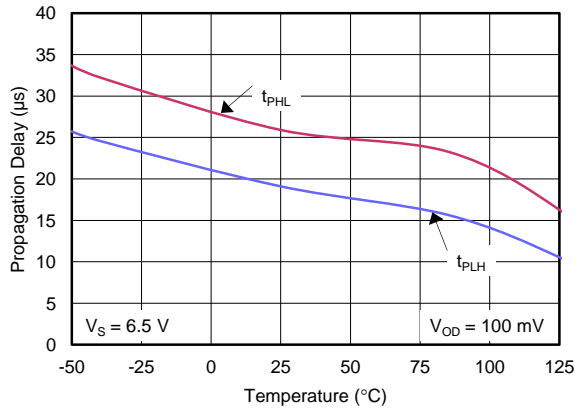


Figure 19. Propagation Delay vs Temperature

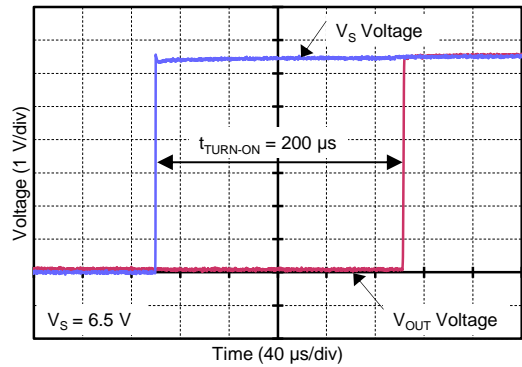
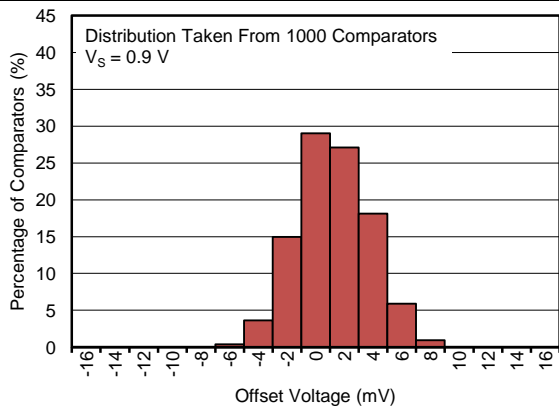
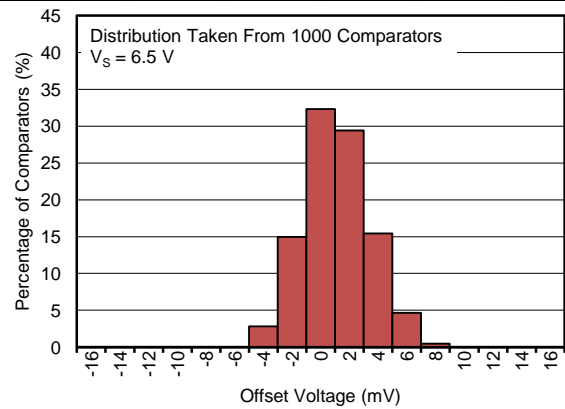


Figure 20. Start-Up Time



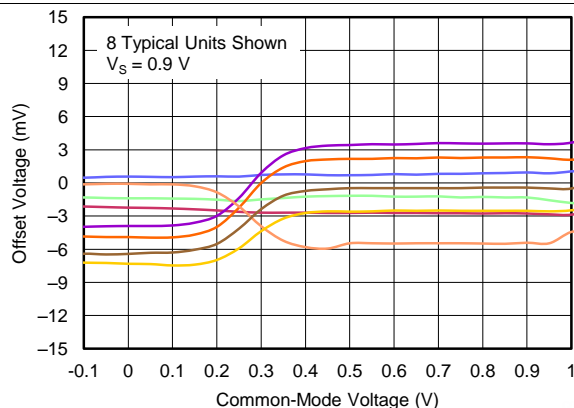
$V_S = 0.9\text{ V}$

Figure 21. Offset Voltage Production Distribution



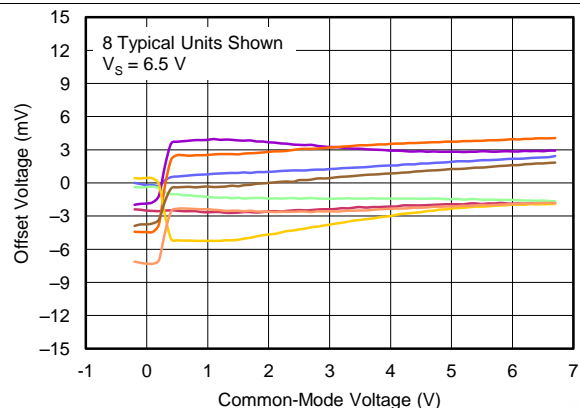
$V_S = 6.5\text{ V}$

Figure 22. Offset Voltage Production Distribution



$V_S = 0.9\text{ V}$

Figure 23. Offset Voltage vs Common-Mode Voltage

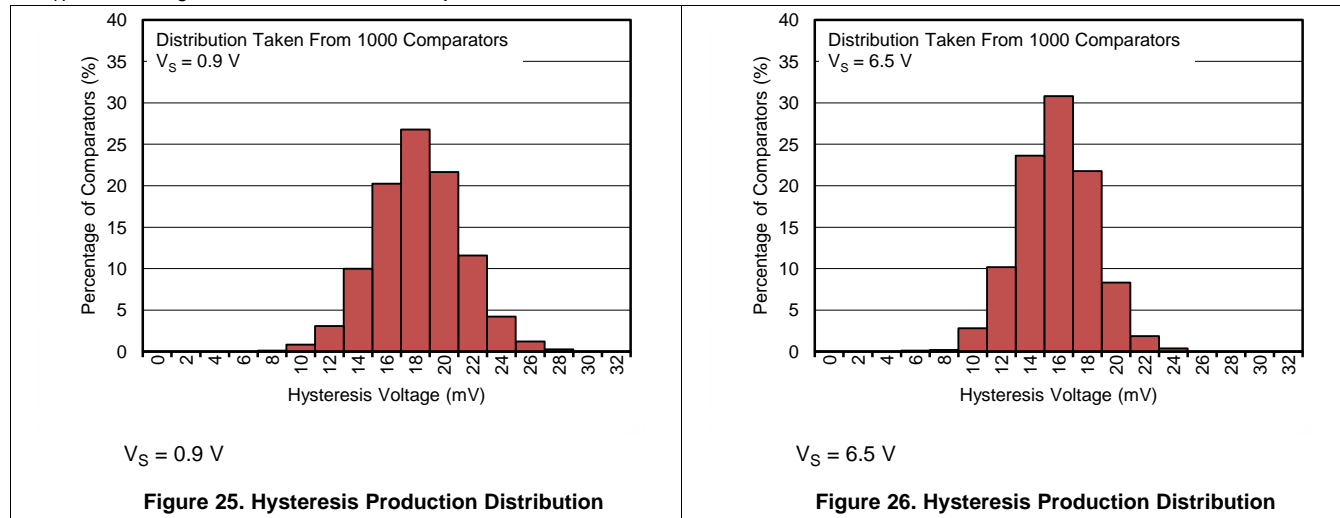


$V_S = 6.5\text{ V}$

Figure 24. Offset Voltage vs Common-Mode Voltage

Typical Characteristics (continued)

At $T_A = 25^\circ\text{C}$, $V_S = 0.9\text{ V}$ to 6.5 V , and input overdrive = 100 mV , unless otherwise noted.

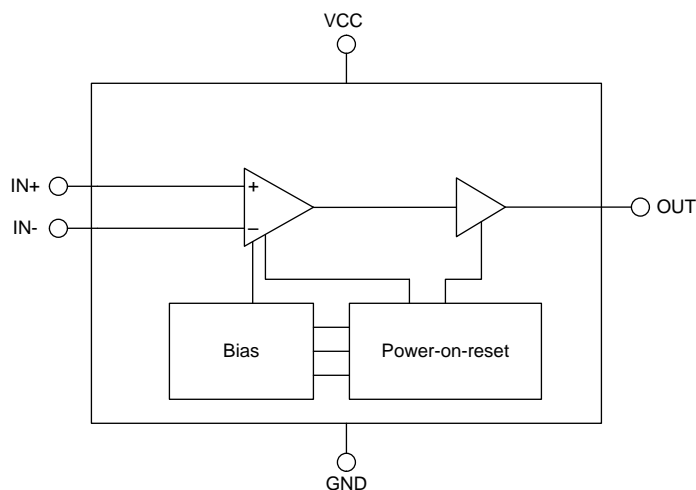


7 Detailed Description

7.1 Overview

The TLV3691 is a nano-power comparator with push-pull output. Operating from 0.9 V to 6.5 V and consuming a maximum quiescent current of only 200 nA over the temperature range from -40°C to 125°C , the TLV3691 is ideally suited for portable and industrial applications. The TLV3691 is available in the 5-pin SC70 and 6-pin DFN packages.

7.2 Functional Block Diagram



7.3 Feature Description

The TLV3691 features a nano-power comparator capable of operating at low voltages. The TLV3691 features a rail-to-rail input stage capable of operating up to 100 mV beyond each power supply rail. The TLV3691 also features a push-pull output stage with internal hysteresis.

7.4 Device Functional Modes

The TLV3691 has a single functional mode and is operational when the power supply voltage is greater than 0.9 V. The maximum power supply voltage for the TLV3691 is 6.5 V.

7.4.1 Nano-Power

The TLV3691 features nano-power operation. With a maximum of 150 nA of operating current at 25°C , the TLV3691 is ideally suited for portable and battery powered applications. With a maximum of 200 nA of operating current over the temperature range from -40°C to 125°C , the TLV3691 is also ideally suited for industrial applications and is a must have in every designer's toolbox.

7.4.2 Rail-to-Rail Inputs

The TLV3691 features an input stage capable of operating up to -100 mV beyond ground and 100 mV beyond the positive supply voltage, allowing for ease of use and flexible design options. Internal hysteresis of 17 mV (typical) allows for operation in noisy environments without the need for additional external components.

7.4.3 Push-Pull Output

The TLV3691 features a push-pull output, eliminating the need for an external pullup resistor and allows for nano-power operation across all operating conditions.

8 Application and Implementation

NOTE

Information in the following applications sections is not part of the TI component specification, and TI does not warrant its accuracy or completeness. TI's customers are responsible for determining suitability of components for their purposes. Customers should validate and test their design implementation to confirm system functionality.

8.1 Application Information

The TLV3691 comparators feature rail-to-rail inputs and outputs on supply voltages as low as 0.9 V. The push-pull output stage is optimal for reduced power budget applications and features no shoot-through current. Low minimum supply voltages, common-mode input range beyond supply rails, and a typical supply current of 75 nA make the TLV3691 an excellent candidate for battery-operated and portable, handheld designs.

8.1.1 Comparator Inputs

The TLV3691 is a rail-to-rail input comparator, with an input common-mode range that exceeds the supply rails by 100 mV for both positive and negative supplies. The device is designed to prevent phase inversion when the input pins exceed the supply voltage. [Figure 27](#) shows the device response when input voltages exceed the supply, resulting in no phase inversion.

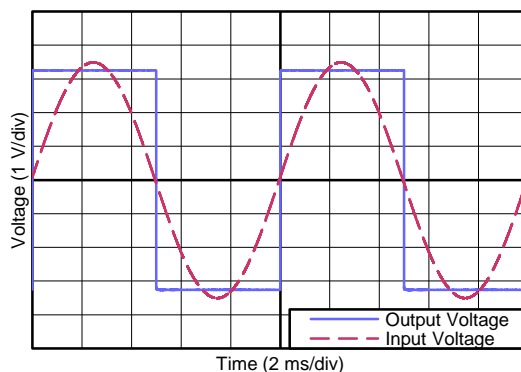
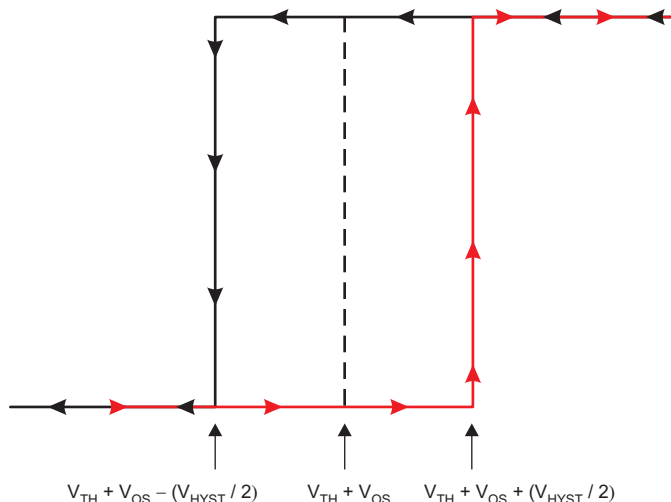


Figure 27. No Phase Inversion: Comparator Response to Input Voltage (Propagation Delay Included)

8.1.2 External Hysteresis

The device hysteresis transfer curve is shown in [Figure 28](#). This curve is a function of three components: V_{TH} , V_{OS} , and V_{HYST} .

- V_{TH} is the actual set voltage or threshold trip voltage.
- V_{OS} is the internal offset voltage between V_{IN+} and V_{IN-} . This voltage is added to V_{TH} to form the actual trip point at which the comparator must respond to change output states.
- V_{HYST} is the internal hysteresis (or trip window) that is designed to reduce comparator sensitivity to noise (17 mV for the TLV3691).

Application Information (continued)

Figure 28. Hysteresis Transfer Curve
8.1.2.1 Inverting Comparator With Hysteresis

The inverting comparator with hysteresis requires a three-resistor network that is referenced to the comparator supply voltage (V_{CC}), as shown in [Figure 29](#). When V_{IN} at the inverting input is less than V_A , the output voltage is high (for simplicity, assume V_O switches as high as V_{CC}). The three network resistors can be represented as $R1 \parallel R3$ in series with $R2$. [Equation 1](#) defines the high-to-low trip voltage (V_{A1}).

$$V_{A1} = V_{CC} \times \frac{R2}{(R1 \parallel R3) + R2} \quad (1)$$

When V_{IN} is greater than V_A , the output voltage is low, very close to ground. In this case, the three network resistors can be presented as $R2 \parallel R3$ in series with $R1$. Use [Equation 2](#) to define the low to high trip voltage (V_{A2}).

$$V_{A2} = V_{CC} \times \frac{R2 \parallel R3}{R1 + (R2 \parallel R3)} \quad (2)$$

[Equation 3](#) defines the total hysteresis provided by the network.

$$\Delta V_A = V_{A1} - V_{A2} \quad (3)$$

Application Information (continued)

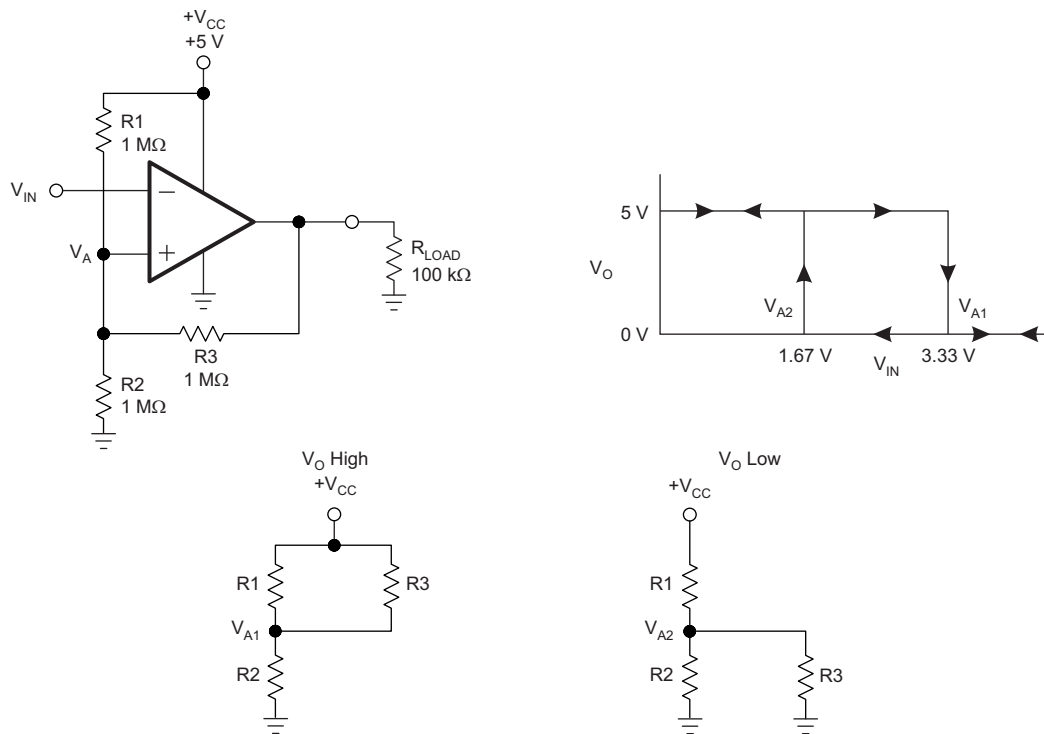


Figure 29. TLV3691 in an Inverting Configuration With Hysteresis

8.1.2.2 Noninverting Comparator With Hysteresis

A noninverting comparator with hysteresis requires a two-resistor network, as shown in Figure 30, and a voltage reference (V_{REF}) at the inverting input. When V_{IN} is low, the output is also low. For the output to switch from low to high, V_{IN} must rise to V_{IN1}. Use Equation 4 to calculate V_{IN1}.

$$V_{IN1} = R1 \times \frac{V_{REF}}{R2} + V_{REF} \tag{4}$$

When V_{IN} is high, the output is also high. For the comparator to switch back to a low state, V_{IN} must drop to V_{IN2} such that V_A is equal to V_{REF}. Use Equation 5 to calculate V_{IN2}.

$$V_{IN2} = \frac{V_{REF} (R1 + R2) - V_{CC} \times R1}{R2} \tag{5}$$

The hysteresis of this circuit is the difference between V_{IN1} and V_{IN2}, as shown in Equation 6.

$$\Delta V_{IN} = V_{CC} \times \frac{R1}{R2} \tag{6}$$

Application Information (continued)

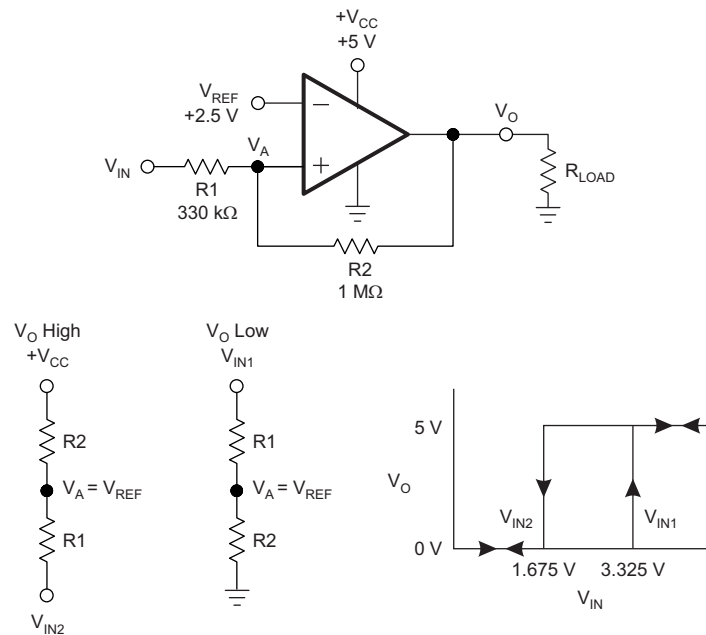


Figure 30. TLV3691 in a Noninverting Configuration With Hysteresis

8.1.3 Capacitive Loads

Under reasonable capacitive loads, the device maintains specified propagation delay (see [Typical Characteristics](#)). However, excessive capacitive loading under high switching frequencies may increase supply current, propagation delay, or induce decreased slew rate.

8.1.4 Setting the Reference Voltage

Using a stable reference when setting the transition point for the device is important. The [REF3312](#), as shown in [Figure 31](#), provides a 1.25-V reference voltage with low drift and only 3.9 μ A of quiescent current.

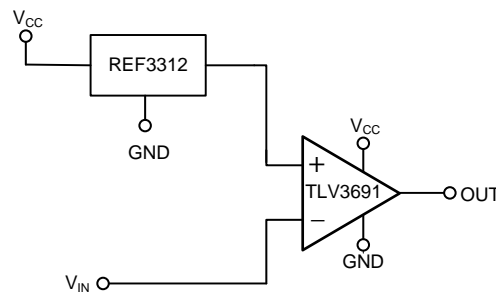


Figure 31. Reference Voltage for the TLV3691

8.2 Typical Application

8.2.1 Window Comparator

Window comparators are commonly used to detect undervoltage and overvoltage conditions. [Figure 32](#) illustrates a simple window comparator circuit.

Typical Application (continued)

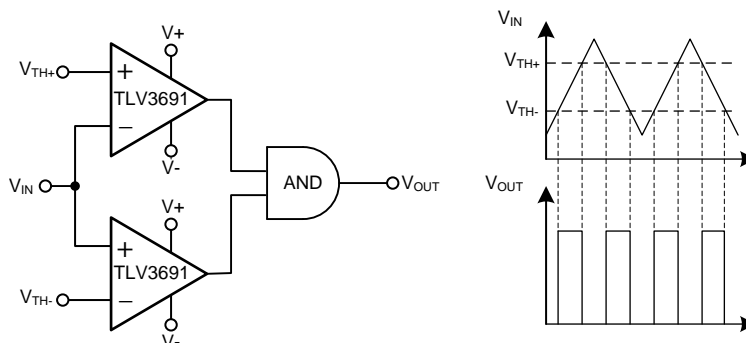


Figure 32. Window Comparator

8.2.1.1 Design Requirements

- Alert when an input signal is less than 1.25 V
- Alert when an input signal is greater than 3.3 V
- Alert signal is active low
- Operate from 5-V power supply
- Consume less than 1 μ A over the temperature range from -40°C to 125°C

8.2.1.2 Detailed Design Procedure

Configure the circuit as shown in Figure 32. Connect V+ to a 5-V power supply. Connect V- to ground. Connect V_{TH-} to a 1.25-V voltage source; this can be a low power voltage reference such as REF3312. Connect V_{TH+} to a 3.3-V voltage source; this can be a low power voltage reference such as REF3333. Apply an input voltage at V_{IN}. V_{OUT} will be low when V_{IN} is less than 1.25 V or greater than 3.3 V. V_{OUT} will be high when V_{IN} is in the range of 1.25 V to 3.3 V.

8.2.1.3 Application Curve

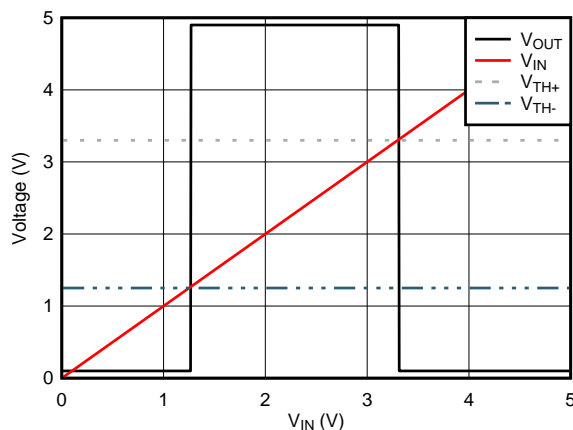


Figure 33. Window Comparator Results

8.2.2 Overvoltage and Undervoltage Detection

The TLV3691 can be easily configured as an overvoltage and undervoltage detection circuit. Figure 34 illustrates an overvoltage and undervoltage detection circuit. This circuit can be configured to detect the validity of a bus voltage source. The outputs of the TLV3691 will transition low when the bus voltage is out of range.

- A bus voltage overvoltage condition is indicated when V_{OV} is low. V_{OV} will transition low according to Equation 7.

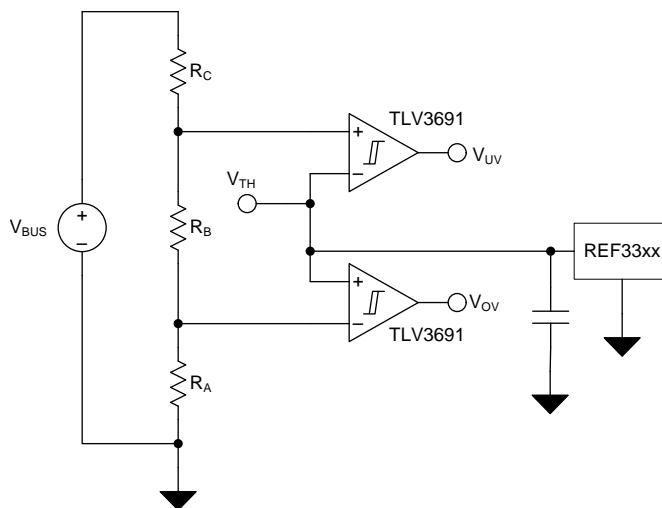
Typical Application (continued)

$$V_{BUS} \times \left(\frac{R_A}{R_A + R_B + R_C} \right) > V_{TH} \quad (7)$$

- A bus voltage undervoltage condition is indicated when V_{UV} is low. V_{UV} will transition low according to [Equation 8](#).

$$V_{BUS} \times \left(\frac{R_A + R_B}{R_A + R_B + R_C} \right) < V_{TH} \quad (8)$$

- V_{OV} and V_{UV} will both be high when the bus voltage is within the desired range determined by [Equation 7](#) and [Equation 8](#).


Figure 34. Overvoltage and Undervoltage Detection

9 Power Supply Recommendations

The TLV3691 is specified for operation from 0.9 V to 6.5 V. Many specifications apply from -40°C to 125°C . Parameters capable of exhibiting significant variance regarding the operating voltage or temperature are presented in the [Typical Characteristics](#).

10 Layout

10.1 Layout Guidelines

Comparators are very sensitive to input noise. For best results, adhere to the following layout guidelines.

1. Use a printed-circuit-board (PCB) with a good, unbroken, low-inductance ground plane. Proper grounding (use of a ground plane) helps maintain specified device performance.
2. To minimize supply noise, place a decoupling capacitor (0.1- μ F ceramic, surface-mount capacitor) as close as possible to V_{CC} .
3. On the inputs and the output, keep lead lengths as short as possible to avoid unwanted parasitic feedback around the comparator. Keep inputs away from the output.
4. Solder the device directly to the PCB rather than using a socket.
5. For slow-moving input signals, take care to prevent parasitic feedback. A small capacitor (1000 pF or less) placed between the inputs can help eliminate oscillations in the transition region. This capacitor causes some degradation to propagation delay when impedance is low. The topside ground plane runs between the output and inputs.
6. The ground pin ground trace runs under the device up to the bypass capacitor, shielding the inputs from the outputs.

10.2 Layout Example

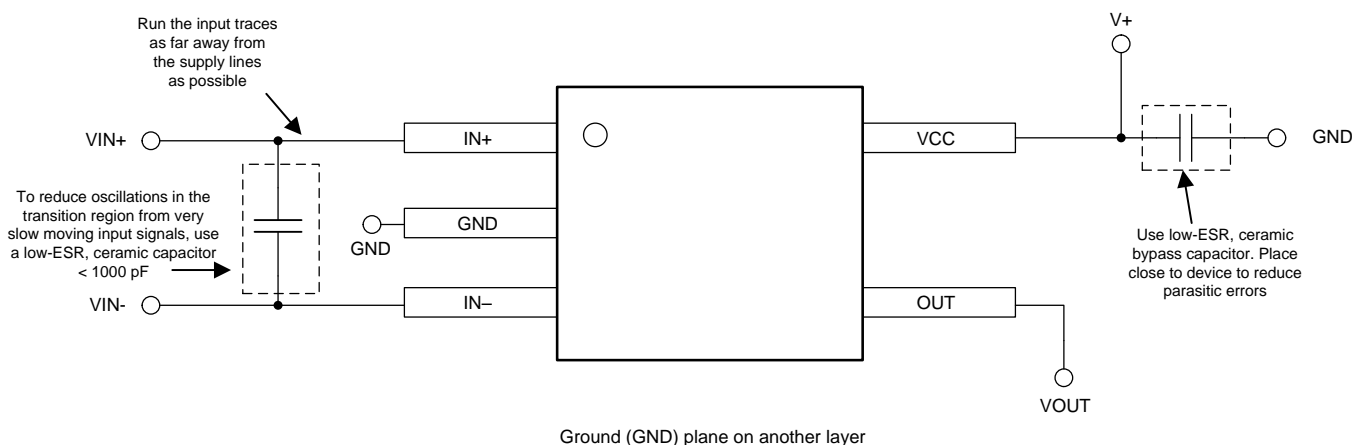


Figure 35. TLV3691 Layout Example

11 Device and Documentation Support

11.1 Device Support

11.1.1 Development Support

11.1.1.1 TINA-TI™ (Free Software Download)

TINA™ is a simple, powerful, and easy-to-use circuit simulation program based on a SPICE engine. TINA-TI is a free, fully-functional version of the TINA software, preloaded with a library of macro models in addition to a range of both passive and active models. TINA-TI provides all the conventional dc, transient, and frequency domain analysis of SPICE, as well as additional design capabilities.

Available as a [free download](#) from the Analog eLab Design Center, TINA-TI offers extensive post-processing capability that allows users to format results in a variety of ways. Virtual instruments offer the ability to select input waveforms and probe circuit nodes, voltages, and waveforms, creating a dynamic quick-start tool.

NOTE

These files require that either the TINA software (from DesignSoft™) or TINA-TI software be installed. Download the free TINA-TI software from the [TINA-TI folder](#).

11.1.1.2 TI Precision Designs

The TLV3691 (or similar comparators) are featured in several TI Precision Designs, available online at <http://www.ti.com/ww/en/analog/precision-designs/>. TI Precision Designs are analog solutions created by TI's precision analog applications experts and offer the theory of operation, component selection, simulation, complete PCB schematic and layout, bill of materials, and measured performance of many useful circuits.

11.2 Documentation Support

11.2.1 Related Documentation

For related documentation see the following:

- *Circuit Board Layout Techniques*, [SLOA089](#).
- *Op Amps for Everyone*, [SLOD006](#).
- *Shelf-Life Evaluation of Lead-Free Component Finishes*, [SZZA046](#).

11.3 Community Resources

The following links connect to TI community resources. Linked contents are provided "AS IS" by the respective contributors. They do not constitute TI specifications and do not necessarily reflect TI's views; see TI's [Terms of Use](#).

TI E2E™ Online Community *TI's Engineer-to-Engineer (E2E) Community*. Created to foster collaboration among engineers. At e2e.ti.com, you can ask questions, share knowledge, explore ideas and help solve problems with fellow engineers.

Design Support *TI's Design Support* Quickly find helpful E2E forums along with design support tools and contact information for technical support.

11.4 Trademarks

E2E is a trademark of Texas Instruments.

TINA-TI is a trademark of Texas Instruments, Inc and DesignSoft, Inc.

TINA, DesignSoft are trademarks of DesignSoft, Inc.

All other trademarks are the property of their respective owners.

11.5 Electrostatic Discharge Caution



These devices have limited built-in ESD protection. The leads should be shorted together or the device placed in conductive foam during storage or handling to prevent electrostatic damage to the MOS gates.

11.6 Glossary

[SLYZ022](#) — *TI Glossary*.

This glossary lists and explains terms, acronyms, and definitions.

12 Mechanical, Packaging, and Orderable Information

The following pages include mechanical, packaging, and orderable information. This information is the most current data available for the designated devices. This data is subject to change without notice and revision of this document. For browser-based versions of this data sheet, refer to the left-hand navigation.

PACKAGING INFORMATION

Orderable Device	Status (1)	Package Type	Package Drawing	Pins	Package Qty	Eco Plan (2)	Lead/Ball Finish (6)	MSL Peak Temp (3)	Op Temp (°C)	Device Marking (4/5)	Samples
TLV3691IDCKR	ACTIVE	SC70	DCK	5	3000	Green (RoHS & no Sb/Br)	CU NIPDAU	Level-2-260C-1 YEAR	-40 to 125	SIV	Samples
TLV3691IDCKT	ACTIVE	SC70	DCK	5	250	Green (RoHS & no Sb/Br)	CU NIPDAU	Level-2-260C-1 YEAR	-40 to 125	SIV	Samples
TLV3691IDPFR	ACTIVE	X2SON	DPF	6	5000	Green (RoHS & no Sb/Br)	CU NIPDAU	Level-1-260C-UNLIM	-40 to 125	EW	Samples
TLV3691IDPFT	ACTIVE	X2SON	DPF	6	250	Green (RoHS & no Sb/Br)	CU NIPDAU	Level-1-260C-UNLIM	-40 to 125	EW	Samples

(1) The marketing status values are defined as follows:

ACTIVE: Product device recommended for new designs.

LIFEBUY: TI has announced that the device will be discontinued, and a lifetime-buy period is in effect.

NRND: Not recommended for new designs. Device is in production to support existing customers, but TI does not recommend using this part in a new design.

PREVIEW: Device has been announced but is not in production. Samples may or may not be available.

OBSOLETE: TI has discontinued the production of the device.

(2) Eco Plan - The planned eco-friendly classification: Pb-Free (RoHS), Pb-Free (RoHS Exempt), or Green (RoHS & no Sb/Br) - please check <http://www.ti.com/productcontent> for the latest availability information and additional product content details.

TBD: The Pb-Free/Green conversion plan has not been defined.

Pb-Free (RoHS): TI's terms "Lead-Free" or "Pb-Free" mean semiconductor products that are compatible with the current RoHS requirements for all 6 substances, including the requirement that lead not exceed 0.1% by weight in homogeneous materials. Where designed to be soldered at high temperatures, TI Pb-Free products are suitable for use in specified lead-free processes.

Pb-Free (RoHS Exempt): This component has a RoHS exemption for either 1) lead-based flip-chip solder bumps used between the die and package, or 2) lead-based die adhesive used between the die and leadframe. The component is otherwise considered Pb-Free (RoHS compatible) as defined above.

Green (RoHS & no Sb/Br): TI defines "Green" to mean Pb-Free (RoHS compatible), and free of Bromine (Br) and Antimony (Sb) based flame retardants (Br or Sb do not exceed 0.1% by weight in homogeneous material)

(3) MSL, Peak Temp. - The Moisture Sensitivity Level rating according to the JEDEC industry standard classifications, and peak solder temperature.

(4) There may be additional marking, which relates to the logo, the lot trace code information, or the environmental category on the device.

(5) Multiple Device Markings will be inside parentheses. Only one Device Marking contained in parentheses and separated by a "~" will appear on a device. If a line is indented then it is a continuation of the previous line and the two combined represent the entire Device Marking for that device.

(6) Lead/Ball Finish - Orderable Devices may have multiple material finish options. Finish options are separated by a vertical ruled line. Lead/Ball Finish values may wrap to two lines if the finish value exceeds the maximum column width.

Important Information and Disclaimer: The information provided on this page represents TI's knowledge and belief as of the date that it is provided. TI bases its knowledge and belief on information provided by third parties, and makes no representation or warranty as to the accuracy of such information. Efforts are underway to better integrate information from third parties. TI has taken and continues to take reasonable steps to provide representative and accurate information but may not have conducted destructive testing or chemical analysis on incoming materials and chemicals. TI and TI suppliers consider certain information to be proprietary, and thus CAS numbers and other limited information may not be available for release.

In no event shall TI's liability arising out of such information exceed the total purchase price of the TI part(s) at issue in this document sold by TI to Customer on an annual basis.

TAPE AND REEL INFORMATION

QUADRANT ASSIGNMENTS FOR PIN 1 ORIENTATION IN TAPE


*All dimensions are nominal

Device	Package Type	Package Drawing	Pins	SPQ	Reel Diameter (mm)	Reel Width W1 (mm)	A0 (mm)	B0 (mm)	K0 (mm)	P1 (mm)	W (mm)	Pin1 Quadrant
TLV3691IDCKR	SC70	DCK	5	3000	178.0	9.0	2.4	2.5	1.2	4.0	8.0	Q3
TLV3691IDCKT	SC70	DCK	5	250	178.0	8.4	2.4	2.5	1.2	4.0	8.0	Q3
TLV3691IDPFR	X2SON	DPF	6	5000	180.0	9.5	1.16	1.16	0.63	4.0	8.0	Q2
TLV3691IDPFT	X2SON	DPF	6	250	180.0	9.5	1.16	1.16	0.63	4.0	8.0	Q2

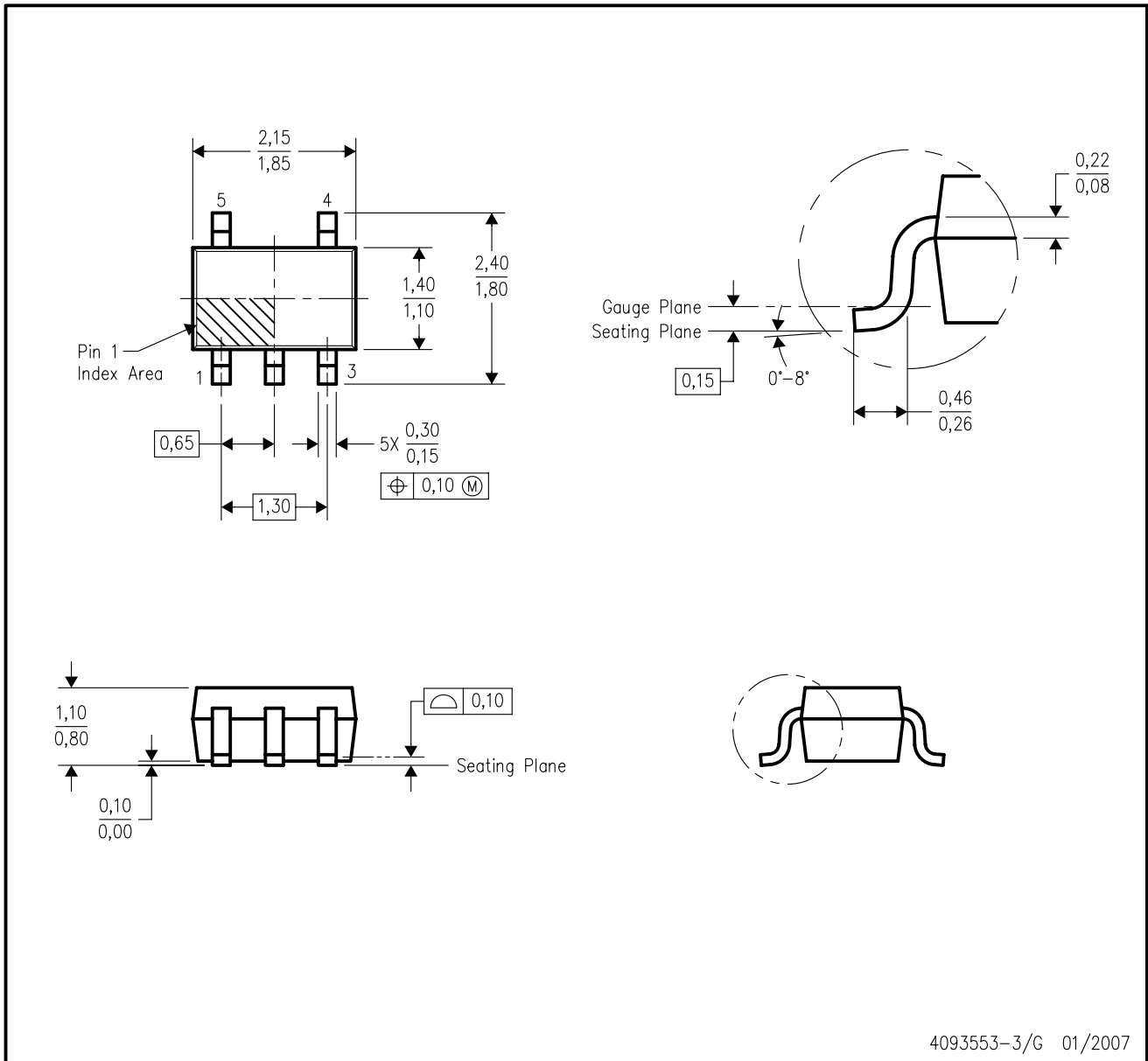
TAPE AND REEL BOX DIMENSIONS


*All dimensions are nominal

Device	Package Type	Package Drawing	Pins	SPQ	Length (mm)	Width (mm)	Height (mm)
TLV3691IDCKR	SC70	DCK	5	3000	190.0	190.0	30.0
TLV3691IDCKT	SC70	DCK	5	250	190.0	190.0	30.0
TLV3691IDPFR	X2SON	DPF	6	5000	184.0	184.0	19.0
TLV3691IDPFT	X2SON	DPF	6	250	184.0	184.0	19.0

DCK (R-PDSO-G5)

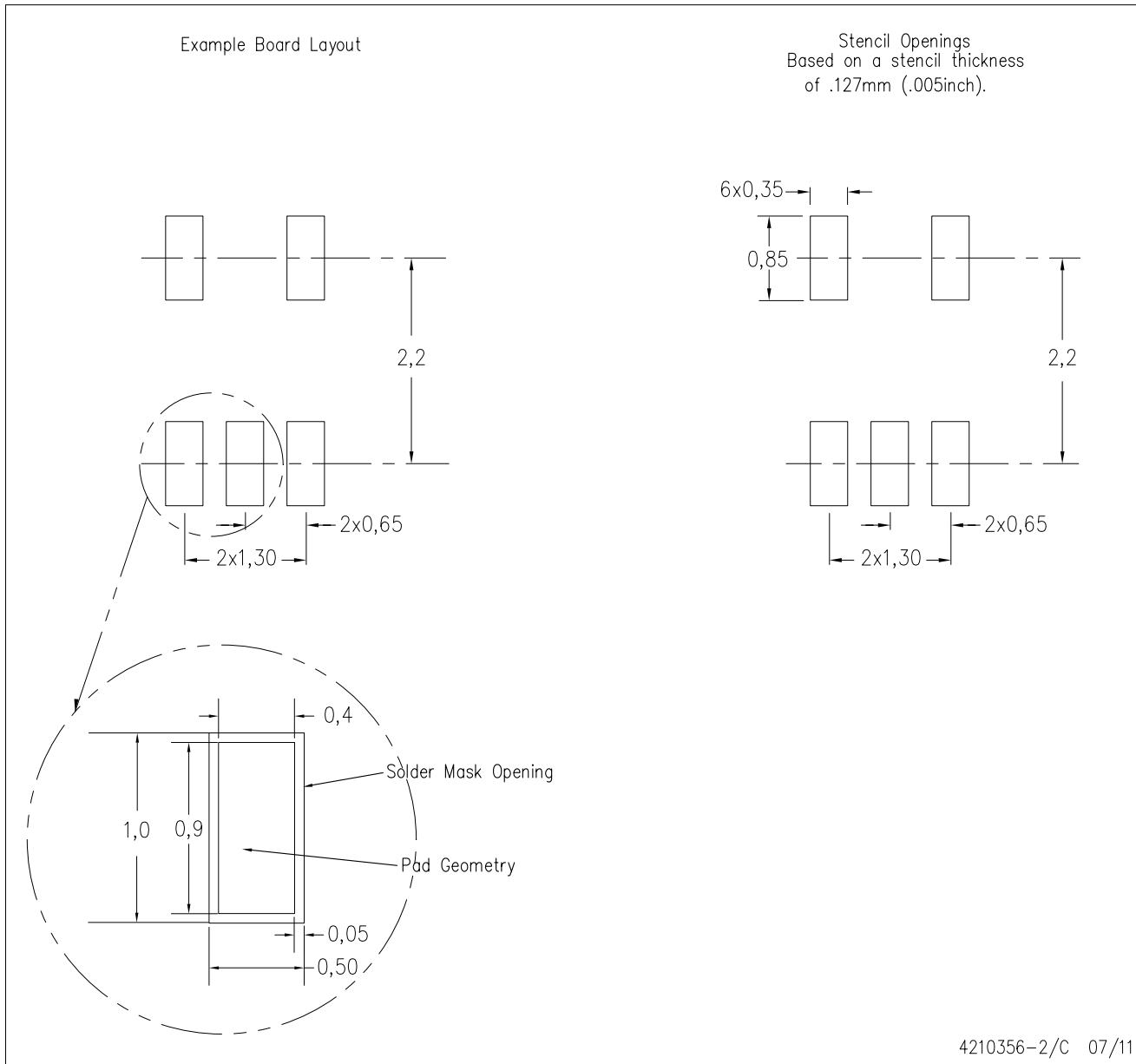
PLASTIC SMALL-OUTLINE PACKAGE



- NOTES:
- A. All linear dimensions are in millimeters.
 - B. This drawing is subject to change without notice.
 - C. Body dimensions do not include mold flash or protrusion. Mold flash and protrusion shall not exceed 0.15 per side.
 - D. Falls within JEDEC MO-203 variation AA.

DCK (R-PDSO-G5)

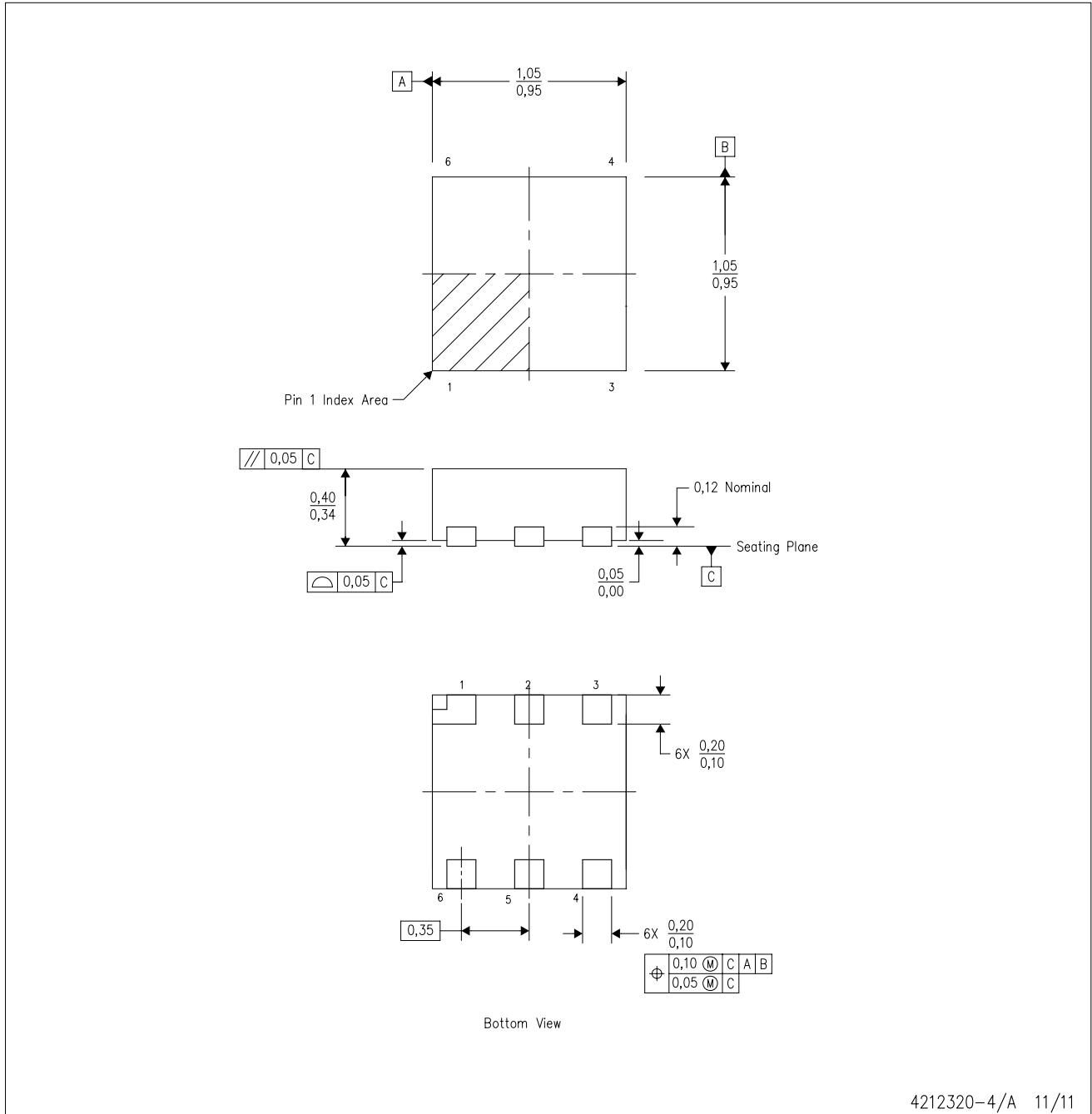
PLASTIC SMALL OUTLINE



- NOTES:
- All linear dimensions are in millimeters.
 - This drawing is subject to change without notice.
 - Customers should place a note on the circuit board fabrication drawing not to alter the center solder mask defined pad.
 - Publication IPC-7351 is recommended for alternate designs.
 - Laser cutting apertures with trapezoidal walls and also rounding corners will offer better paste release. Customers should contact their board assembly site for stencil design recommendations. Example stencil design based on a 50% volumetric metal load solder paste. Refer to IPC-7525 for other stencil recommendations.

DPF (S-PX2SON-N6)

PLASTIC SMALL OUTLINE NO-LEAD



4212320-4/A 11/11

- NOTES:
- A. All linear dimensions are in millimeters. Dimensioning and tolerancing per ASME Y14.5M-1994.
 - B. This drawing is subject to change without notice.
 - C. SON (Small Outline No-Lead) package configuration.

IMPORTANT NOTICE

Texas Instruments Incorporated and its subsidiaries (TI) reserve the right to make corrections, enhancements, improvements and other changes to its semiconductor products and services per JESD46, latest issue, and to discontinue any product or service per JESD48, latest issue. Buyers should obtain the latest relevant information before placing orders and should verify that such information is current and complete. All semiconductor products (also referred to herein as "components") are sold subject to TI's terms and conditions of sale supplied at the time of order acknowledgment.

TI warrants performance of its components to the specifications applicable at the time of sale, in accordance with the warranty in TI's terms and conditions of sale of semiconductor products. Testing and other quality control techniques are used to the extent TI deems necessary to support this warranty. Except where mandated by applicable law, testing of all parameters of each component is not necessarily performed.

TI assumes no liability for applications assistance or the design of Buyers' products. Buyers are responsible for their products and applications using TI components. To minimize the risks associated with Buyers' products and applications, Buyers should provide adequate design and operating safeguards.

TI does not warrant or represent that any license, either express or implied, is granted under any patent right, copyright, mask work right, or other intellectual property right relating to any combination, machine, or process in which TI components or services are used. Information published by TI regarding third-party products or services does not constitute a license to use such products or services or a warranty or endorsement thereof. Use of such information may require a license from a third party under the patents or other intellectual property of the third party, or a license from TI under the patents or other intellectual property of TI.

Reproduction of significant portions of TI information in TI data books or data sheets is permissible only if reproduction is without alteration and is accompanied by all associated warranties, conditions, limitations, and notices. TI is not responsible or liable for such altered documentation. Information of third parties may be subject to additional restrictions.

Resale of TI components or services with statements different from or beyond the parameters stated by TI for that component or service voids all express and any implied warranties for the associated TI component or service and is an unfair and deceptive business practice. TI is not responsible or liable for any such statements.

Buyer acknowledges and agrees that it is solely responsible for compliance with all legal, regulatory and safety-related requirements concerning its products, and any use of TI components in its applications, notwithstanding any applications-related information or support that may be provided by TI. Buyer represents and agrees that it has all the necessary expertise to create and implement safeguards which anticipate dangerous consequences of failures, monitor failures and their consequences, lessen the likelihood of failures that might cause harm and take appropriate remedial actions. Buyer will fully indemnify TI and its representatives against any damages arising out of the use of any TI components in safety-critical applications.

In some cases, TI components may be promoted specifically to facilitate safety-related applications. With such components, TI's goal is to help enable customers to design and create their own end-product solutions that meet applicable functional safety standards and requirements. Nonetheless, such components are subject to these terms.

No TI components are authorized for use in FDA Class III (or similar life-critical medical equipment) unless authorized officers of the parties have executed a special agreement specifically governing such use.

Only those TI components which TI has specifically designated as military grade or "enhanced plastic" are designed and intended for use in military/aerospace applications or environments. Buyer acknowledges and agrees that any military or aerospace use of TI components which have **not** been so designated is solely at the Buyer's risk, and that Buyer is solely responsible for compliance with all legal and regulatory requirements in connection with such use.

TI has specifically designated certain components as meeting ISO/TS16949 requirements, mainly for automotive use. In any case of use of non-designated products, TI will not be responsible for any failure to meet ISO/TS16949.

Products

Audio	www.ti.com/audio
Amplifiers	amplifier.ti.com
Data Converters	dataconverter.ti.com
DLP® Products	www.dlp.com
DSP	dsp.ti.com
Clocks and Timers	www.ti.com/clocks
Interface	interface.ti.com
Logic	logic.ti.com
Power Mgmt	power.ti.com
Microcontrollers	microcontroller.ti.com
RFID	www.ti-rfid.com
OMAP Applications Processors	www.ti.com/omap
Wireless Connectivity	www.ti.com/wirelessconnectivity

Applications

Automotive and Transportation	www.ti.com/automotive
Communications and Telecom	www.ti.com/communications
Computers and Peripherals	www.ti.com/computers
Consumer Electronics	www.ti.com/consumer-apps
Energy and Lighting	www.ti.com/energy
Industrial	www.ti.com/industrial
Medical	www.ti.com/medical
Security	www.ti.com/security
Space, Avionics and Defense	www.ti.com/space-avionics-defense
Video and Imaging	www.ti.com/video

TI E2E Community

e2e.ti.com