



## K10 Sub-Family

Supports the following:

MK10DN32VLH5, MK10DX32VLH5,  
MK10DN64VLH5, MK10DX64VLH5,  
MK10DN128VLH5, MK10DX128VLH5,  
MK10DN32VMP5, MK10DX32VMP5,  
MK10DN64VMP5, MK10DX64VMP5,  
MK10DN128VMP5, MK10DX128VMP5

### Features

- Operating Characteristics
  - Voltage range: 1.71 to 3.6 V
  - Flash write voltage range: 1.71 to 3.6 V
  - Temperature range (ambient): -40 to 105°C
- Performance
  - Up to 50 MHz ARM Cortex-M4 core with DSP instructions delivering 1.25 Dhrystone MIPS per MHz
- Memories and memory interfaces
  - Up to 128 KB program flash.
  - Up to 32 KB FlexNVM on FlexMemory devices
  - 2 KB FlexRAM on FlexMemory devices
  - Up to 16 KB RAM
  - Serial programming interface (EzPort)
- Clocks
  - 3 to 32 MHz crystal oscillator
  - 32 kHz crystal oscillator
  - Multi-purpose clock generator
- System peripherals
  - Multiple low-power modes to provide power optimization based on application requirements
  - 4-channel DMA controller, supporting up to 41 request sources
  - External watchdog monitor
  - Software watchdog
  - Low-leakage wakeup unit
- Security and integrity modules
  - Hardware CRC module to support fast cyclic redundancy checks
  - 128-bit unique identification (ID) number per chip
- Analog modules
  - 16-bit SAR ADC
  - Two analog comparators (CMP) containing a 6-bit DAC and programmable reference input
  - Voltage reference
- Timers
  - Programmable delay block
  - Eight-channel motor control/general purpose/PWM timer
  - Two-channel quadrature decoder/general purpose timer
  - Periodic interrupt timers
  - 16-bit low-power timer
  - Carrier modulator transmitter
  - Real-time clock
- Communication interfaces
  - SPI module
  - I2C module
  - Three UART modules
  - I2S module

## K10P64M50SF0



# Table of Contents

|       |  |    |       |  |    |
|-------|--|----|-------|--|----|
| 1     | Ordering parts.....  | 3  | 5.3.2 | General switching specifications.....                      | 20 |
| 1.1   | Determining valid orderable parts.....                       | 3  | 5.4   | Thermal specifications.....                                | 21 |
| 2     | Part identification.....                                     | 3  | 5.4.1 | Thermal operating requirements.....                        | 21 |
| 2.1   | Description.....   | 3  | 5.4.2 | Thermal attributes.....                                    | 21 |
| 2.2   | Format.....  | 3  | 6     | Peripheral operating requirements and behaviors.....       | 22 |
| 2.3   | Fields.....  | 3  | 6.1   | Core modules.....  | 22 |
| 2.4   | Example.....   | 4  | 6.1.1 | JTAG electricals.....                                      | 22 |
| 3     | Terminology and guidelines.....                              | 4  | 6.2   | System modules.....  | 25 |
| 3.1   | Definition: Operating requirement.....                       | 4  | 6.3   | Clock modules.....   | 25 |
| 3.2   | Definition: Operating behavior.....                          | 5  | 6.3.1 | MCG specifications.....                                    | 25 |
| 3.3   | Definition: Attribute.....                                   | 5  | 6.3.2 | Oscillator electrical specifications.....                  | 27 |
| 3.4   | Definition: Rating.....                                      | 6  | 6.3.3 | 32 kHz Oscillator Electrical Characteristics.....          | 29 |
| 3.5   | Result of exceeding a rating.....                            | 6  | 6.4   | Memories and memory interfaces.....                        | 30 |
| 3.6   | Relationship between ratings and operating requirements..... | 6  | 6.4.1 | Flash electrical specifications.....                       | 30 |
| 3.7   | Guidelines for ratings and operating requirements.....       | 7  | 6.4.2 | EzPort Switching Specifications.....                       | 34 |
| 3.8   | Definition: Typical value.....                               | 7  | 6.5   | Security and integrity modules.....                        | 35 |
| 3.9   | Typical value conditions.....                                | 8  | 6.6   | Analog.....  | 35 |
| 4     | Ratings.....   | 9  | 6.6.1 | ADC electrical specifications.....                         | 35 |
| 4.1   | Thermal handling ratings.....                                | 9  | 6.6.2 | CMP and 6-bit DAC electrical specifications.....           | 40 |
| 4.2   | Moisture handling ratings.....                               | 9  | 6.6.3 | Voltage reference electrical specifications.....           | 43 |
| 4.3   | ESD handling ratings.....                                    | 9  | 6.7   | Timers.....  | 44 |
| 4.4   | Voltage and current operating ratings.....                   | 9  | 6.8   | Communication interfaces.....                              | 44 |
| 5     | General.....   | 10 | 6.8.1 | DSPI switching specifications (limited voltage range)..... | 44 |
| 5.1   | AC electrical characteristics.....                           | 10 | 6.8.2 | DSPI switching specifications (full voltage range).....    | 46 |
| 5.2   | Nonswitching electrical specifications.....                  | 10 | 6.8.3 | I2C switching specifications.....                          | 48 |
| 5.2.1 | Voltage and current operating requirements.....              | 10 | 6.8.4 | UART switching specifications.....                         | 48 |
| 5.2.2 | LVD and POR operating requirements.....                      | 11 | 6.8.5 | I2S/SAI Switching Specifications.....                      | 48 |
| 5.2.3 | Voltage and current operating behaviors.....                 | 12 | 6.9   | Human-machine interfaces (HMI).....                        | 52 |
| 5.2.4 | Power mode transition operating behaviors.....               | 13 | 6.9.1 | TSI electrical specifications.....                         | 52 |
| 5.2.5 | Power consumption operating behaviors.....                   | 14 | 7     | Dimensions.....  | 54 |
| 5.2.6 | EMC radiated emissions operating behaviors.....              | 18 | 7.1   | Obtaining package dimensions.....                          | 54 |
| 5.2.7 | Designing with radiated emissions in mind.....               | 19 | 8     | Pinout.....  | 54 |
| 5.2.8 | Capacitance attributes.....                                  | 19 | 8.1   | K10 Signal Multiplexing and Pin Assignments.....           | 54 |
| 5.3   | Switching specifications.....                                | 19 | 8.2   | K10 Pinouts.....   | 57 |
| 5.3.1 | Device clock specifications.....                             | 19 | 9     | Revision History.....                                      | 59 |

# 1 Ordering parts

## 1.1 Determining valid orderable parts

Valid orderable part numbers are provided on the web. To determine the orderable part numbers for this device, go to <http://www.freescale.com> and perform a part number search for the following device numbers: PK10 and MK10 .

## 2 Part identification

### 2.1 Description

Part numbers for the chip have fields that identify the specific part. You can use the values of these fields to determine the specific part you have received.

### 2.2 Format

Part numbers for this device have the following format:

Q K## A M FFF R T PP CC N

### 2.3 Fields

This table lists the possible values for each field in the part number (not all combinations are valid):

| Field | Description          | Values   |
|-------|----------------------|--|
| Q     | Qualification status | <ul style="list-style-type: none"> <li>M = Fully qualified, general market flow</li> <li>P = Prequalification</li> </ul> |
| K##   | Kinetis family       | <ul style="list-style-type: none"> <li>K10</li> </ul>  |
| A     | Key attribute        | <ul style="list-style-type: none"> <li>D = Cortex-M4 w/ DSP</li> <li>F = Cortex-M4 w/ DSP and FPU</li> </ul>             |
| M     | Flash memory type    | <ul style="list-style-type: none"> <li>N = Program flash only</li> <li>X = Program flash and FlexMemory</li> </ul>       |

*Table continues on the next page...*

## Terminology and guidelines

| Field | Description                 | Values   |
|-------|-----------------------------|--|
| FFF   | Program flash memory size   | <ul style="list-style-type: none"><li>• 32 = 32 KB</li><li>• 64 = 64 KB</li><li>• 128 = 128 KB</li><li>• 256 = 256 KB</li><li>• 512 = 512 KB</li><li>• 1M0 = 1 MB</li></ul>  |
| R     | Silicon revision            | <ul style="list-style-type: none"><li>• Z = Initial</li><li>• (Blank) = Main</li><li>• A = Revision after main</li></ul>   |
| T     | Temperature range (°C)      | <ul style="list-style-type: none"><li>• V = -40 to 105</li><li>• C = -40 to 85</li></ul>   |
| PP    | Package identifier          | <ul style="list-style-type: none"><li>• FM = 32 QFN (5 mm x 5 mm)</li><li>• FT = 48 QFN (7 mm x 7 mm)</li><li>• LF = 48 LQFP (7 mm x 7 mm)</li><li>• LH = 64 LQFP (10 mm x 10 mm)</li><li>• MP = 64 MAPBGA (5 mm x 5 mm)</li><li>• LK = 80 LQFP (12 mm x 12 mm)</li><li>• MB = 81 MAPBGA (8 mm x 8 mm)</li><li>• LL = 100 LQFP (14 mm x 14 mm)</li><li>• ML = 104 MAPBGA (8 mm x 8 mm)</li><li>• MC = 121 MAPBGA (8 mm x 8 mm)</li><li>• LQ = 144 LQFP (20 mm x 20 mm)</li><li>• MD = 144 MAPBGA (13 mm x 13 mm)</li><li>• MJ = 256 MAPBGA (17 mm x 17 mm)</li></ul> |
| CC    | Maximum CPU frequency (MHz) | <ul style="list-style-type: none"><li>• 5 = 50 MHz</li><li>• 7 = 72 MHz</li><li>• 10 = 100 MHz</li><li>• 12 = 120 MHz</li><li>• 15 = 150 MHz</li></ul>   |
| N     | Packaging type              | <ul style="list-style-type: none"><li>• R = Tape and reel</li><li>• (Blank) = Trays</li></ul>  |

## 2.4 Example

This is an example part number:

MK10DN128VLH5

## 3 Terminology and guidelines

### 3.1 Definition: Operating requirement

An *operating requirement* is a specified value or range of values for a technical characteristic that you must guarantee during operation to avoid incorrect operation and possibly decreasing the useful life of the chip.

#### 3.1.1 Example

This is an example of an operating requirement, which you must meet for the accompanying operating behaviors to be guaranteed:

| Symbol          | Description               | Min. | Max. | Unit |
|-----------------|---------------------------|------|------|------|
| V <sub>DD</sub> | 1.0 V core supply voltage | 0.9  | 1.1  | V    |

### 3.2 Definition: Operating behavior

An *operating behavior* is a specified value or range of values for a technical characteristic that are guaranteed during operation if you meet the operating requirements and any other specified conditions.

#### 3.2.1 Example

This is an example of an operating behavior, which is guaranteed if you meet the accompanying operating requirements:

| Symbol          | Description                              | Min. | Max. | Unit |
|-----------------|--|------|------|------|
| I <sub>WP</sub> | Digital I/O weak pullup/pulldown current | 10   | 130  | μA   |

### 3.3 Definition: Attribute

An *attribute* is a specified value or range of values for a technical characteristic that are guaranteed, regardless of whether you meet the operating requirements.

### 3.3.1 Example

This is an example of an attribute:

| Symbol | Description                     | Min. | Max. | Unit |
|--------|---------------------------------|------|------|------|
| CIN_D  | Input capacitance: digital pins | —    | 7    | pF   |

### 3.4 Definition: Rating

A *rating* is a minimum or maximum value of a technical characteristic that, if exceeded, may cause permanent chip failure:

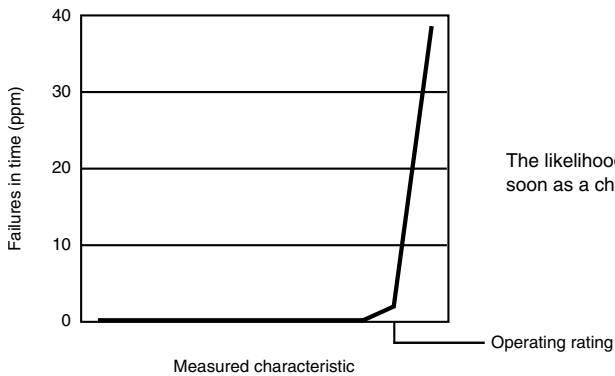
- *Operating ratings* apply during operation of the chip.
- *Handling ratings* apply when the chip is not powered.

#### 3.4.1 Example

This is an example of an operating rating:

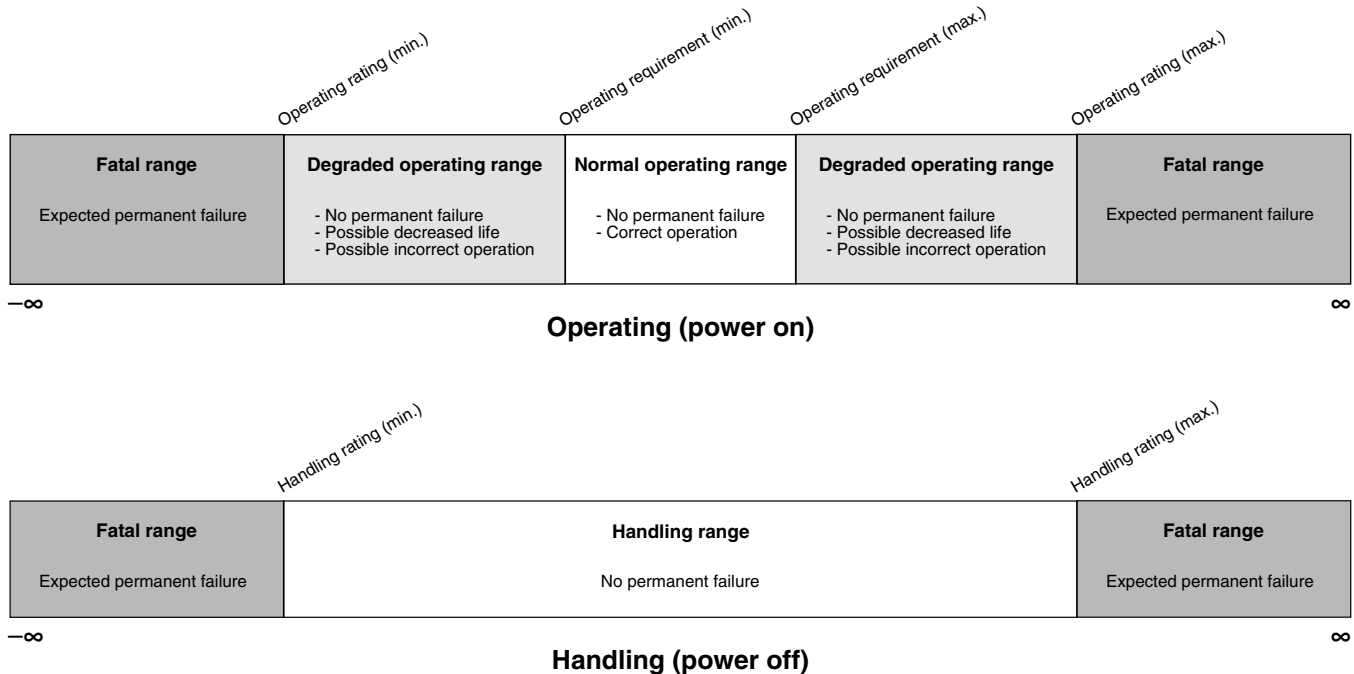
| Symbol          | Description               | Min. | Max. | Unit |
|-----------------|---------------------------|------|------|------|
| V <sub>DD</sub> | 1.0 V core supply voltage | -0.3 | 1.2  | V    |

### 3.5 Result of exceeding a rating



The likelihood of permanent chip failure increases rapidly as soon as a characteristic begins to exceed one of its operating ratings.

### 3.6 Relationship between ratings and operating requirements



### 3.7 Guidelines for ratings and operating requirements

Follow these guidelines for ratings and operating requirements:

- Never exceed any of the chip's ratings.
- During normal operation, don't exceed any of the chip's operating requirements.
- If you must exceed an operating requirement at times other than during normal operation (for example, during power sequencing), limit the duration as much as possible.

### 3.8 Definition: Typical value

A *typical value* is a specified value for a technical characteristic that:

- Lies within the range of values specified by the operating behavior
- Given the typical manufacturing process, is representative of that characteristic during operation when you meet the typical-value conditions or other specified conditions

Typical values are provided as design guidelines and are neither tested nor guaranteed.

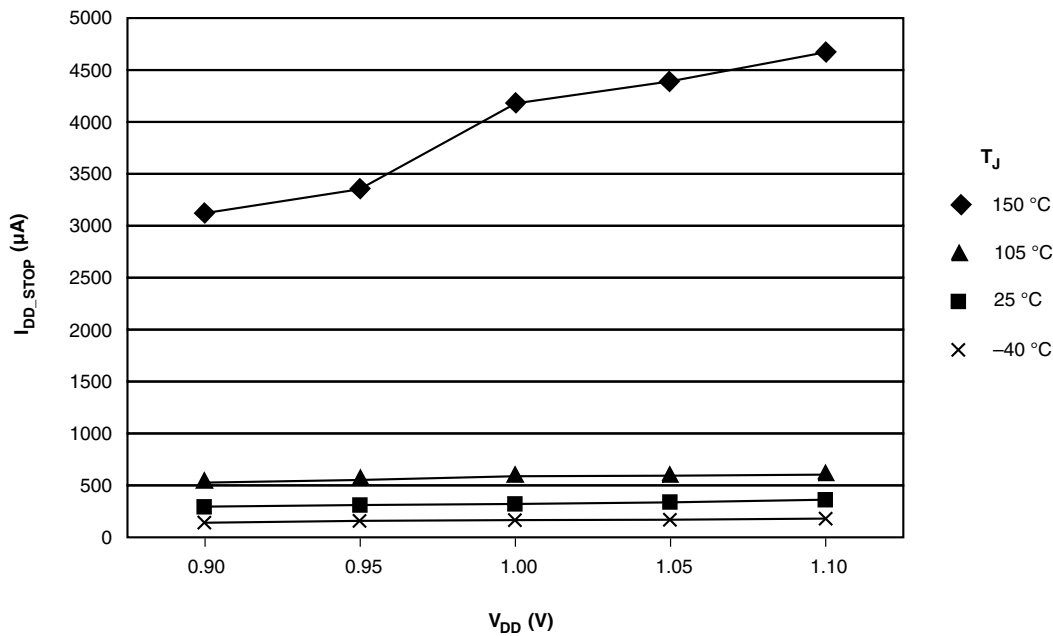
### 3.8.1 Example 1

This is an example of an operating behavior that includes a typical value:

| Symbol          | Description                              | Min. | Typ. | Max. | Unit |
|-----------------|--|------|------|------|------|
| I <sub>WP</sub> | Digital I/O weak pullup/pulldown current | 10   | 70   | 130  | μA   |

### 3.8.2 Example 2

This is an example of a chart that shows typical values for various voltage and temperature conditions:



## 3.9 Typical value conditions

Typical values assume you meet the following conditions (or other conditions as specified):

| Symbol          | Description          | Value | Unit |
|-----------------|----------------------|-------|------|
| T <sub>A</sub>  | Ambient temperature  | 25    | °C   |
| V <sub>DD</sub> | 3.3 V supply voltage | 3.3   | V    |



## 4 Ratings

### 4.1 Thermal handling ratings

| Symbol           | Description                   | Min. | Max. | Unit | Notes |
|------------------|-------------------------------|------|------|------|-------|
| T <sub>STG</sub> | Storage temperature           | -55  | 150  | °C   | 1     |
| T <sub>SDR</sub> | Solder temperature, lead-free | —    | 260  | °C   | 2     |

1. Determined according to JEDEC Standard JESD22-A103, *High Temperature Storage Life*.
2. Determined according to IPC/JEDEC Standard J-STD-020, *Moisture/Reflow Sensitivity Classification for Nonhermetic Solid State Surface Mount Devices*.

### 4.2 Moisture handling ratings

| Symbol | Description                | Min. | Max. | Unit | Notes |
|--------|----------------------------|------|------|------|-------|
| MSL    | Moisture sensitivity level | —    | 3    | —    | 1     |

1. Determined according to IPC/JEDEC Standard J-STD-020, *Moisture/Reflow Sensitivity Classification for Nonhermetic Solid State Surface Mount Devices*.

### 4.3 ESD handling ratings

| Symbol           | Description   | Min.  | Max.  | Unit | Notes |
|------------------|---|-------|-------|------|-------|
| V <sub>HBM</sub> | Electrostatic discharge voltage, human body model     | -2000 | +2000 | V    | 1     |
| V <sub>CDM</sub> | Electrostatic discharge voltage, charged-device model | -500  | +500  | V    | 2     |
| I <sub>LAT</sub> | Latch-up current at ambient temperature of 105°C      | -100  | +100  | mA   |       |

1. Determined according to JEDEC Standard JESD22-A114, *Electrostatic Discharge (ESD) Sensitivity Testing Human Body Model (HBM)*.
2. Determined according to JEDEC Standard JESD22-C101, *Field-Induced Charged-Device Model Test Method for Electrostatic-Discharge-Withstand Thresholds of Microelectronic Components*.

### 4.4 Voltage and current operating ratings

| Symbol          | Description            | Min. | Max. | Unit |
|-----------------|------------------------|------|------|------|
| V <sub>DD</sub> | Digital supply voltage | -0.3 | 3.8  | V    |

Table continues on the next page...

## General

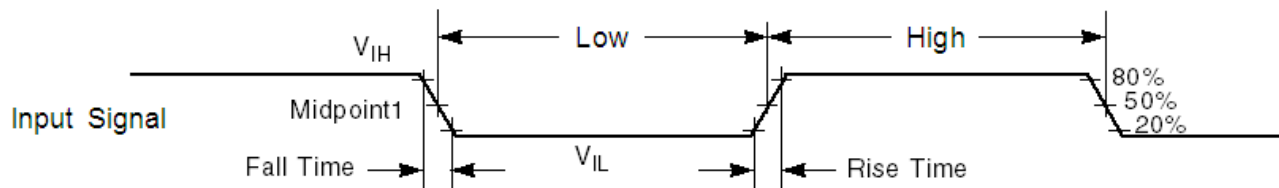
| Symbol    | Description   | Min.           | Max.           | Unit |
|-----------|---|----------------|----------------|------|
| $I_{DD}$  | Digital supply current  | —              | 155            | mA   |
| $V_{DIO}$ | Digital input voltage (except RESET, EXTAL, and XTAL)                           | -0.3           | $V_{DD} + 0.3$ | V    |
| $V_{AIO}$ | Analog <sup>1</sup> , $\overline{\text{RESET}}$ , EXTAL, and XTAL input voltage | -0.3           | $V_{DD} + 0.3$ | V    |
| $I_D$     | Maximum current single pin limit (applies to all port pins)                     | -25            | 25             | mA   |
| $V_{DDA}$ | Analog supply voltage   | $V_{DD} - 0.3$ | $V_{DD} + 0.3$ | V    |
| $V_{BAT}$ | RTC battery supply voltage  | -0.3           | 3.8            | V    |

1. Analog pins are defined as pins that do not have an associated general purpose I/O port function.

## 5 General

### 5.1 AC electrical characteristics

Unless otherwise specified, propagation delays are measured from the 50% to the 50% point, and rise and fall times are measured at the 20% and 80% points, as shown in the following figure.



The midpoint is  $V_{IL} + (V_{IH} - V_{IL})/2$ .

**Figure 1. Input signal measurement reference**

All digital I/O switching characteristics assume:

1. output pins
  - have  $C_L=30\text{pF}$  loads,
  - are configured for fast slew rate ( $\text{PORTx\_PCRn[SRE]}=0$ ), and
  - are configured for high drive strength ( $\text{PORTx\_PCRn[DSE]}=1$ )
2. input pins
  - have their passive filter disabled ( $\text{PORTx\_PCRn[PFE]}=0$ )

### 5.2 Nonswitching electrical specifications

## 5.2.1 Voltage and current operating requirements

Table 1. Voltage and current operating requirements

| Symbol                             | Description   | Min.  | Max.  | Unit   | Notes |
|------------------------------------|---|---|---|--------|-------|
| V <sub>DD</sub>                    | Supply voltage  | 1.71  | 3.6   | V      |       |
| V <sub>DDA</sub>                   | Analog supply voltage   | 1.71  | 3.6   | V      |       |
| V <sub>DD</sub> – V <sub>DDA</sub> | V <sub>DD</sub> -to-V <sub>DDA</sub> differential voltage   | -0.1  | 0.1   | V      |       |
| V <sub>SS</sub> – V <sub>SSA</sub> | V <sub>SS</sub> -to-V <sub>SSA</sub> differential voltage   | -0.1  | 0.1   | V      |       |
| V <sub>BAT</sub>                   | RTC battery supply voltage  | 1.71  | 3.6   | V      |       |
| V <sub>IH</sub>                    | Input high voltage <ul style="list-style-type: none"> <li>• 2.7 V ≤ V<sub>DD</sub> ≤ 3.6 V</li> <li>• 1.7 V ≤ V<sub>DD</sub> ≤ 2.7 V</li> </ul>   | 0.7 × V <sub>DD</sub><br>0.75 × V <sub>DD</sub> | —<br>—  | V<br>V |       |
| V <sub>IL</sub>                    | Input low voltage <ul style="list-style-type: none"> <li>• 2.7 V ≤ V<sub>DD</sub> ≤ 3.6 V</li> <li>• 1.7 V ≤ V<sub>DD</sub> ≤ 2.7 V</li> </ul>  | —<br>—  | 0.35 × V <sub>DD</sub><br>0.3 × V <sub>DD</sub> | V<br>V |       |
| V <sub>HYS</sub>                   | Input hysteresis  | 0.06 × V <sub>DD</sub>                          | —   | V      |       |
| I <sub>ICIO</sub>                  | I/O pin DC injection current — single pin <ul style="list-style-type: none"> <li>• V<sub>IN</sub> &lt; V<sub>SS</sub>-0.3V (Negative current injection)</li> <li>• V<sub>IN</sub> &gt; V<sub>DD</sub>+0.3V (Positive current injection)</li> </ul>                                | -3<br>—   | —<br>+3   | mA     | 1     |
| I <sub>ICcont</sub>                | Contiguous pin DC injection current —regional limit, includes sum of negative injection currents or sum of positive injection currents of 16 contiguous pins <ul style="list-style-type: none"> <li>• Negative current injection</li> <li>• Positive current injection</li> </ul> | -25<br>—  | —<br>+25  | mA     |       |
| V <sub>RAM</sub>                   | V <sub>DD</sub> voltage required to retain RAM  | 1.2   | —   | V      |       |
| V <sub>RFVBAT</sub>                | V <sub>BAT</sub> voltage required to retain the VBAT register file  | V <sub>POR_VBAT</sub>                           | —   | V      |       |

1. All analog pins are internally clamped to V<sub>SS</sub> and V<sub>DD</sub> through ESD protection diodes. If V<sub>IN</sub> is greater than V<sub>AIO\_MIN</sub> (=V<sub>SS</sub>-0.3V) and V<sub>IN</sub> is less than V<sub>AIO\_MAX</sub>(=V<sub>DD</sub>+0.3V) is observed, then there is no need to provide current limiting resistors at the pads. If these limits cannot be observed then a current limiting resistor is required. The negative DC injection current limiting resistor is calculated as  $R=(V_{AIO\_MIN}-V_{IN})/|I_{IC}|$ . The positive injection current limiting resistor is calculated as  $R=(V_{IN}-V_{AIO\_MAX})/|I_{IC}|$ . Select the larger of these two calculated resistances.

## 5.2.2 LVD and POR operating requirements

Table 2. V<sub>DD</sub> supply LVD and POR operating requirements

| Symbol           | Description                    | Min. | Typ. | Max. | Unit | Notes |
|------------------|--------------------------------|------|------|------|------|-------|
| V <sub>POR</sub> | Falling VDD POR detect voltage | 0.8  | 1.1  | 1.5  | V    |       |

Table continues on the next page...

**Table 2. V<sub>DD</sub> supply LVD and POR operating requirements (continued)**

| Symbol             | Description  | Min. | Typ. | Max. | Unit | Notes |
|--------------------|--|------|------|------|------|-------|
| V <sub>LVDH</sub>  | Falling low-voltage detect threshold — high range (LVDV=01)  | 2.48 | 2.56 | 2.64 | V    |       |
| V <sub>LVW1H</sub> | Low-voltage warning thresholds — high range <ul style="list-style-type: none"> <li>• Level 1 falling (LVWV=00)</li> <li>• Level 2 falling (LVWV=01)</li> <li>• Level 3 falling (LVWV=10)</li> <li>• Level 4 falling (LVWV=11)</li> </ul> | 2.62 | 2.70 | 2.78 | V    | 1     |
| V <sub>LVW2H</sub> |  | 2.72 | 2.80 | 2.88 | V    |       |
| V <sub>LVW3H</sub> |  | 2.82 | 2.90 | 2.98 | V    |       |
| V <sub>LVW4H</sub> |  | 2.92 | 3.00 | 3.08 | V    |       |
| V <sub>HYSH</sub>  | Low-voltage inhibit reset/recover hysteresis — high range  | —    | ±80  | —    | mV   |       |
| V <sub>LVDL</sub>  | Falling low-voltage detect threshold — low range (LVDV=00)   | 1.54 | 1.60 | 1.66 | V    |       |
| V <sub>LVW1L</sub> | Low-voltage warning thresholds — low range <ul style="list-style-type: none"> <li>• Level 1 falling (LVWV=00)</li> <li>• Level 2 falling (LVWV=01)</li> <li>• Level 3 falling (LVWV=10)</li> <li>• Level 4 falling (LVWV=11)</li> </ul>  | 1.74 | 1.80 | 1.86 | V    | 1     |
| V <sub>LVW2L</sub> |  | 1.84 | 1.90 | 1.96 | V    |       |
| V <sub>LVW3L</sub> |  | 1.94 | 2.00 | 2.06 | V    |       |
| V <sub>LVW4L</sub> |  | 2.04 | 2.10 | 2.16 | V    |       |
| V <sub>HYSL</sub>  | Low-voltage inhibit reset/recover hysteresis — low range   | —    | ±60  | —    | mV   |       |
| V <sub>BG</sub>    | Bandgap voltage reference  | 0.97 | 1.00 | 1.03 | V    |       |
| t <sub>LPO</sub>   | Internal low power oscillator period — factory trimmed   | 900  | 1000 | 1100 | μs   |       |

1. Rising thresholds are falling threshold + hysteresis voltage

**Table 3. VBAT power operating requirements**

| Symbol                | Description                            | Min. | Typ. | Max. | Unit | Notes |
|-----------------------|--|------|------|------|------|-------|
| V <sub>POR_VBAT</sub> | Falling VBAT supply POR detect voltage | 0.8  | 1.1  | 1.5  | V    |       |

## 5.2.3 Voltage and current operating behaviors

**Table 4. Voltage and current operating behaviors**

| Symbol           | Description  | Min.                  | Max. | Unit | Notes |
|------------------|--|-----------------------|------|------|-------|
| V <sub>OH</sub>  | Output high voltage — high drive strength <ul style="list-style-type: none"> <li>• 2.7 V ≤ V<sub>DD</sub> ≤ 3.6 V, I<sub>OH</sub> = -9 mA</li> <li>• 1.71 V ≤ V<sub>DD</sub> ≤ 2.7 V, I<sub>OH</sub> = -3 mA</li> </ul>  | V <sub>DD</sub> - 0.5 | —    | V    |       |
|                  | Output high voltage — low drive strength <ul style="list-style-type: none"> <li>• 2.7 V ≤ V<sub>DD</sub> ≤ 3.6 V, I<sub>OH</sub> = -2 mA</li> <li>• 1.71 V ≤ V<sub>DD</sub> ≤ 2.7 V, I<sub>OH</sub> = -0.6 mA</li> </ul> | V <sub>DD</sub> - 0.5 | —    | V    |       |
| I <sub>OHT</sub> | Output high current total for all ports  | —                     | 100  | mA   |       |
| V <sub>OL</sub>  | Output low voltage — high drive strength <ul style="list-style-type: none"> <li>• 2.7 V ≤ V<sub>DD</sub> ≤ 3.6 V, I<sub>OL</sub> = 9 mA</li> <li>• 1.71 V ≤ V<sub>DD</sub> ≤ 2.7 V, I<sub>OL</sub> = 3 mA</li> </ul>     | —                     | 0.5  | V    |       |
|                  | Output low voltage — low drive strength <ul style="list-style-type: none"> <li>• 2.7 V ≤ V<sub>DD</sub> ≤ 3.6 V, I<sub>OL</sub> = 2 mA</li> <li>• 1.71 V ≤ V<sub>DD</sub> ≤ 2.7 V, I<sub>OL</sub> = 0.6 mA</li> </ul>    | —                     | 0.5  | V    |       |
| I <sub>OLT</sub> | Output low current total for all ports   | —                     | 100  | mA   |       |
| I <sub>IN</sub>  | Input leakage current (per pin) <ul style="list-style-type: none"> <li>• @ full temperature range</li> <li>• @ 25 °C</li> </ul>  | —                     | 1.0  | μA   | 1     |
|                  |  | —                     | 0.1  | μA   |       |
| I <sub>OZ</sub>  | Hi-Z (off-state) leakage current (per pin)   | —                     | 1    | μA   |       |
| I <sub>OZ</sub>  | Total Hi-Z (off-state) leakage current (all input pins)  | —                     | 4    | μA   |       |
| R <sub>PU</sub>  | Internal pullup resistors  | 22                    | 50   | kΩ   | 2     |
| R <sub>PD</sub>  | Internal pulldown resistors  | 22                    | 50   | kΩ   | 3     |

1. Tested by ganged leakage method
2. Measured at V<sub>input</sub> = V<sub>SS</sub>
3. Measured at V<sub>input</sub> = V<sub>DD</sub>

## 5.2.4 Power mode transition operating behaviors

All specifications except t<sub>POR</sub>, and VLLS<sub>x</sub>→RUN recovery times in the following table assume this clock configuration:

- CPU and system clocks = 50 MHz
- Bus clock = 50 MHz
- Flash clock = 25 MHz

**Table 5. Power mode transition operating behaviors**

| Symbol    | Description  | Min. | Max. | Unit    | Notes |
|-----------|--|------|------|---------|-------|
| $t_{POR}$ | After a POR event, amount of time from the point $V_{DD}$ reaches 1.71 V to execution of the first instruction across the operating temperature range of the chip. | —    | 300  | $\mu s$ | 1     |
|           | • VLLS0 → RUN  | —    | 130  | $\mu s$ |       |
|           | • VLLS1 → RUN  | —    | 130  | $\mu s$ |       |
|           | • VLLS2 → RUN  | —    | 70   | $\mu s$ |       |
|           | • VLLS3 → RUN  | —    | 70   | $\mu s$ |       |
|           | • LLS → RUN  | —    | 6    | $\mu s$ |       |
|           | • VLPS → RUN   | —    | 5.2  | $\mu s$ |       |
|           | • STOP → RUN   | —    | 5.2  | $\mu s$ |       |

1. Normal boot (FTFL\_OPT[LPBOOT]=1)

## 5.2.5 Power consumption operating behaviors

**Table 6. Power consumption operating behaviors**

| Symbol         | Description   | Min. | Typ. | Max.     | Unit | Notes |
|----------------|---|------|------|----------|------|-------|
| $I_{DDA}$      | Analog supply current   | —    | —    | See note | mA   | 1     |
| $I_{DD\_RUN}$  | Run mode current — all peripheral clocks disabled, code executing from flash  | —    | 13.7 | 15.1     | mA   | 2     |
|                | • @ 1.8V  | —    | 13.9 | 15.3     | mA   |       |
|                | • @ 3.0V  |      |      |          |      |       |
| $I_{DD\_RUN}$  | Run mode current — all peripheral clocks enabled, code executing from flash   | —    | 16.1 | 18.2     | mA   | 3, 4  |
|                | • @ 1.8V  | —    | 16.3 | 17.7     | mA   |       |
|                | • @ 3.0V  | —    | 16.7 | 18.4     | mA   |       |
|                | • @ 25°C  |      |      |          |      |       |
|                | • @ 125°C   |      |      |          |      |       |
| $I_{DD\_WAIT}$ | Wait mode high frequency current at 3.0 V — all peripheral clocks disabled    | —    | 7.5  | 8.4      | mA   | 2     |
| $I_{DD\_WAIT}$ | Wait mode reduced frequency current at 3.0 V — all peripheral clocks disabled | —    | 5.6  | 6.4      | mA   | 5     |

Table continues on the next page...

**Table 6. Power consumption operating behaviors (continued)**

| Symbol                | Description  | Min. | Typ.  | Max. | Unit | Notes |
|-----------------------|--|------|-------|------|------|-------|
| I <sub>DD_VLPR</sub>  | Very-low-power run mode current at 3.0 V — all peripheral clocks disabled  | —    | 867   | —    | μA   | 6     |
| I <sub>DD_VLPR</sub>  | Very-low-power run mode current at 3.0 V — all peripheral clocks enabled   | —    | 1.1   | —    | mA   | 7     |
| I <sub>DD_VLPW</sub>  | Very-low-power wait mode current at 3.0 V  | —    | 509   | —    | μA   | 8     |
| I <sub>DD_STOP</sub>  | Stop mode current at 3.0 V <ul style="list-style-type: none"> <li>@ -40 to 25°C</li> <li>@ 70°C</li> <li>@ 105°C</li> </ul>  | —    | 310   | 426  | μA   |       |
| I <sub>DD_VLPS</sub>  | Very-low-power stop mode current at 3.0 V <ul style="list-style-type: none"> <li>@ -40 to 25°C</li> <li>@ 70°C</li> <li>@ 105°C</li> </ul>                                     | —    | 3.5   | 22.6 | μA   |       |
| I <sub>DD_LLS</sub>   | Low leakage stop mode current at 3.0 V <ul style="list-style-type: none"> <li>@ -40 to 25°C</li> <li>@ 70°C</li> <li>@ 105°C</li> </ul>  | —    | 2.1   | 3.7  | μA   |       |
| I <sub>DD_VLLS3</sub> | Very low-leakage stop mode 3 current at 3.0 V <ul style="list-style-type: none"> <li>@ -40 to 25°C</li> <li>@ 70°C</li> <li>@ 105°C</li> </ul>                                 | —    | 1.5   | 2.9  | μA   |       |
| I <sub>DD_VLLS2</sub> | Very low-leakage stop mode 2 current at 3.0 V <ul style="list-style-type: none"> <li>@ -40 to 25°C</li> <li>@ 70°C</li> <li>@ 105°C</li> </ul>                                 | —    | 1.4   | 2.8  | μA   |       |
| I <sub>DD_VLLS1</sub> | Very low-leakage stop mode 1 current at 3.0 V <ul style="list-style-type: none"> <li>@ -40 to 25°C</li> <li>@ 70°C</li> <li>@ 105°C</li> </ul>                                 | —    | 0.678 | 1.3  | μA   |       |
| I <sub>DD_VLLS0</sub> | Very low-leakage stop mode 0 current at 3.0 V with POR detect circuit enabled <ul style="list-style-type: none"> <li>@ -40 to 25°C</li> <li>@ 70°C</li> <li>@ 105°C</li> </ul> | —    | 0.367 | 1.0  | μA   |       |
|                       |  | —    | 2.4   | 13.3 | μA   |       |
|                       |  | —    | 13.2  | 24.1 | μA   |       |

Table continues on the next page...

**Table 6. Power consumption operating behaviors (continued)**

| Symbol                | Description  | Min. | Typ.  | Max.  | Unit | Notes |
|-----------------------|--|------|-------|-------|------|-------|
| I <sub>DD_VLLS0</sub> | Very low-leakage stop mode 0 current at 3.0 V with POR detect circuit disabled <ul style="list-style-type: none"> <li>• @ -40 to 25°C</li> <li>• @ 70°C</li> <li>• @ 105°C</li> </ul>  | —    | 0.176 | 0.859 | μA   |       |
|                       |  | —    | 2.2   | 13.1  | μA   |       |
|                       |  | —    | 13    | 23.9  | μA   |       |
|                       |  |      |       |       |      |       |
| I <sub>DD_VBAT</sub>  | Average current with RTC and 32kHz disabled at 3.0 V <ul style="list-style-type: none"> <li>• @ -40 to 25°C</li> <li>• @ 70°C</li> <li>• @ 105°C</li> </ul>  | —    | 0.19  | 0.22  | μA   |       |
|                       |  | —    | 0.49  | 0.64  | μA   |       |
|                       |  | —    | 2.2   | 3.2   | μA   |       |
|                       |  |      |       |       |      |       |
| I <sub>DD_VBAT</sub>  | Average current when CPU is not accessing RTC registers <ul style="list-style-type: none"> <li>• @ 1.8V <ul style="list-style-type: none"> <li>• @ -40 to 25°C</li> <li>• @ 70°C</li> <li>• @ 105°C</li> </ul> </li> <li>• @ 3.0V <ul style="list-style-type: none"> <li>• @ -40 to 25°C</li> <li>• @ 70°C</li> <li>• @ 105°C</li> </ul> </li> </ul> | —    | 0.57  | 0.67  | μA   | 9     |
|                       |  | —    | 0.90  | 1.2   | μA   |       |
|                       |  | —    | 2.4   | 3.5   | μA   |       |
|                       |  | —    | 0.67  | 0.94  | μA   |       |
|                       |  | —    | 1.0   | 1.4   | μA   |       |
|                       |  | —    | 2.7   | 3.9   | μA   |       |
|                       |  |      |       |       |      |       |
|                       |  |      |       |       |      |       |

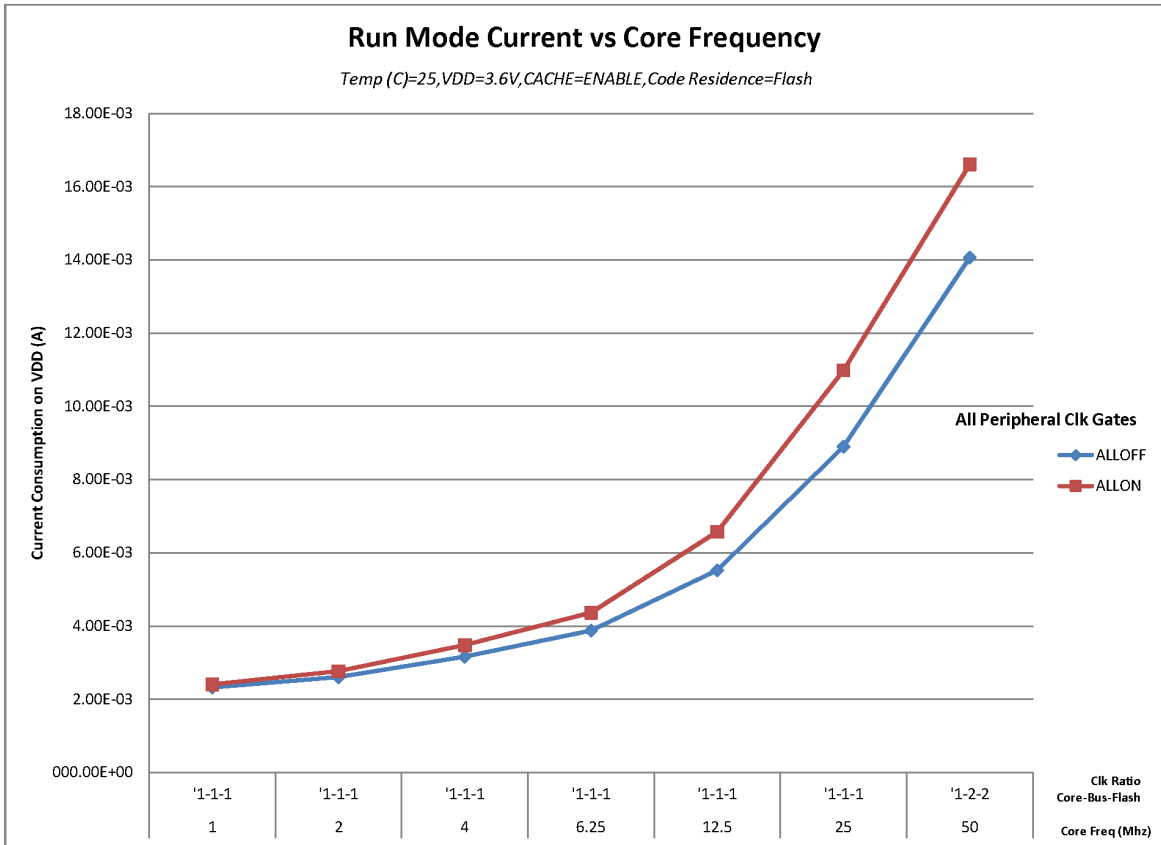
1. The analog supply current is the sum of the active or disabled current for each of the analog modules on the device. See each module's specification for its supply current.
2. 50MHz core and system clock, 25MHz bus clock, and 25MHz flash clock . MCG configured for FEI mode. All peripheral clocks disabled.
3. 50MHz core and system clock, 25MHz bus clock, and 25MHz flash clock. MCG configured for FEI mode. All peripheral clocks enabled, and peripherals are in active operation.
4. Max values are measured with CPU executing DSP instructions
5. 25MHz core and system clock, 25MHz bus clock, and 12.5MHz flash clock. MCG configured for FEI mode.
6. 4 MHz core, system, and bus clock and 1MHz flash clock. MCG configured for BLPE mode. All peripheral clocks disabled. Code executing from flash.
7. 4 MHz core, system, and bus clock and 1MHz flash clock. MCG configured for BLPE mode. All peripheral clocks enabled but peripherals are not in active operation. Code executing from flash.
8. 4 MHz core, system, and bus clock and 1MHz flash clock. MCG configured for BLPE mode. All peripheral clocks disabled.
9. Includes 32kHz oscillator current and RTC operation.

### 5.2.5.1 Diagram: Typical IDD\_RUN operating behavior

The following data was measured under these conditions:

- MCG in FBE mode
- No GPIOs toggled
- Code execution from flash with cache enabled
- For the ALLOFF curve, all peripheral clocks are disabled except FTFL





**Figure 2. Run mode supply current vs. core frequency**

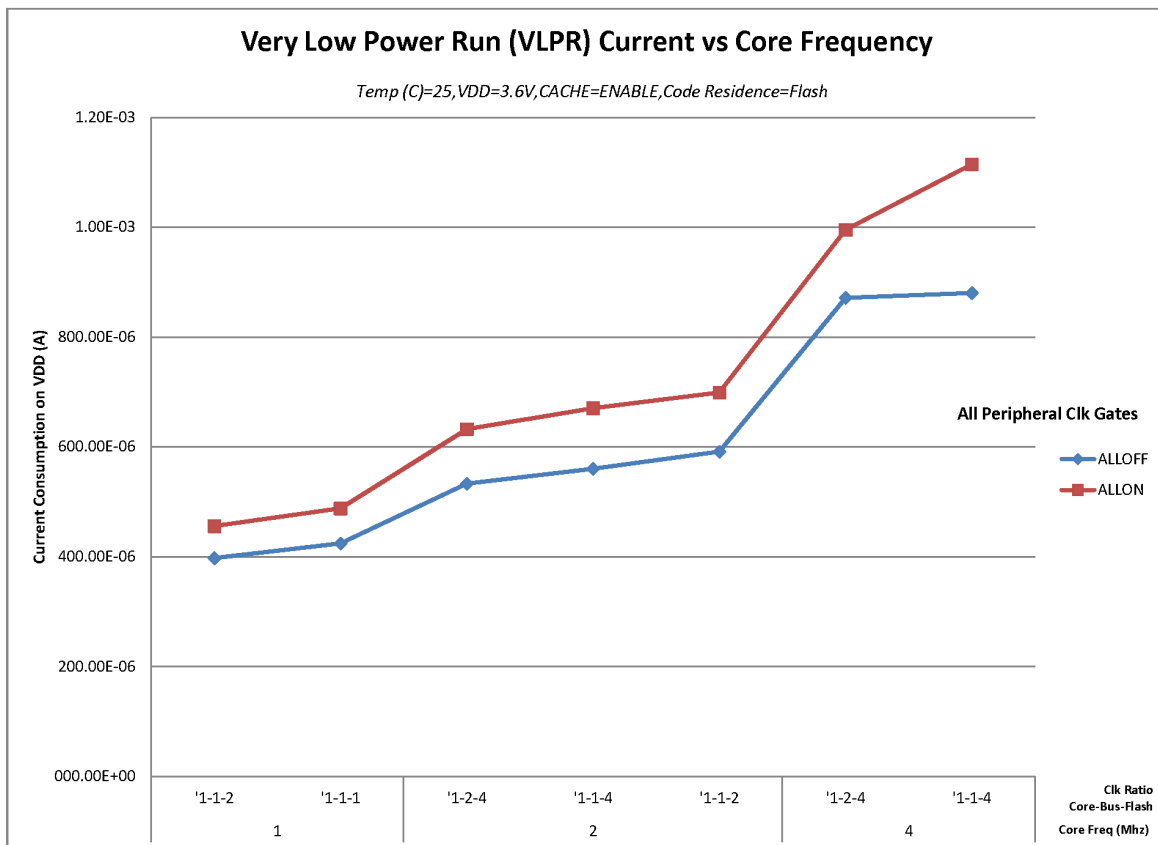


Figure 3. VLPR mode supply current vs. core frequency

### 5.2.6 EMC radiated emissions operating behaviors

Table 7. EMC radiated emissions operating behaviors for 64LQFP

| Symbol              | Description                        | Frequency band (MHz) | Typ. | Unit | Notes |
|---------------------|------------------------------------|----------------------|------|------|-------|
| V <sub>RE1</sub>    | Radiated emissions voltage, band 1 | 0.15–50              | 19   | dBμV | 1, 2  |
| V <sub>RE2</sub>    | Radiated emissions voltage, band 2 | 50–150               | 21   | dBμV |       |
| V <sub>RE3</sub>    | Radiated emissions voltage, band 3 | 150–500              | 19   | dBμV |       |
| V <sub>RE4</sub>    | Radiated emissions voltage, band 4 | 500–1000             | 11   | dBμV |       |
| V <sub>RE_IEC</sub> | IEC level                          | 0.15–1000            | L    | —    | 2, 3  |

1. Determined according to IEC Standard 61967-1, *Integrated Circuits - Measurement of Electromagnetic Emissions, 150 kHz to 1 GHz Part 1: General Conditions and Definitions* and IEC Standard 61967-2, *Integrated Circuits - Measurement of Electromagnetic Emissions, 150 kHz to 1 GHz Part 2: Measurement of Radiated Emissions—TEM Cell and Wideband TEM Cell Method*. Measurements were made while the microcontroller was running basic application code. The reported

emission level is the value of the maximum measured emission, rounded up to the next whole number, from among the measured orientations in each frequency range.

2.  $V_{DD} = 3.3\text{ V}$ ,  $T_A = 25\text{ }^\circ\text{C}$ ,  $f_{OSC} = 12\text{ MHz}$  (crystal),  $f_{SYS} = 48\text{ MHz}$ ,  $f_{BUS} = 48\text{ MHz}$
3. Specified according to Annex D of IEC Standard 61967-2, *Measurement of Radiated Emissions—TEM Cell and Wideband TEM Cell Method*

## 5.2.7 Designing with radiated emissions in mind

To find application notes that provide guidance on designing your system to minimize interference from radiated emissions:

1. Go to <http://www.freescale.com>.
2. Perform a keyword search for “EMC design.”

## 5.2.8 Capacitance attributes

Table 8. Capacitance attributes

| Symbol      | Description                     | Min. | Max. | Unit |
|-------------|---------------------------------|------|------|------|
| $C_{IN\_A}$ | Input capacitance: analog pins  | —    | 7    | pF   |
| $C_{IN\_D}$ | Input capacitance: digital pins | —    | 7    | pF   |

## 5.3 Switching specifications

### 5.3.1 Device clock specifications

Table 9. Device clock specifications

| Symbol                 | Description              | Min. | Max. | Unit | Notes |
|------------------------|--------------------------|------|------|------|-------|
| Normal run mode        |                          |      |      |      |       |
| $f_{SYS}$              | System and core clock    | —    | 50   | MHz  |       |
| $f_{BUS}$              | Bus clock                | —    | 50   | MHz  |       |
| $f_{FLASH}$            | Flash clock              | —    | 25   | MHz  |       |
| $f_{LPTMR}$            | LPTMR clock              | —    | 25   | MHz  |       |
| VLPR mode <sup>1</sup> |                          |      |      |      |       |
| $f_{SYS}$              | System and core clock    | —    | 4    | MHz  |       |
| $f_{BUS}$              | Bus clock                | —    | 4    | MHz  |       |
| $f_{FLASH}$            | Flash clock              | —    | 1    | MHz  |       |
| $f_{ERCLK}$            | External reference clock | —    | 16   | MHz  |       |

Table continues on the next page...

**Table 9. Device clock specifications (continued)**

| Symbol             | Description                    | Min. | Max. | Unit | Notes |
|--------------------|--------------------------------|------|------|------|-------|
| $f_{LPTMR\_pin}$   | LPTMR clock                    | —    | 25   | MHz  |       |
| $f_{LPTMR\_ERCLK}$ | LPTMR external reference clock | —    | 16   | MHz  |       |
| $f_{I2S\_MCLK}$    | I2S master clock               | —    | 12.5 | MHz  |       |
| $f_{I2S\_BCLK}$    | I2S bit clock                  | —    | 4    | MHz  |       |

1. The frequency limitations in VLPR mode here override any frequency specification listed in the timing specification for any other module.

### 5.3.2 General switching specifications

These general purpose specifications apply to all signals configured for GPIO, UART, CMT, and I<sup>2</sup>C signals.

**Table 10. General switching specifications**

| Symbol | Description   | Min. | Max. | Unit             | Notes |
|--------|---|------|------|------------------|-------|
|        | GPIO pin interrupt pulse width (digital glitch filter disabled) — Synchronous path  | 1.5  | —    | Bus clock cycles | 1, 2  |
|        | GPIO pin interrupt pulse width (digital glitch filter disabled, analog filter enabled) — Asynchronous path  | 100  | —    | ns               | 3     |
|        | GPIO pin interrupt pulse width (digital glitch filter disabled, analog filter disabled) — Asynchronous path   | 50   | —    | ns               | 3     |
|        | External reset pulse width (digital glitch filter disabled)   | 100  | —    | ns               | 3     |
|        | Mode select ( $\overline{EZP\_CS}$ ) hold time after reset deassertion  | 2    | —    | Bus clock cycles |       |
|        | Port rise and fall time (high drive strength) <ul style="list-style-type: none"> <li>• Slew disabled <ul style="list-style-type: none"> <li>• <math>1.71 \leq V_{DD} \leq 2.7V</math></li> <li>• <math>2.7 \leq V_{DD} \leq 3.6V</math></li> </ul> </li> <li>• Slew enabled <ul style="list-style-type: none"> <li>• <math>1.71 \leq V_{DD} \leq 2.7V</math></li> <li>• <math>2.7 \leq V_{DD} \leq 3.6V</math></li> </ul> </li> </ul> | —    | 13   | ns               | 4     |
|        |   | —    | 7    | ns               |       |
|        |   | —    | 36   | ns               |       |
|        |   | —    | 24   | ns               |       |

Table continues on the next page...

**Table 10. General switching specifications (continued)**

| Symbol | Description   | Min. | Max. | Unit | Notes |
|--------|---|------|------|------|-------|
|        | Port rise and fall time (low drive strength)  |      |      |      | 5     |
|        | <ul style="list-style-type: none"> <li>• Slew disabled <ul style="list-style-type: none"> <li>• <math>1.71 \leq V_{DD} \leq 2.7V</math></li> <li>• <math>2.7 \leq V_{DD} \leq 3.6V</math></li> </ul> </li> <li>• Slew enabled <ul style="list-style-type: none"> <li>• <math>1.71 \leq V_{DD} \leq 2.7V</math></li> <li>• <math>2.7 \leq V_{DD} \leq 3.6V</math></li> </ul> </li> </ul> | —    | 12   | ns   |       |
|        |   | —    | 6    | ns   |       |
|        |   | —    | 36   | ns   |       |
|        |   | —    | 24   | ns   |       |

1. This is the minimum pulse width that is guaranteed to pass through the pin synchronization circuitry. Shorter pulses may or may not be recognized. In Stop, VLPS, LLS, and VLLSx modes, the synchronizer is bypassed so shorter pulses can be recognized in that case.
2. The greater synchronous and asynchronous timing must be met.
3. This is the minimum pulse width that is guaranteed to be recognized as a pin interrupt request in Stop, VLPS, LLS, and VLLSx modes.
4. 75pF load
5. 15pF load

## 5.4 Thermal specifications

### 5.4.1 Thermal operating requirements

**Table 11. Thermal operating requirements**

| Symbol | Description              | Min. | Max. | Unit |
|--------|--------------------------|------|------|------|
| $T_J$  | Die junction temperature | -40  | 125  | °C   |
| $T_A$  | Ambient temperature      | -40  | 105  | °C   |

### 5.4.2 Thermal attributes

| Board type        | Symbol          | Description  | 64 MAPBGA | 64 LQFP | Unit | Notes |
|-------------------|-----------------|--|-----------|---------|------|-------|
| Single-layer (1s) | $R_{\theta JA}$ | Thermal resistance, junction to ambient (natural convection) | 107       | 65      | °C/W | 1, 2  |
| Four-layer (2s2p) | $R_{\theta JA}$ | Thermal resistance, junction to ambient (natural convection) | 56        | 46      | °C/W | 1, 3  |

Table continues on the next page...

## Peripheral operating requirements and behaviors

| Board type        | Symbol           | Description   | 64 MAPBGA | 64 LQFP | Unit | Notes |
|-------------------|------------------|---|-----------|---------|------|-------|
| Single-layer (1s) | $R_{\theta JMA}$ | Thermal resistance, junction to ambient (200 ft./min. air speed)                                | 90        | 53      | °C/W | 1,3   |
| Four-layer (2s2p) | $R_{\theta JMA}$ | Thermal resistance, junction to ambient (200 ft./min. air speed)                                | 51        | 40      | °C/W | ,     |
| —                 | $R_{\theta JB}$  | Thermal resistance, junction to board   | 31        | 28      | °C/W | 5     |
| —                 | $R_{\theta JC}$  | Thermal resistance, junction to case  | 31        | 15      | °C/W | 6     |
| —                 | $\Psi_{JT}$      | Thermal characterization parameter, junction to package top outside center (natural convection) | 6         | 3       | °C/W | 7     |

- Junction temperature is a function of die size, on-chip power dissipation, package thermal resistance, mounting site (board) temperature, ambient temperature, air flow, power dissipation of other components on the board, and board thermal resistance.
- Determined according to JEDEC Standard JESD51-2, *Integrated Circuits Thermal Test Method Environmental Conditions—Natural Convection (Still Air)* with the single layer board horizontal. For the LQFP, the board meets the JESD51-3 specification. For the MAPBGA, the board meets the JESD51-9 specification.
- Determined according to JEDEC Standard JESD51-6, *Integrated Circuits Thermal Test Method Environmental Conditions—Forced Convection (Moving Air)* with the board horizontal.
- Determined according to JEDEC Standard JESD51-8, *Integrated Circuit Thermal Test Method Environmental Conditions—Junction-to-Board*. Board temperature is measured on the top surface of the board near the package.
- Determined according to Method 1012.1 of MIL-STD 883, *Test Method Standard, Microcircuits*, with the cold plate temperature used for the case temperature. The value includes the thermal resistance of the interface material between the top of the package and the cold plate.
- Determined according to JEDEC Standard JESD51-2, *Integrated Circuits Thermal Test Method Environmental Conditions—Natural Convection (Still Air)*.

## 6 Peripheral operating requirements and behaviors

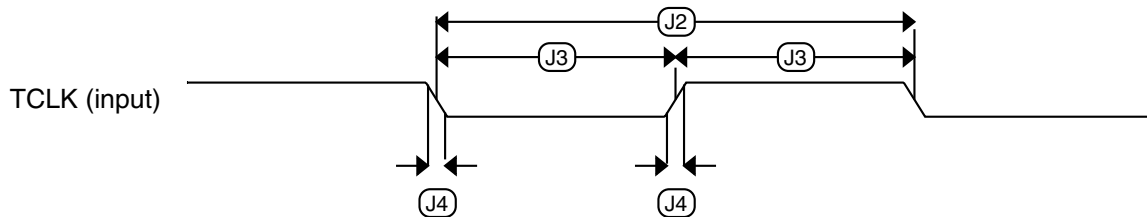
### 6.1 Core modules

## 6.1.1 JTAG electricals

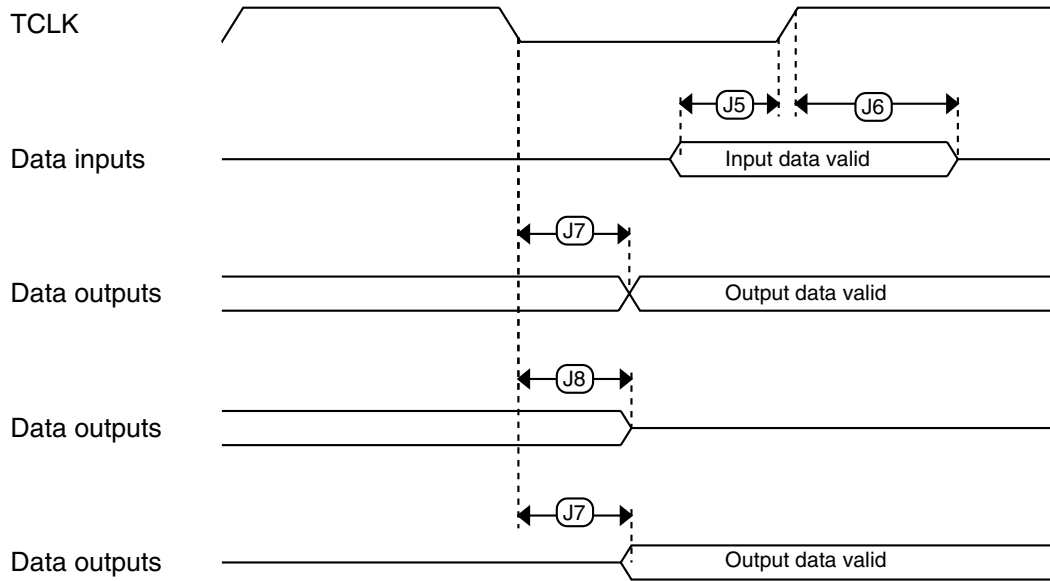
**Table 12. JTAG voltage range electricals**

| Symbol | Description  | Min.       | Max.     | Unit           |
|--------|--|------------|----------|----------------|
|        | Operating voltage  | 2.7        | 5.5      | V              |
| J1     | TCLK frequency of operation <ul style="list-style-type: none"> <li>• JTAG</li> <li>• CJTAG</li> </ul>              | —          | 10<br>5  | MHz            |
| J2     | TCLK cycle period  | 1/J1       | —        | ns             |
| J3     | TCLK clock pulse width <ul style="list-style-type: none"> <li>• JTAG</li> <li>• CJTAG</li> </ul>                   | 100<br>200 | —<br>—   | ns<br>ns<br>ns |
| J4     | TCLK rise and fall times   | —          | 1        | ns             |
| J5     | TMS input data setup time to TCLK rise <ul style="list-style-type: none"> <li>• JTAG</li> <li>• CJTAG</li> </ul>   | 53<br>112  | —<br>—   | ns             |
| J6     | TDI input data setup time to TCLK rise   | 8          | —        | ns             |
| J7     | TMS input data hold time after TCLK rise <ul style="list-style-type: none"> <li>• JTAG</li> <li>• CJTAG</li> </ul> | 3.4<br>3.4 | —<br>—   | ns             |
| J8     | TDI input data hold time after TCLK rise   | 3.4        | —        | ns             |
| J9     | TCLK low to TMS data valid <ul style="list-style-type: none"> <li>• JTAG</li> <li>• CJTAG</li> </ul>               | —<br>—     | 48<br>85 | ns             |
| J10    | TCLK low to TDO data valid   | —          | 48       | ns             |
| J11    | Output data hold/invalid time after clock edge <sup>1</sup>  | —          | 3        | ns             |

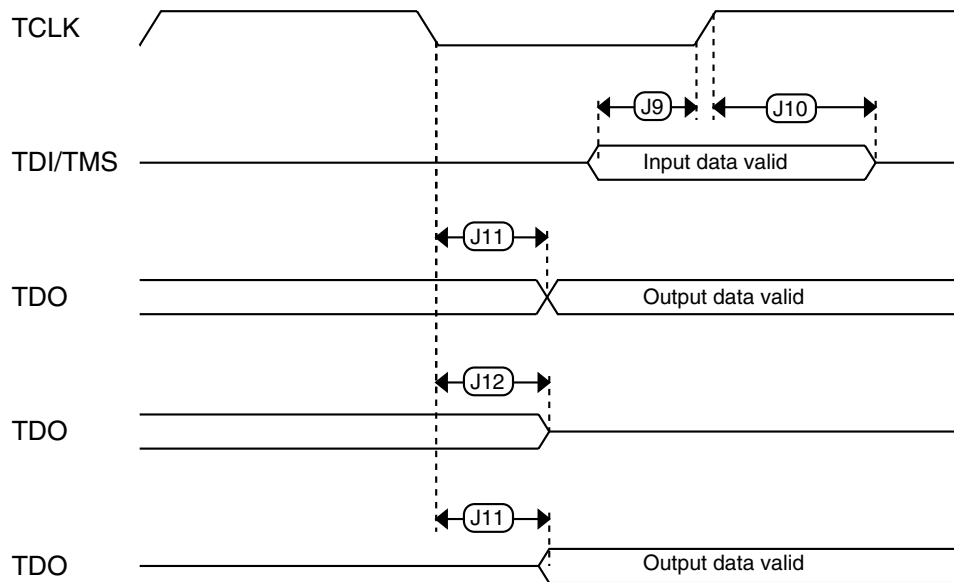
1. They are common for JTAG and CJTAG. Input transition = 1 ns and Output load = 50pf



**Figure 4. Test clock input timing**



**Figure 5. Boundary scan (JTAG) timing**



**Figure 6. Test Access Port timing**



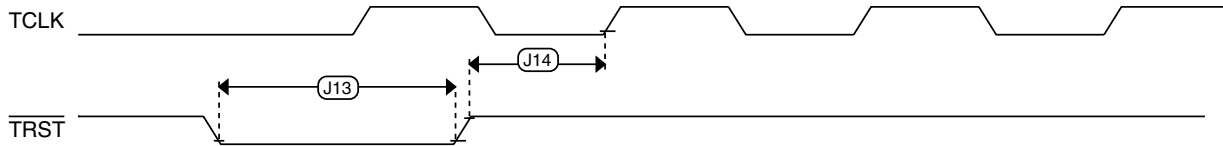


Figure 7. TRST timing

## 6.2 System modules

There are no specifications necessary for the device's system modules.

## 6.3 Clock modules

### 6.3.1 MCG specifications

Table 13. MCG specifications

| Symbol                          | Description  | Min.                               | Typ.      | Max.      | Unit               | Notes |
|---------------------------------|--|------------------------------------|-----------|-----------|--------------------|-------|
| $f_{\text{ints\_ft}}$           | Internal reference frequency (slow clock) — factory trimmed at nominal VDD and 25 °C                           | —                                  | 32.768    | —         | kHz                |       |
| $f_{\text{ints\_t}}$            | Internal reference frequency (slow clock) — user trimmed   | 31.25                              | —         | 39.0625   | kHz                |       |
| $\Delta f_{\text{dco\_res\_t}}$ | Resolution of trimmed average DCO output frequency at fixed voltage and temperature — using SCTRIM and SCFTRIM | —                                  | $\pm 0.3$ | $\pm 0.6$ | % $f_{\text{dco}}$ | 1     |
| $\Delta f_{\text{dco\_t}}$      | Total deviation of trimmed average DCO output frequency over voltage and temperature                           | —                                  | +0.5/-0.7 | $\pm 3$   | % $f_{\text{dco}}$ | 1     |
| $\Delta f_{\text{dco\_t}}$      | Total deviation of trimmed average DCO output frequency over fixed voltage and temperature range of 0–70°C     | —                                  | $\pm 0.3$ | —         | % $f_{\text{dco}}$ | 1     |
| $f_{\text{intf\_ft}}$           | Internal reference frequency (fast clock) — factory trimmed at nominal VDD and 25°C                            | —                                  | 4         | —         | MHz                |       |
| $f_{\text{intf\_t}}$            | Internal reference frequency (fast clock) — user trimmed at nominal VDD and 25 °C                              | 3                                  | —         | 5         | MHz                |       |
| $f_{\text{loc\_low}}$           | Loss of external clock minimum frequency — RANGE = 00  | $(3/5) \times f_{\text{ints\_t}}$  | —         | —         | kHz                |       |
| $f_{\text{loc\_high}}$          | Loss of external clock minimum frequency — RANGE = 01, 10, or 11   | $(16/5) \times f_{\text{ints\_t}}$ | —         | —         | kHz                |       |
| FLL                             |  |                                    |           |           |                    |       |

Table continues on the next page...

**Table 13. MCG specifications (continued)**

| Symbol                     | Description   | Min.  | Typ. | Max.    | Unit          | Notes |      |
|----------------------------|---|---|------|---------|---------------|-------|------|
| $f_{\text{fill\_ref}}$     | FLL reference frequency range   | 31.25   | —    | 39.0625 | kHz           |       |      |
| $f_{\text{dco}}$           | DCO output frequency range  | Low range (DRS=00)<br>$640 \times f_{\text{fill\_ref}}$       | 20   | 20.97   | 25            | MHz   | 2, 3 |
|                            |   | Mid range (DRS=01)<br>$1280 \times f_{\text{fill\_ref}}$      | 40   | 41.94   | 50            | MHz   |      |
|                            |   | Mid-high range (DRS=10)<br>$1920 \times f_{\text{fill\_ref}}$ | 60   | 62.91   | 75            | MHz   |      |
|                            |   | High range (DRS=11)<br>$2560 \times f_{\text{fill\_ref}}$     | 80   | 83.89   | 100           | MHz   |      |
| $f_{\text{dco\_t\_DMX3}2}$ | DCO output frequency  | Low range (DRS=00)<br>$732 \times f_{\text{fill\_ref}}$       | —    | 23.99   | —             | MHz   | 4, 5 |
|                            |   | Mid range (DRS=01)<br>$1464 \times f_{\text{fill\_ref}}$      | —    | 47.97   | —             | MHz   |      |
|                            |   | Mid-high range (DRS=10)<br>$2197 \times f_{\text{fill\_ref}}$ | —    | 71.99   | —             | MHz   |      |
|                            |   | High range (DRS=11)<br>$2929 \times f_{\text{fill\_ref}}$     | —    | 95.98   | —             | MHz   |      |
| $J_{\text{cyc\_fll}}$      | FLL period jitter <ul style="list-style-type: none"> <li><math>f_{\text{VCO}} = 48</math> MHz</li> <li><math>f_{\text{VCO}} = 98</math> MHz</li> </ul>  | —   | 180  | —       | ps            |       |      |
|                            |   | —   | 150  | —       |               |       |      |
| $t_{\text{fill\_acquire}}$ | FLL target frequency acquisition time   | —   | —    | 1       | ms            | 6     |      |
| PLL                        |   |   |      |         |               |       |      |
| $f_{\text{vco}}$           | VCO operating frequency   | 48.0  | —    | 100     | MHz           |       |      |
| $I_{\text{pll}}$           | PLL operating current <ul style="list-style-type: none"> <li>PLL @ 96 MHz (<math>f_{\text{osc\_hi\_1}} = 8</math> MHz, <math>f_{\text{pll\_ref}} = 2</math> MHz, VDIV multiplier = 48)</li> </ul> | —   | 1060 | —       | $\mu\text{A}$ | 7     |      |
|                            |   | —   | 600  | —       | $\mu\text{A}$ |       |      |
| $I_{\text{pll}}$           | PLL operating current <ul style="list-style-type: none"> <li>PLL @ 48 MHz (<math>f_{\text{osc\_hi\_1}} = 8</math> MHz, <math>f_{\text{pll\_ref}} = 2</math> MHz, VDIV multiplier = 24)</li> </ul> | —   | 600  | —       | $\mu\text{A}$ | 7     |      |
| $f_{\text{pll\_ref}}$      | PLL reference frequency range   | 2.0   | —    | 4.0     | MHz           |       |      |
| $J_{\text{cyc\_pll}}$      | PLL period jitter (RMS) <ul style="list-style-type: none"> <li><math>f_{\text{vco}} = 48</math> MHz</li> <li><math>f_{\text{vco}} = 100</math> MHz</li> </ul>                                     | —   | 120  | —       | ps            | 8     |      |
|                            |   | —   | 50   | —       | ps            |       |      |

Table continues on the next page...

**Table 13. MCG specifications (continued)**

| Symbol                 | Description   | Min.       | Typ. | Max.   | Unit | Notes |
|------------------------|---|------------|------|--|------|-------|
| $J_{\text{acc\_pll}}$  | PLL accumulated jitter over 1 $\mu\text{s}$ (RMS) <ul style="list-style-type: none"> <li><math>f_{\text{vco}} = 48 \text{ MHz}</math></li> <li><math>f_{\text{vco}} = 100 \text{ MHz}</math></li> </ul> | —          | 1350 | —  | ps   | 8     |
|                        |   | —          | 600  | —  | ps   |       |
| $D_{\text{lock}}$      | Lock entry frequency tolerance  | $\pm 1.49$ | —    | $\pm 2.98$   | %    |       |
| $D_{\text{unl}}$       | Lock exit frequency tolerance   | $\pm 4.47$ | —    | $\pm 5.97$   | %    |       |
| $t_{\text{pll\_lock}}$ | Lock detector detection time  | —          | —    | $150 \times 10^{-6} + 1075(1/f_{\text{pll\_ref}})$ | s    | 9     |

1. This parameter is measured with the internal reference (slow clock) being used as a reference to the FLL (FEI clock mode).
2. These typical values listed are with the slow internal reference clock (FEI) using factory trim and DMX32=0.
3. The resulting system clock frequencies should not exceed their maximum specified values. The DCO frequency deviation ( $\Delta f_{\text{dco}_t}$ ) over voltage and temperature should be considered.
4. These typical values listed are with the slow internal reference clock (FEI) using factory trim and DMX32=1.
5. The resulting clock frequency must not exceed the maximum specified clock frequency of the device.
6. This specification applies to any time the FLL reference source or reference divider is changed, trim value is changed, DMX32 bit is changed, DRS bits are changed, or changing from FLL disabled (BLPE, BLPI) to FLL enabled (FEI, FEE, FBE, FBI). If a crystal/resonator is being used as the reference, this specification assumes it is already running.
7. Excludes any oscillator currents that are also consuming power while PLL is in operation.
8. This specification was obtained using a Freescale developed PCB. PLL jitter is dependent on the noise characteristics of each PCB and results will vary.
9. This specification applies to any time the PLL VCO divider or reference divider is changed, or changing from PLL disabled (BLPE, BLPI) to PLL enabled (PBE, PEE). If a crystal/resonator is being used as the reference, this specification assumes it is already running.

## 6.3.2 Oscillator electrical specifications

This section provides the electrical characteristics of the module.

### 6.3.2.1 Oscillator DC electrical specifications

**Table 14. Oscillator DC electrical specifications**

| Symbol             | Description   | Min. | Typ. | Max. | Unit          | Notes |
|--------------------|---|------|------|------|---------------|-------|
| $V_{\text{DD}}$    | Supply voltage  | 1.71 | —    | 3.6  | V             |       |
| $I_{\text{DDOSC}}$ | Supply current — low-power mode (HGO=0) <ul style="list-style-type: none"> <li>32 kHz</li> <li>4 MHz</li> <li>8 MHz (RANGE=01)</li> <li>16 MHz</li> <li>24 MHz</li> <li>32 MHz</li> </ul> | —    | 500  | —    | nA            | 1     |
|                    |   | —    | 200  | —    | $\mu\text{A}$ |       |
|                    |   | —    | 300  | —    | $\mu\text{A}$ |       |
|                    |   | —    | 950  | —    | $\mu\text{A}$ |       |
|                    |   | —    | 1.2  | —    | mA            |       |
|                    |   | —    | 1.5  | —    | mA            |       |

Table continues on the next page...

**Table 14. Oscillator DC electrical specifications (continued)**

| Symbol                       | Description  | Min. | Typ.            | Max. | Unit | Notes |
|------------------------------|--|------|-----------------|------|------|-------|
| I <sub>DDOSC</sub>           | Supply current — high gain mode (HGO=1)  |      |                 |      |      | 1     |
|                              | • 32 kHz   | —    | 25              | —    | μA   |       |
|                              | • 4 MHz  | —    | 400             | —    | μA   |       |
|                              | • 8 MHz (RANGE=01)   | —    | 500             | —    | μA   |       |
|                              | • 16 MHz   | —    | 2.5             | —    | mA   |       |
|                              | • 24 MHz   | —    | 3               | —    | mA   |       |
| • 32 MHz                     | —  | 4    | —               | mA   |      |       |
| C <sub>x</sub>               | EXTAL load capacitance   | —    | —               | —    |      | 2, 3  |
| C <sub>y</sub>               | XTAL load capacitance  | —    | —               | —    |      | 2, 3  |
| R <sub>F</sub>               | Feedback resistor — low-frequency, low-power mode (HGO=0)  | —    | —               | —    | MΩ   | 2, 4  |
|                              | Feedback resistor — low-frequency, high-gain mode (HGO=1)  | —    | 10              | —    | MΩ   |       |
|                              | Feedback resistor — high-frequency, low-power mode (HGO=0)                                       | —    | —               | —    | MΩ   |       |
|                              | Feedback resistor — high-frequency, high-gain mode (HGO=1)                                       | —    | 1               | —    | MΩ   |       |
| R <sub>S</sub>               | Series resistor — low-frequency, low-power mode (HGO=0)  | —    | —               | —    | kΩ   |       |
|                              | Series resistor — low-frequency, high-gain mode (HGO=1)  | —    | 200             | —    | kΩ   |       |
|                              | Series resistor — high-frequency, low-power mode (HGO=0)   | —    | —               | —    | kΩ   |       |
|                              | Series resistor — high-frequency, high-gain mode (HGO=1)   | —    | 0               | —    | kΩ   |       |
| V <sub>pp</sub> <sup>5</sup> | Peak-to-peak amplitude of oscillation (oscillator mode) — low-frequency, low-power mode (HGO=0)  | —    | 0.6             | —    | V    |       |
|                              | Peak-to-peak amplitude of oscillation (oscillator mode) — low-frequency, high-gain mode (HGO=1)  | —    | V <sub>DD</sub> | —    | V    |       |
|                              | Peak-to-peak amplitude of oscillation (oscillator mode) — high-frequency, low-power mode (HGO=0) | —    | 0.6             | —    | V    |       |
|                              | Peak-to-peak amplitude of oscillation (oscillator mode) — high-frequency, high-gain mode (HGO=1) | —    | V <sub>DD</sub> | —    | V    |       |

1. V<sub>DD</sub>=3.3 V, Temperature =25 °C
2. See crystal or resonator manufacturer's recommendation
3. C<sub>x</sub>,C<sub>y</sub> can be provided by using either the integrated capacitors or by using external components.
4. When low power mode is selected, R<sub>F</sub> is integrated and must not be attached externally.

5. The EXTAL and XTAL pins should only be connected to required oscillator components and must not be connected to any other devices.

### 6.3.2.2 Oscillator frequency specifications

**Table 15. Oscillator frequency specifications**

| Symbol           | Description   | Min. | Typ. | Max. | Unit | Notes |
|------------------|---|------|------|------|------|-------|
| $f_{osc\_lo}$    | Oscillator crystal or resonator frequency — low frequency mode (MCG_C2[RANGE]=00)               | 32   | —    | 40   | kHz  |       |
| $f_{osc\_hi\_1}$ | Oscillator crystal or resonator frequency — high frequency mode (low range) (MCG_C2[RANGE]=01)  | 3    | —    | 8    | MHz  |       |
| $f_{osc\_hi\_2}$ | Oscillator crystal or resonator frequency — high frequency mode (high range) (MCG_C2[RANGE]=1x) | 8    | —    | 32   | MHz  |       |
| $f_{ec\_extal}$  | Input clock frequency (external clock mode)   | —    | —    | 50   | MHz  | 1, 2  |
| $t_{dc\_extal}$  | Input clock duty cycle (external clock mode)  | 40   | 50   | 60   | %    |       |
| $t_{cst}$        | Crystal startup time — 32 kHz low-frequency, low-power mode (HGO=0)                             | —    | 750  | —    | ms   | 3, 4  |
|                  | Crystal startup time — 32 kHz low-frequency, high-gain mode (HGO=1)                             | —    | 250  | —    | ms   |       |
|                  | Crystal startup time — 8 MHz high-frequency (MCG_C2[RANGE]=01), low-power mode (HGO=0)          | —    | 0.6  | —    | ms   |       |
|                  | Crystal startup time — 8 MHz high-frequency (MCG_C2[RANGE]=01), high-gain mode (HGO=1)          | —    | 1    | —    | ms   |       |

- Other frequency limits may apply when external clock is being used as a reference for the FLL or PLL.
- When transitioning from FBE to FEI mode, restrict the frequency of the input clock so that, when it is divided by FRDIV, it remains within the limits of the DCO input clock frequency.
- Proper PC board layout procedures must be followed to achieve specifications.
- Crystal startup time is defined as the time between the oscillator being enabled and the OSCINIT bit in the MCG\_S register being set.

### 6.3.3 32 kHz Oscillator Electrical Characteristics

This section describes the module electrical characteristics.

#### 6.3.3.1 32 kHz oscillator DC electrical specifications

**Table 16. 32kHz oscillator DC electrical specifications**

| Symbol    | Description                | Min. | Typ. | Max. | Unit |
|-----------|----------------------------|------|------|------|------|
| $V_{BAT}$ | Supply voltage             | 1.71 | —    | 3.6  | V    |
| $R_F$     | Internal feedback resistor | —    | 100  | —    | MΩ   |

*Table continues on the next page...*

**Table 16. 32kHz oscillator DC electrical specifications (continued)**

| Symbol     | Description                                   | Min. | Typ. | Max. | Unit |
|------------|---|------|------|------|------|
| $C_{para}$ | Parasitical capacitance of EXTAL32 and XTAL32 | —    | 5    | 7    | pF   |
| $V_{pp}^1$ | Peak-to-peak amplitude of oscillation         | —    | 0.6  | —    | V    |

1. When a crystal is being used with the 32 kHz oscillator, the EXTAL32 and XTAL32 pins should only be connected to required oscillator components and must not be connected to any other devices.

### 6.3.3.2 32kHz oscillator frequency specifications

**Table 17. 32kHz oscillator frequency specifications**

| Symbol            | Description                               | Min. | Typ.   | Max.      | Unit | Notes |
|-------------------|---|------|--------|-----------|------|-------|
| $f_{osc\_lo}$     | Oscillator crystal                        | —    | 32.768 | —         | kHz  |       |
| $t_{start}$       | Crystal start-up time                     | —    | 1000   | —         | ms   | 1     |
| $f_{ec\_extal32}$ | Externally provided input clock frequency | —    | 32.768 | —         | kHz  | 2     |
| $V_{ec\_extal32}$ | Externally provided input clock amplitude | 700  | —      | $V_{BAT}$ | mV   | 2, 3  |

1. Proper PC board layout procedures must be followed to achieve specifications.
2. This specification is for an externally supplied clock driven to EXTAL32 and does not apply to any other clock input. The oscillator remains enabled and XTAL32 must be left unconnected.
3. The parameter specified is a peak-to-peak value and  $V_{IH}$  and  $V_{IL}$  specifications do not apply. The voltage of the applied clock must be within the range of  $V_{SS}$  to  $V_{BAT}$ .

## 6.4 Memories and memory interfaces

### 6.4.1 Flash electrical specifications

This section describes the electrical characteristics of the flash memory module.

#### 6.4.1.1 Flash timing specifications — program and erase

The following specifications represent the amount of time the internal charge pumps are active and do not include command overhead.

**Table 18. NVM program/erase timing specifications**

| Symbol             | Description                              | Min. | Typ. | Max. | Unit    | Notes |
|--------------------|--|------|------|------|---------|-------|
| $t_{hvp gm4}$      | Longword Program high-voltage time       | —    | 7.5  | 18   | $\mu$ s |       |
| $t_{hversscr}$     | Sector Erase high-voltage time           | —    | 13   | 113  | ms      | 1     |
| $t_{hversblk32k}$  | Erase Block high-voltage time for 32 KB  | —    | 52   | 452  | ms      | 1     |
| $t_{hversblk128k}$ | Erase Block high-voltage time for 128 KB | —    | 52   | 452  | ms      | 1     |

1. Maximum time based on expectations at cycling end-of-life.

## 6.4.1.2 Flash timing specifications — commands

Table 19. Flash command timing specifications

| Symbol                                     | Description   | Min. | Typ. | Max. | Unit    | Notes |
|--|---|------|------|------|---------|-------|
| $t_{rd1blk32k}$                            | Read 1s Block execution time  | —    | —    | 0.5  | ms      |       |
| $t_{rd1blk128k}$                           | <ul style="list-style-type: none"> <li>32 KB data flash</li> <li>128 KB program flash</li> </ul>  | —    | —    | 1.7  | ms      |       |
| $t_{rd1sec1k}$                             | Read 1s Section execution time (flash sector)   | —    | —    | 60   | $\mu$ s | 1     |
| $t_{pgmchk}$                               | Program Check execution time  | —    | —    | 45   | $\mu$ s | 1     |
| $t_{rdsrc}$                                | Read Resource execution time  | —    | —    | 30   | $\mu$ s | 1     |
| $t_{pgm4}$                                 | Program Longword execution time   | —    | 65   | 145  | $\mu$ s |       |
| $t_{ersblk32k}$                            | Erase Flash Block execution time  | —    | 55   | 465  | ms      | 2     |
| $t_{ersblk128k}$                           | <ul style="list-style-type: none"> <li>32 KB data flash</li> <li>128 KB program flash</li> </ul>  | —    | 61   | 495  | ms      |       |
| $t_{ersscr}$                               | Erase Flash Sector execution time   | —    | 14   | 114  | ms      | 2     |
| $t_{pgmsec512}$                            | Program Section execution time  | —    | 4.7  | —    | ms      |       |
| $t_{pgmsec1k}$                             | <ul style="list-style-type: none"> <li>512 B flash</li> <li>1 KB flash</li> </ul>                 | —    | 9.3  | —    | ms      |       |
| $t_{rd1all}$                               | Read 1s All Blocks execution time   | —    | —    | 1.8  | ms      |       |
| $t_{rdonce}$                               | Read Once execution time  | —    | —    | 25   | $\mu$ s | 1     |
| $t_{pgmonce}$                              | Program Once execution time   | —    | 65   | —    | $\mu$ s |       |
| $t_{ersall}$                               | Erase All Blocks execution time   | —    | 115  | 1000 | ms      | 2     |
| $t_{vfykey}$                               | Verify Backdoor Access Key execution time   | —    | —    | 30   | $\mu$ s | 1     |
| $t_{pgmpart32k}$                           | Program Partition for EEPROM execution time   | —    | 70   | —    | ms      |       |
| $t_{setramff}$                             | Set FlexRAM Function execution time:  | —    | 50   | —    | $\mu$ s |       |
| $t_{setram8k}$                             | <ul style="list-style-type: none"> <li>Control Code 0xFF</li> <li>8 KB EEPROM backup</li> </ul>   | —    | 0.3  | 0.5  | ms      |       |
| $t_{setram32k}$                            | <ul style="list-style-type: none"> <li>32 KB EEPROM backup</li> </ul>                             | —    | 0.7  | 1.0  | ms      |       |
| Byte-write to FlexRAM for EEPROM operation |   |      |      |      |         |       |
| $t_{eewr8bers}$                            | Byte-write to erased FlexRAM location execution time  | —    | 175  | 260  | $\mu$ s | 3     |
| $t_{eewr8b8k}$                             | Byte-write to FlexRAM execution time:   | —    | 340  | 1700 | $\mu$ s |       |
| $t_{eewr8b16k}$                            | <ul style="list-style-type: none"> <li>8 KB EEPROM backup</li> <li>16 KB EEPROM backup</li> </ul> | —    | 385  | 1800 | $\mu$ s |       |
| $t_{eewr8b32k}$                            | <ul style="list-style-type: none"> <li>32 KB EEPROM backup</li> </ul>                             | —    | 475  | 2000 | $\mu$ s |       |

Table continues on the next page...

**Table 19. Flash command timing specifications (continued)**

| Symbol   | Description   | Min. | Typ. | Max. | Unit          | Notes |
|--|---|------|------|------|---------------|-------|
| Word-write to FlexRAM for EEPROM operation     |   |      |      |      |               |       |
| $t_{\text{eewr16bers}}$                        | Word-write to erased FlexRAM location execution time  | —    | 175  | 260  | $\mu\text{s}$ |       |
| $t_{\text{eewr16b8k}}$                         | Word-write to FlexRAM execution time:<br><ul style="list-style-type: none"> <li>• 8 KB EEPROM backup</li> <li>• 16 KB EEPROM backup</li> <li>• 32 KB EEPROM backup</li> </ul>     | —    | 340  | 1700 | $\mu\text{s}$ |       |
| $t_{\text{eewr16b16k}}$                        |   | —    | 385  | 1800 | $\mu\text{s}$ |       |
| $t_{\text{eewr16b32k}}$                        |   | —    | 475  | 2000 | $\mu\text{s}$ |       |
| Longword-write to FlexRAM for EEPROM operation |   |      |      |      |               |       |
| $t_{\text{eewr32bers}}$                        | Longword-write to erased FlexRAM location execution time  | —    | 360  | 540  | $\mu\text{s}$ |       |
| $t_{\text{eewr32b8k}}$                         | Longword-write to FlexRAM execution time:<br><ul style="list-style-type: none"> <li>• 8 KB EEPROM backup</li> <li>• 16 KB EEPROM backup</li> <li>• 32 KB EEPROM backup</li> </ul> | —    | 545  | 1950 | $\mu\text{s}$ |       |
| $t_{\text{eewr32b16k}}$                        |   | —    | 630  | 2050 | $\mu\text{s}$ |       |
| $t_{\text{eewr32b32k}}$                        |   | —    | 810  | 2250 | $\mu\text{s}$ |       |

1. Assumes 25MHz flash clock frequency.
2. Maximum times for erase parameters based on expectations at cycling end-of-life.
3. For byte-writes to an erased FlexRAM location, the aligned word containing the byte must be erased.

### 6.4.1.3 Flash high voltage current behaviors

**Table 20. Flash high voltage current behaviors**

| Symbol               | Description   | Min. | Typ. | Max. | Unit |
|----------------------|---|------|------|------|------|
| $I_{\text{DD\_PGM}}$ | Average current adder during high voltage flash programming operation | —    | 2.5  | 6.0  | mA   |
| $I_{\text{DD\_ERS}}$ | Average current adder during high voltage flash erase operation       | —    | 1.5  | 4.0  | mA   |

### 6.4.1.4 Reliability specifications

**Table 21. NVM reliability specifications**

| Symbol                   | Description                            | Min. | Typ. <sup>1</sup> | Max. | Unit   | Notes |
|--------------------------|--|------|-------------------|------|--------|-------|
| Program Flash            |  |      |                   |      |        |       |
| $t_{\text{nv mretp10k}}$ | Data retention after up to 10 K cycles | 5    | 50                | —    | years  |       |
| $t_{\text{nv mretp1k}}$  | Data retention after up to 1 K cycles  | 20   | 100               | —    | years  |       |
| $n_{\text{nv mcycp}}$    | Cycling endurance                      | 10 K | 50 K              | —    | cycles | 2     |
| Data Flash               |  |      |                   |      |        |       |
| $t_{\text{nv mretd10k}}$ | Data retention after up to 10 K cycles | 5    | 50                | —    | years  |       |

Table continues on the next page...



**Table 21. NVM reliability specifications (continued)**

| Symbol            | Description                                  | Min.   | Typ. <sup>1</sup> | Max. | Unit   | Notes |
|-------------------|--|--------|-------------------|------|--------|-------|
| $t_{nvmretd1k}$   | Data retention after up to 1 K cycles        | 20     | 100               | —    | years  |       |
| $n_{nvmcygd}$     | Cycling endurance                            | 10 K   | 50 K              | —    | cycles | 2     |
| FlexRAM as EEPROM |  |        |                   |      |        |       |
| $t_{nvmretee100}$ | Data retention up to 100% of write endurance | 5      | 50                | —    | years  |       |
| $t_{nvmretee10}$  | Data retention up to 10% of write endurance  | 20     | 100               | —    | years  |       |
|                   | Write endurance                              |        |                   |      |        | 3     |
| $n_{nvmwree16}$   | • EEPROM backup to FlexRAM ratio = 16        | 35 K   | 175 K             | —    | writes |       |
| $n_{nvmwree128}$  | • EEPROM backup to FlexRAM ratio = 128       | 315 K  | 1.6 M             | —    | writes |       |
| $n_{nvmwree512}$  | • EEPROM backup to FlexRAM ratio = 512       | 1.27 M | 6.4 M             | —    | writes |       |
| $n_{nvmwree4k}$   | • EEPROM backup to FlexRAM ratio = 4096      | 10 M   | 50 M              | —    | writes |       |
| $n_{nvmwree8k}$   | • EEPROM backup to FlexRAM ratio = 8192      | 20 M   | 100 M             | —    | writes |       |

1. Typical data retention values are based on measured response accelerated at high temperature and derated to a constant 25°C use profile. Engineering Bulletin EB618 does not apply to this technology. Typical endurance defined in Engineering Bulletin EB619.
2. Cycling endurance represents number of program/erase cycles at  $-40^{\circ}\text{C} \leq T_j \leq 125^{\circ}\text{C}$ .
3. Write endurance represents the number of writes to each FlexRAM location at  $-40^{\circ}\text{C} \leq T_j \leq 125^{\circ}\text{C}$  influenced by the cycling endurance of the FlexNVM (same value as data flash) and the allocated EEPROM backup. Minimum and typical values assume all byte-writes to FlexRAM.

### 6.4.1.5 Write endurance to FlexRAM for EEPROM

When the FlexNVM partition code is not set to full data flash, the EEPROM data set size can be set to any of several non-zero values.

The bytes not assigned to data flash via the FlexNVM partition code are used by the flash memory module to obtain an effective endurance increase for the EEPROM data. The built-in EEPROM record management system raises the number of program/erase cycles that can be attained prior to device wear-out by cycling the EEPROM data through a larger EEPROM NVM storage space.

While different partitions of the FlexNVM are available, the intention is that a single choice for the FlexNVM partition code and EEPROM data set size is used throughout the entire lifetime of a given application. The EEPROM endurance equation and graph shown below assume that only one configuration is ever used.

$$\text{Writes\_FlexRAM} = \frac{\text{EEPROM} - 2 \times \text{EEESIZE}}{\text{EEESIZE}} \times \text{Write\_efficiency} \times n_{nvmcygd}$$

where

- Writes\_FlexRAM — minimum number of writes to each FlexRAM location

Peripheral operating requirements and behaviors

- EEPROM — allocated FlexNVM based on DEPART; entered with the Program Partition command
- EEESIZE — allocated FlexRAM based on DEPART; entered with the Program Partition command
- Write\_efficiency —
  - 0.25 for 8-bit writes to FlexRAM
  - 0.50 for 16-bit or 32-bit writes to FlexRAM
- $n_{nvmcycd}$  — data flash cycling endurance (the following graph assumes 10,000 cycles)

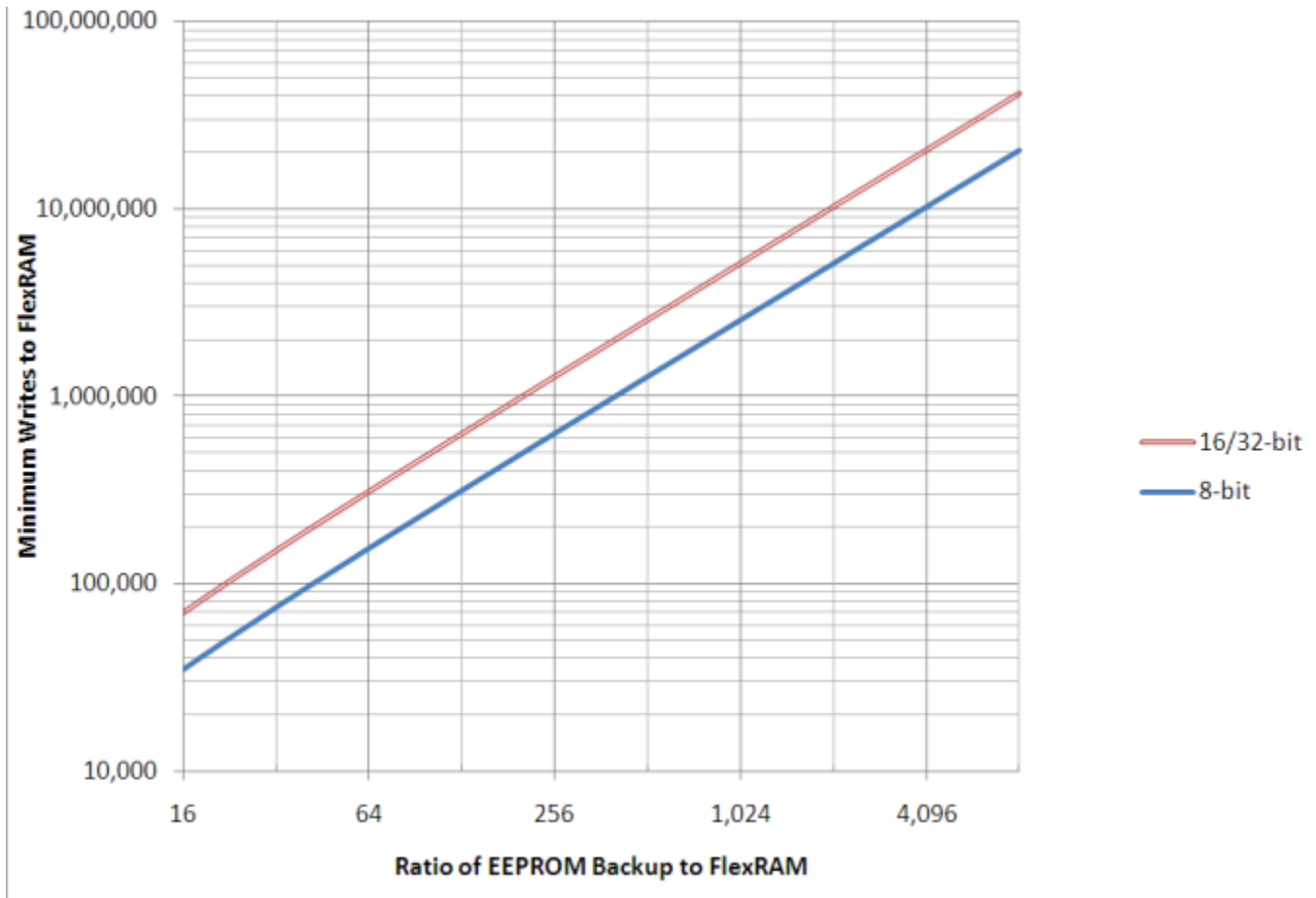


Figure 8. EEPROM backup writes to FlexRAM

### 6.4.2 EzPort Switching Specifications

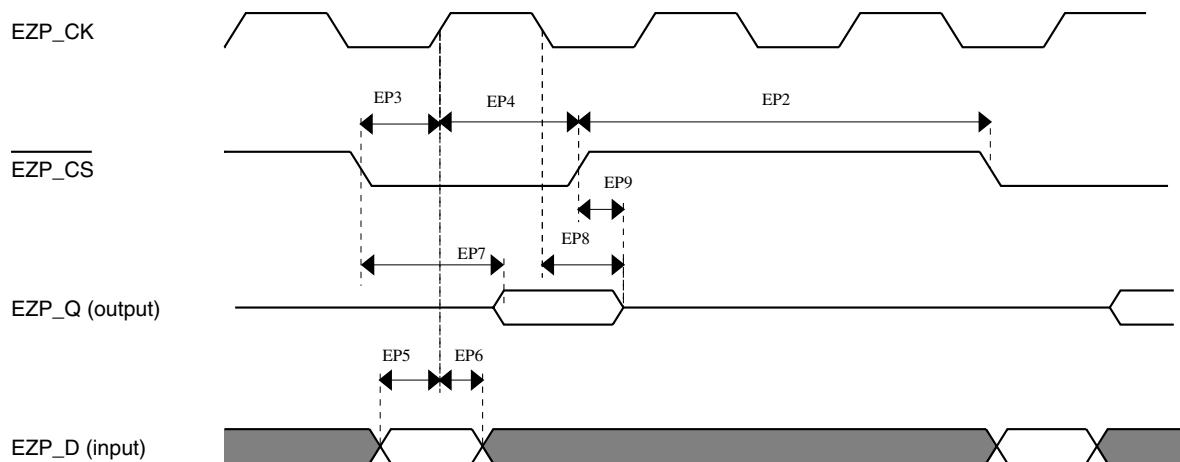
Table 22. EzPort switching specifications

| Num | Description       | Min. | Max. | Unit |
|-----|-------------------|------|------|------|
|     | Operating voltage | 1.71 | 3.6  | V    |

Table continues on the next page...

**Table 22. EzPort switching specifications (continued)**

| Num  | Description  | Min.                          | Max.        | Unit |
|------|--|-------------------------------|-------------|------|
| EP1  | EZP_CK frequency of operation (all commands except READ)                           | —                             | $f_{SYS}/2$ | MHz  |
| EP1a | EZP_CK frequency of operation (READ command)                                       | —                             | $f_{SYS}/8$ | MHz  |
| EP2  | $\overline{\text{EZP\_CS}}$ negation to next $\overline{\text{EZP\_CS}}$ assertion | $2 \times t_{\text{EZP\_CK}}$ | —           | ns   |
| EP3  | $\overline{\text{EZP\_CS}}$ input valid to EZP_CK high (setup)                     | 5                             | —           | ns   |
| EP4  | EZP_CK high to $\overline{\text{EZP\_CS}}$ input invalid (hold)                    | 5                             | —           | ns   |
| EP5  | EZP_D input valid to EZP_CK high (setup)   | 2                             | —           | ns   |
| EP6  | EZP_CK high to EZP_D input invalid (hold)  | 5                             | —           | ns   |
| EP7  | EZP_CK low to EZP_Q output valid   | —                             | 17          | ns   |
| EP8  | EZP_CK low to EZP_Q output invalid (hold)  | 0                             | —           | ns   |
| EP9  | $\overline{\text{EZP\_CS}}$ negation to EZP_Q tri-state                            | —                             | 12          | ns   |

**Figure 9. EzPort Timing Diagram**

## 6.5 Security and integrity modules

There are no specifications necessary for the device's security and integrity modules.

## 6.6 Analog

## 6.6.1 ADC electrical specifications

The 16-bit accuracy specifications listed in [Table 23](#) and [Table 24](#) are achievable on the differential pins ADC<sub>X</sub>\_DP0, ADC<sub>X</sub>\_DM0.

All other ADC channels meet the 13-bit differential/12-bit single-ended accuracy specifications.

### 6.6.1.1 16-bit ADC operating conditions

**Table 23. 16-bit ADC operating conditions**

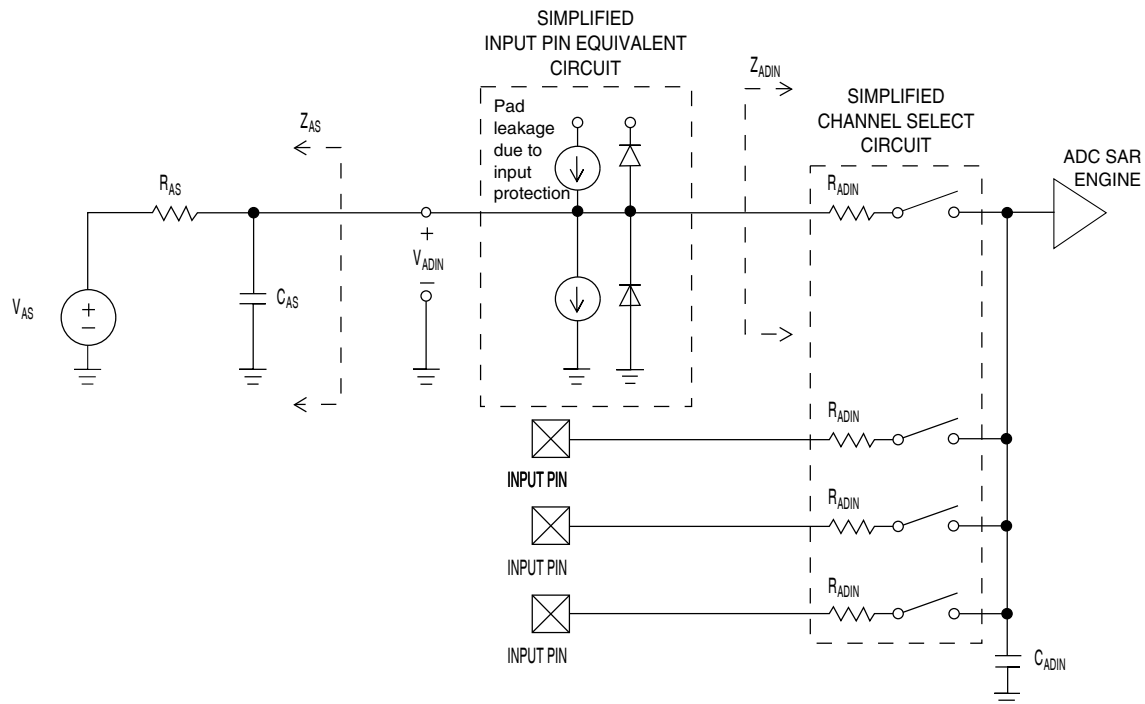
| Symbol            | Description                    | Conditions  | Min.              | Typ. <sup>1</sup> | Max.              | Unit | Notes             |
|-------------------|--------------------------------|---|-------------------|-------------------|-------------------|------|-------------------|
| V <sub>DDA</sub>  | Supply voltage                 | Absolute  | 1.71              | —                 | 3.6               | V    |                   |
| ΔV <sub>DDA</sub> | Supply voltage                 | Delta to V <sub>DD</sub> (V <sub>DD</sub> -V <sub>DDA</sub> )   | -100              | 0                 | +100              | mV   | <a href="#">2</a> |
| ΔV <sub>SSA</sub> | Ground voltage                 | Delta to V <sub>SS</sub> (V <sub>SS</sub> -V <sub>SSA</sub> )   | -100              | 0                 | +100              | mV   | <a href="#">2</a> |
| V <sub>REFH</sub> | ADC reference voltage high     |   | 1.13              | V <sub>DDA</sub>  | V <sub>DDA</sub>  | V    |                   |
| V <sub>REFL</sub> | Reference voltage low          |   | V <sub>SSA</sub>  | V <sub>SSA</sub>  | V <sub>SSA</sub>  | V    |                   |
| V <sub>ADIN</sub> | Input voltage                  |   | V <sub>REFL</sub> | —                 | V <sub>REFH</sub> | V    |                   |
| C <sub>ADIN</sub> | Input capacitance              | <ul style="list-style-type: none"> <li>• 16 bit modes</li> <li>• 8/10/12 bit modes</li> </ul>             | —                 | 8                 | 10                | pF   |                   |
| R <sub>ADIN</sub> | Input resistance               |   | —                 | 2                 | 5                 | kΩ   |                   |
| R <sub>AS</sub>   | Analog source resistance       | 13/12 bit modes<br>f <sub>ADCK</sub> < 4MHz   | —                 | —                 | 5                 | kΩ   | <a href="#">3</a> |
| f <sub>ADCK</sub> | ADC conversion clock frequency | ≤ 13 bit modes  | 1.0               | —                 | 18.0              | MHz  | <a href="#">4</a> |
| f <sub>ADCK</sub> | ADC conversion clock frequency | 16 bit modes  | 2.0               | —                 | 12.0              | MHz  | <a href="#">4</a> |
| C <sub>rate</sub> | ADC conversion rate            | ≤ 13 bit modes<br>No ADC hardware averaging<br>Continuous conversions enabled, subsequent conversion time | 20.000            | —                 | 818.330           | Ksps | <a href="#">5</a> |

*Table continues on the next page...*

**Table 23. 16-bit ADC operating conditions (continued)**

| Symbol     | Description         | Conditions  | Min.   | Typ. <sup>1</sup> | Max.    | Unit | Notes |
|------------|---------------------|---|--------|-------------------|---------|------|-------|
| $C_{rate}$ | ADC conversion rate | 16 bit modes<br>No ADC hardware averaging<br>Continuous conversions enabled, subsequent conversion time | 37.037 | —                 | 461.467 | Ksps | 5     |

1. Typical values assume  $V_{DDA} = 3.0\text{ V}$ ,  $\text{Temp} = 25^\circ\text{C}$ ,  $f_{ADCK} = 1.0\text{ MHz}$  unless otherwise stated. Typical values are for reference only and are not tested in production.
2. DC potential difference.
3. This resistance is external to MCU. The analog source resistance should be kept as low as possible in order to achieve the best results. The results in this datasheet were derived from a system which has  $<8\ \Omega$  analog source resistance. The  $R_{AS}/C_{AS}$  time constant should be kept to  $<1\text{ ns}$ .
4. To use the maximum ADC conversion clock frequency, the ADHSC bit should be set and the ADLPC bit should be clear.
5. For guidelines and examples of conversion rate calculation, download the ADC calculator tool: [http://cache.freescale.com/files/soft\\_dev\\_tools/software/app\\_software/converters/ADC\\_CALCULATOR\\_CNV.zip?fp=1](http://cache.freescale.com/files/soft_dev_tools/software/app_software/converters/ADC_CALCULATOR_CNV.zip?fp=1)

**Figure 10. ADC input impedance equivalency diagram****6.6.1.2 16-bit ADC electrical characteristics****Table 24. 16-bit ADC characteristics ( $V_{REFH} = V_{DDA}$ ,  $V_{REFL} = V_{SSA}$ )**

| Symbol         | Description    | Conditions <sup>1</sup> | Min.  | Typ. <sup>2</sup> | Max. | Unit | Notes |
|----------------|----------------|-------------------------|-------|-------------------|------|------|-------|
| $I_{DDA\_ADC}$ | Supply current |                         | 0.215 | —                 | 1.7  | mA   | 3     |

Table continues on the next page...

**Table 24. 16-bit ADC characteristics ( $V_{REFH} = V_{DDA}$ ,  $V_{REFL} = V_{SSA}$ ) (continued)**

| Symbol      | Description                     | Conditions <sup>1</sup>                       | Min.                             | Typ. <sup>2</sup>    | Max.                   | Unit             | Notes                     |
|-------------|---------------------------------|---|----------------------------------|----------------------|------------------------|------------------|---------------------------|
| $f_{ADACK}$ | ADC asynchronous clock source   | • ADLPC=1, ADHSC=0                            | 1.2                              | 2.4                  | 3.9                    | MHz              | $t_{ADACK} = 1/f_{ADACK}$ |
|             |                                 | • ADLPC=1, ADHSC=1                            | 3.0                              | 4.0                  | 7.3                    | MHz              |                           |
|             |                                 | • ADLPC=0, ADHSC=0                            | 2.4                              | 5.2                  | 6.1                    | MHz              |                           |
|             |                                 | • ADLPC=0, ADHSC=1                            | 4.4                              | 6.2                  | 9.5                    | MHz              |                           |
|             | Sample Time                     | See Reference Manual chapter for sample times |                                  |                      |                        |                  |                           |
| TUE         | Total unadjusted error          | • 12 bit modes<br>• <12 bit modes             | —<br>—                           | $\pm 4$<br>$\pm 1.4$ | $\pm 6.8$<br>$\pm 2.1$ | LSB <sup>4</sup> | 5                         |
| DNL         | Differential non-linearity      | • 12 bit modes                                | —                                | $\pm 0.7$            | -1.1 to +1.9           | LSB <sup>4</sup> | 5                         |
|             |                                 | • <12 bit modes                               | —                                | $\pm 0.2$            | -0.3 to 0.5            |                  |                           |
| INL         | Integral non-linearity          | • 12 bit modes                                | —                                | $\pm 1.0$            | -2.7 to +1.9           | LSB <sup>4</sup> | 5                         |
|             |                                 | • <12 bit modes                               | —                                | $\pm 0.5$            | -0.7 to +0.5           |                  |                           |
| $E_{FS}$    | Full-scale error                | • 12 bit modes                                | —                                | -4                   | -5.4                   | LSB <sup>4</sup> | $V_{ADIN} = V_{DDA}$<br>5 |
|             |                                 | • <12 bit modes                               | —                                | -1.4                 | -1.8                   |                  |                           |
| $E_Q$       | Quantization error              | • 16 bit modes                                | —                                | -1 to 0              | —                      | LSB <sup>4</sup> |                           |
|             |                                 | • $\leq 13$ bit modes                         | —                                | —                    | $\pm 0.5$              |                  |                           |
| ENOB        | Effective number of bits        | 16 bit differential mode                      |                                  |                      |                        |                  | 6                         |
|             |                                 | • Avg=32                                      | 12.8                             | 14.5                 | —                      | bits             |                           |
|             |                                 | • Avg=4                                       | 11.9                             | 13.8                 | —                      | bits             |                           |
|             |                                 | 16 bit single-ended mode                      |                                  |                      |                        |                  |                           |
| • Avg=32    | 12.2                            | 13.9  | —                                | bits                 |                        |                  |                           |
| • Avg=4     | 11.4                            | 13.1  | —                                | bits                 |                        |                  |                           |
| SINAD       | Signal-to-noise plus distortion | See ENOB                                      | $6.02 \times \text{ENOB} + 1.76$ |                      |                        | dB               |                           |
| THD         | Total harmonic distortion       | 16 bit differential mode                      |                                  |                      |                        |                  | 7                         |
|             |                                 | • Avg=32                                      | —                                | -94                  | —                      | dB               |                           |
|             |                                 | 16 bit single-ended mode                      |                                  |                      |                        |                  |                           |
|             |                                 | • Avg=32                                      | —                                | -85                  | —                      | dB               |                           |

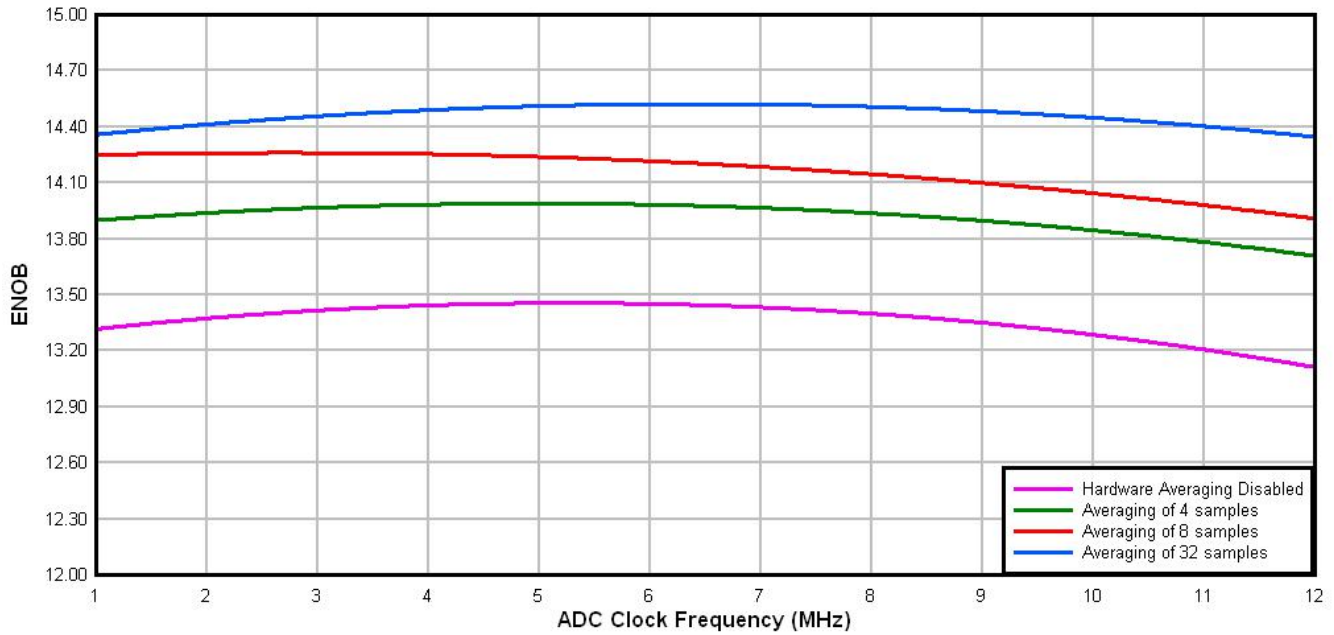
Table continues on the next page...

**Table 24. 16-bit ADC characteristics ( $V_{REFH} = V_{DDA}$ ,  $V_{REFL} = V_{SSA}$ ) (continued)**

| Symbol              | Description                 | Conditions <sup>1</sup>              | Min.                   | Typ. <sup>2</sup> | Max. | Unit  | Notes   |
|---------------------|-----------------------------|--------------------------------------|------------------------|-------------------|------|-------|---|
| SFDR                | Spurious free dynamic range | 16 bit differential mode<br>• Avg=32 | 82                     | 95                | —    | dB    | 7   |
|                     |                             | 16 bit single-ended mode<br>• Avg=32 | 78                     | 90                | —    | dB    |   |
| E <sub>IL</sub>     | Input leakage error         |                                      | $I_{in} \times R_{AS}$ |                   |      | mV    | I <sub>in</sub> = leakage current<br>(refer to the MCU's voltage and current operating ratings) |
|                     | Temp sensor slope           | −40°C to 105°C                       | —                      | 1.715             | —    | mV/°C |   |
| V <sub>TEMP25</sub> | Temp sensor voltage         | 25°C                                 | —                      | 719               | —    | mV    |   |

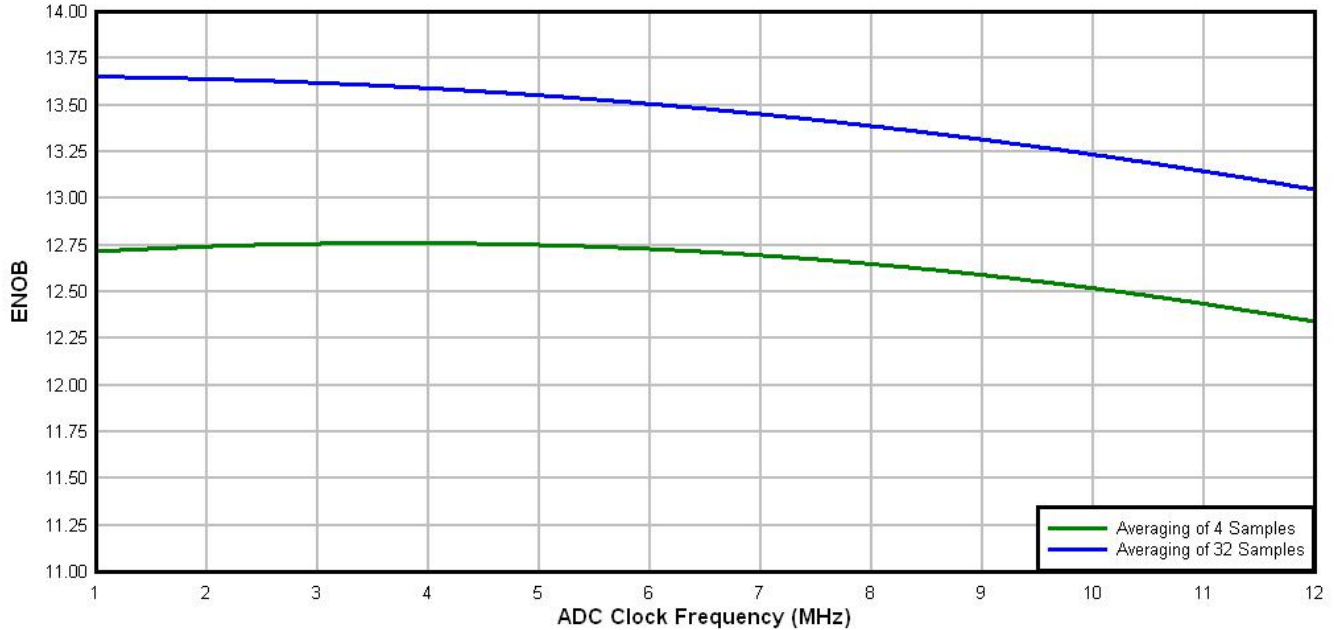
- All accuracy numbers assume the ADC is calibrated with  $V_{REFH} = V_{DDA}$
- Typical values assume  $V_{DDA} = 3.0$  V, Temp = 25°C,  $f_{ADCK} = 2.0$  MHz unless otherwise stated. Typical values are for reference only and are not tested in production.
- The ADC supply current depends on the ADC conversion clock speed, conversion rate and the ADLPC bit (low power). For lowest power operation the ADLPC bit should be set, the HSC bit should be clear with 1MHz ADC conversion clock speed.
- $1 \text{ LSB} = (V_{REFH} - V_{REFL})/2^N$
- ADC conversion clock <16MHz, Max hardware averaging (AVGE = %1, AVGS = %11)
- Input data is 100 Hz sine wave. ADC conversion clock <12MHz.
- Input data is 1 kHz sine wave. ADC conversion clock <12MHz.

**Typical ADC 16-bit Differential ENOB vs ADC Clock**  
**100Hz, 90% FS Sine Input**



**Figure 11. Typical ENOB vs. ADC\_CLK for 16-bit differential mode**

**Typical ADC 16-bit Single-Ended ENOB vs ADC Clock**  
**100Hz, 90% FS Sine Input**



**Figure 12. Typical ENOB vs. ADC\_CLK for 16-bit single-ended mode**



## 6.6.2 CMP and 6-bit DAC electrical specifications

**Table 25. Comparator and 6-bit DAC electrical specifications**

| Symbol      | Description  | Min.           | Typ. | Max.     | Unit             |
|-------------|--|----------------|------|----------|------------------|
| $V_{DD}$    | Supply voltage   | 1.71           | —    | 3.6      | V                |
| $I_{DDHS}$  | Supply current, High-speed mode (EN=1, PMODE=1)  | —              | —    | 200      | $\mu$ A          |
| $I_{DDL S}$ | Supply current, low-speed mode (EN=1, PMODE=0)   | —              | —    | 20       | $\mu$ A          |
| $V_{AIN}$   | Analog input voltage   | $V_{SS} - 0.3$ | —    | $V_{DD}$ | V                |
| $V_{AIO}$   | Analog input offset voltage  | —              | —    | 20       | mV               |
| $V_H$       | Analog comparator hysteresis <sup>1</sup> <ul style="list-style-type: none"> <li>• CR0[HYSTCTR] = 00</li> <li>• CR0[HYSTCTR] = 01</li> <li>• CR0[HYSTCTR] = 10</li> <li>• CR0[HYSTCTR] = 11</li> </ul> | —              | 5    | —        | mV               |
|             |  | —              | 10   | —        | mV               |
|             |  | —              | 20   | —        | mV               |
|             |  | —              | 30   | —        | mV               |
| $V_{CMPOH}$ | Output high  | $V_{DD} - 0.5$ | —    | —        | V                |
| $V_{CMPOI}$ | Output low   | —              | —    | 0.5      | V                |
| $t_{DHS}$   | Propagation delay, high-speed mode (EN=1, PMODE=1)   | 20             | 50   | 200      | ns               |
| $t_{DLS}$   | Propagation delay, low-speed mode (EN=1, PMODE=0)  | 80             | 250  | 600      | ns               |
|             | Analog comparator initialization delay <sup>2</sup>  | —              | —    | 40       | $\mu$ s          |
| $I_{DAC6b}$ | 6-bit DAC current adder (enabled)  | —              | 7    | —        | $\mu$ A          |
| INL         | 6-bit DAC integral non-linearity   | -0.5           | —    | 0.5      | LSB <sup>3</sup> |
| DNL         | 6-bit DAC differential non-linearity   | -0.3           | —    | 0.3      | LSB              |

1. Typical hysteresis is measured with input voltage range limited to 0.6 to  $V_{DD}-0.6V$ .
2. Comparator initialization delay is defined as the time between software writes to change control inputs (Writes to DACEN, VRSEL, PSEL, MSEL, VOSEL) and the comparator output settling to a stable level.
3. 1 LSB =  $V_{reference}/64$

Peripheral operating requirements and behaviors

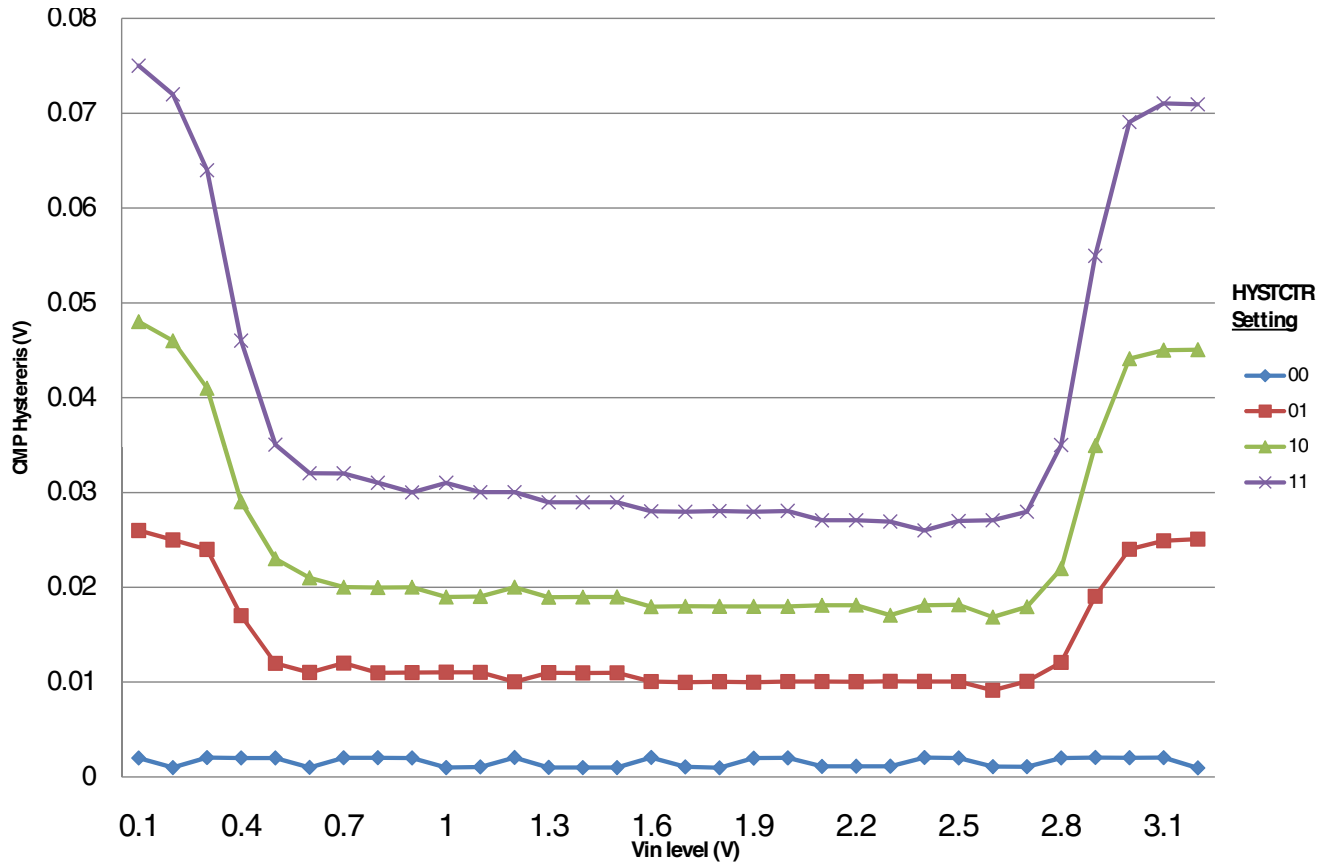


Figure 13. Typical hysteresis vs. Vin level (VDD=3.3V, PMODE=0)

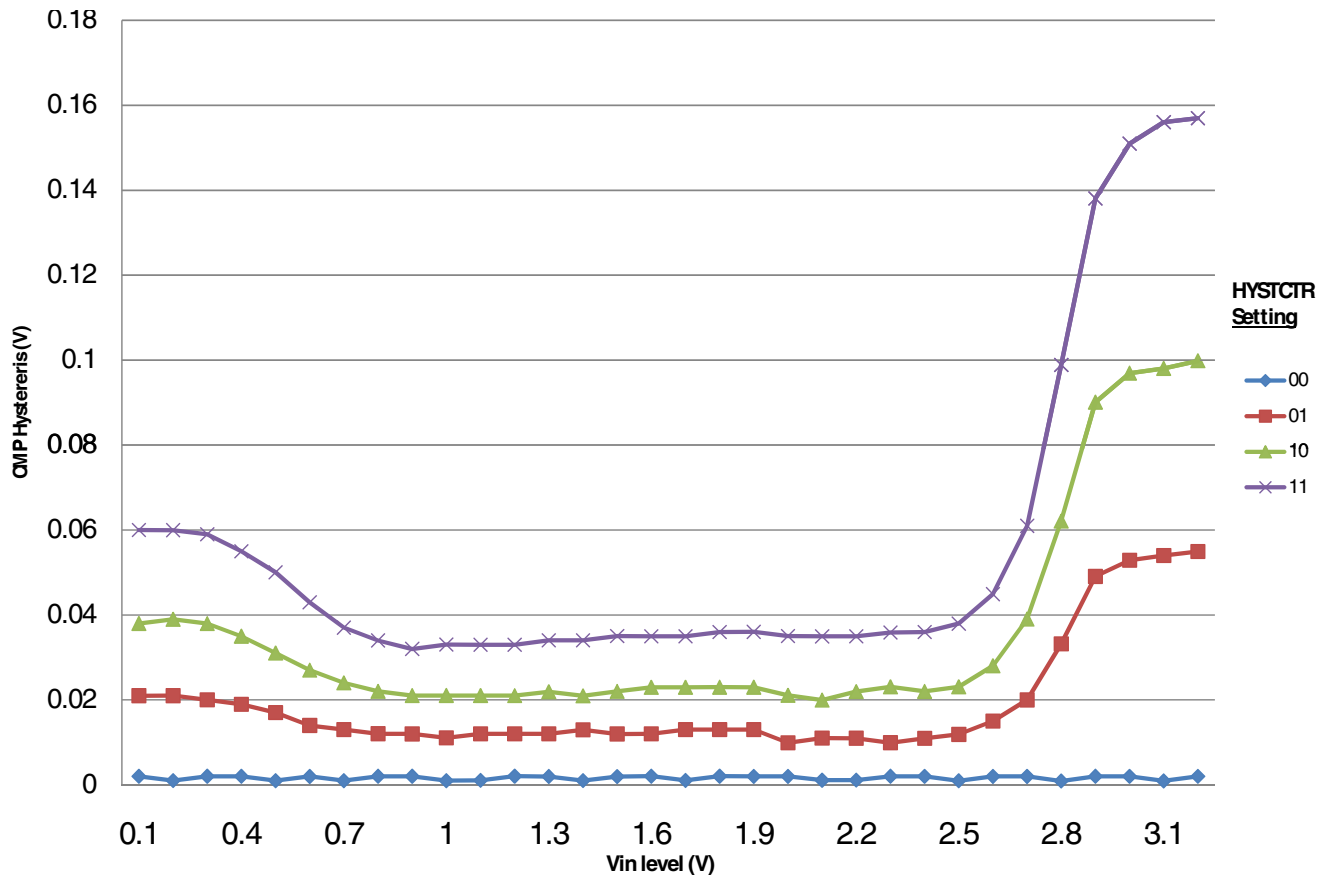


Figure 14. Typical hysteresis vs. Vin level (VDD=3.3V, PMODE=1)

### 6.6.3 Voltage reference electrical specifications

Table 26. VREF full-range operating requirements

| Symbol    | Description             | Min. | Max. | Unit | Notes |
|-----------|-------------------------|------|------|------|-------|
| $V_{DDA}$ | Supply voltage          | 1.71 | 3.6  | V    |       |
| $T_A$     | Temperature             | -40  | 105  | °C   |       |
| $C_L$     | Output load capacitance | 100  |      | nF   | 1, 2  |

- $C_L$  must be connected to VREF\_OUT if the VREF\_OUT functionality is being used for either an internal or external reference.
- The load capacitance should not exceed +/-25% of the nominal specified  $C_L$  value over the operating temperature range of the device.

Table 27. VREF full-range operating behaviors

| Symbol    | Description   | Min.   | Typ.  | Max.   | Unit | Notes |
|-----------|---|--------|-------|--------|------|-------|
| $V_{out}$ | Voltage reference output with factory trim at nominal $V_{DDA}$ and temperature=25C | 1.1915 | 1.195 | 1.1977 | V    |       |

Table continues on the next page...

**Table 27. VREF full-range operating behaviors (continued)**

| Symbol            | Description  | Min.   | Typ. | Max.   | Unit    | Notes |
|-------------------|--|--------|------|--------|---------|-------|
| $V_{out}$         | Voltage reference output — factory trim                                    | 1.1584 | —    | 1.2376 | V       |       |
| $V_{out}$         | Voltage reference output — user trim                                       | 1.193  | —    | 1.197  | V       |       |
| $V_{step}$        | Voltage reference trim step  | —      | 0.5  | —      | mV      |       |
| $V_{tdrift}$      | Temperature drift ( $V_{max} - V_{min}$ across the full temperature range) | —      | —    | 80     | mV      |       |
| $I_{bg}$          | Bandgap only current   | —      | —    | 80     | $\mu$ A | 1     |
| $I_{lp}$          | Low-power buffer current   | —      | —    | 360    | $\mu$ A | 1     |
| $I_{hp}$          | High-power buffer current  | —      | —    | 1      | mA      | 1     |
| $\Delta V_{LOAD}$ | Load regulation<br>• current = $\pm 1.0$ mA                                | —      | 200  | —      | $\mu$ V | 1, 2  |
| $T_{stup}$        | Buffer startup time  | —      | —    | 100    | $\mu$ s |       |
| $V_{vdrift}$      | Voltage drift ( $V_{max} - V_{min}$ across the full voltage range)         | —      | 2    | —      | mV      | 1     |

1. See the chip's Reference Manual for the appropriate settings of the VREF Status and Control register.
2. Load regulation voltage is the difference between the VREF\_OUT voltage with no load vs. voltage with defined load

**Table 28. VREF limited-range operating requirements**

| Symbol | Description | Min. | Max. | Unit         | Notes |
|--------|-------------|------|------|--------------|-------|
| $T_A$  | Temperature | 0    | 50   | $^{\circ}$ C |       |

**Table 29. VREF limited-range operating behaviors**

| Symbol    | Description                                | Min.  | Max.  | Unit | Notes |
|-----------|--|-------|-------|------|-------|
| $V_{out}$ | Voltage reference output with factory trim | 1.173 | 1.225 | V    |       |

## 6.7 Timers

See [General switching specifications](#).

## 6.8 Communication interfaces

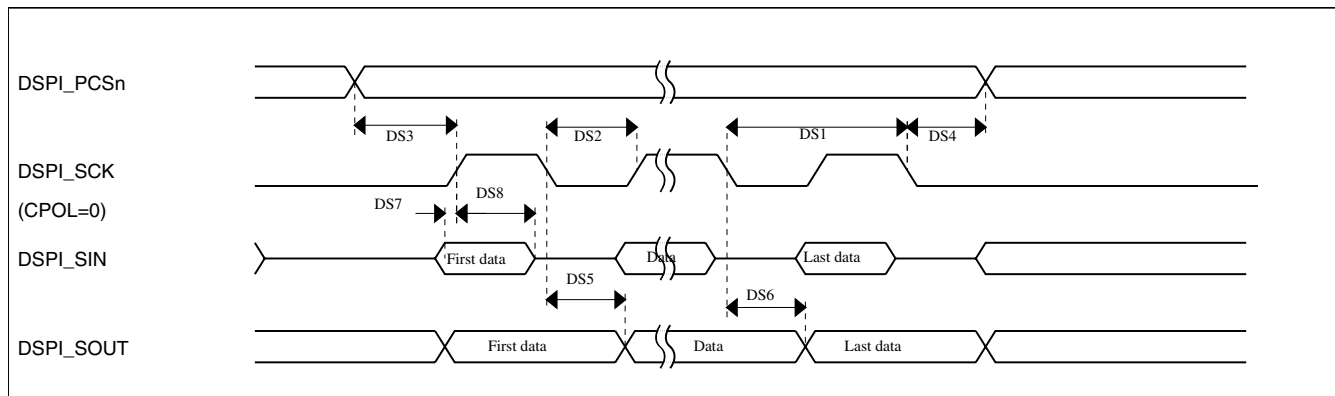
## 6.8.1 DSPI switching specifications (limited voltage range)

The DMA Serial Peripheral Interface (DSPI) provides a synchronous serial bus with master and slave operations. Many of the transfer attributes are programmable. The tables below provide DSPI timing characteristics for classic SPI timing modes. Refer to the DSPI chapter of the Reference Manual for information on the modified transfer formats used for communicating with slower peripheral devices.

**Table 30. Master mode DSPI timing (limited voltage range)**

| Num | Description                                     | Min.                            | Max.                     | Unit | Notes |
|-----|---|---------------------------------|--------------------------|------|-------|
|     | Operating voltage                               | 2.7                             | 3.6                      | V    |       |
|     | Frequency of operation                          | —                               | 25                       | MHz  |       |
| DS1 | DSPI_SCK output cycle time                      | $2 \times t_{\text{BUS}}$       | —                        | ns   |       |
| DS2 | DSPI_SCK output high/low time                   | $(t_{\text{SCK}}/2) - 2$        | $(t_{\text{SCK}}/2) + 2$ | ns   |       |
| DS3 | DSPI_PCS <sub>n</sub> valid to DSPI_SCK delay   | $(t_{\text{BUS}} \times 2) - 2$ | —                        | ns   | 1     |
| DS4 | DSPI_SCK to DSPI_PCS <sub>n</sub> invalid delay | $(t_{\text{BUS}} \times 2) - 2$ | —                        | ns   | 2     |
| DS5 | DSPI_SCK to DSPI_SOUT valid                     | —                               | 8                        | ns   |       |
| DS6 | DSPI_SCK to DSPI_SOUT invalid                   | 0                               | —                        | ns   |       |
| DS7 | DSPI_SIN to DSPI_SCK input setup                | 14                              | —                        | ns   |       |
| DS8 | DSPI_SCK to DSPI_SIN input hold                 | 0                               | —                        | ns   |       |

1. The delay is programmable in SPIx\_CTARn[PSSCK] and SPIx\_CTARn[CSSCK].
2. The delay is programmable in SPIx\_CTARn[PASC] and SPIx\_CTARn[ASC].



**Figure 15. DSPI classic SPI timing — master mode**

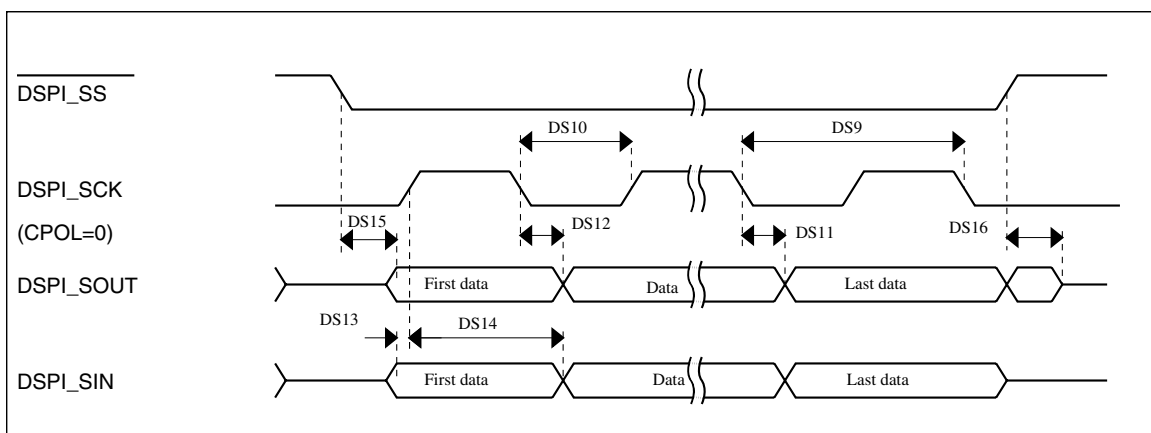
**Table 31. Slave mode DSPI timing (limited voltage range)**

| Num | Description            | Min. | Max. | Unit |
|-----|------------------------|------|------|------|
|     | Operating voltage      | 2.7  | 3.6  | V    |
|     | Frequency of operation |      | 12.5 | MHz  |

Table continues on the next page...

**Table 31. Slave mode DSPI timing (limited voltage range) (continued)**

| Num  | Description  | Min.               | Max.              | Unit |
|------|--|--------------------|-------------------|------|
| DS9  | DSPI_SCK input cycle time                              | $4 \times t_{BUS}$ | —                 | ns   |
| DS10 | DSPI_SCK input high/low time                           | $(t_{SCK}/2) - 2$  | $(t_{SCK}/2) + 2$ | ns   |
| DS11 | DSPI_SCK to DSPI_SOUT valid                            | —                  | 20                | ns   |
| DS12 | DSPI_SCK to DSPI_SOUT invalid                          | 0                  | —                 | ns   |
| DS13 | DSPI_SIN to DSPI_SCK input setup                       | 2                  | —                 | ns   |
| DS14 | DSPI_SCK to DSPI_SIN input hold                        | 7                  | —                 | ns   |
| DS15 | $\overline{DSPI\_SS}$ active to DSPI_SOUT driven       | —                  | 14                | ns   |
| DS16 | $\overline{DSPI\_SS}$ inactive to DSPI_SOUT not driven | —                  | 14                | ns   |

**Figure 16. DSPI classic SPI timing — slave mode**

## 6.8.2 DSPI switching specifications (full voltage range)

The DMA Serial Peripheral Interface (DSPI) provides a synchronous serial bus with master and slave operations. Many of the transfer attributes are programmable. The tables below provides DSPI timing characteristics for classic SPI timing modes. Refer to the DSPI chapter of the Reference Manual for information on the modified transfer formats used for communicating with slower peripheral devices.

**Table 32. Master mode DSPI timing (full voltage range)**

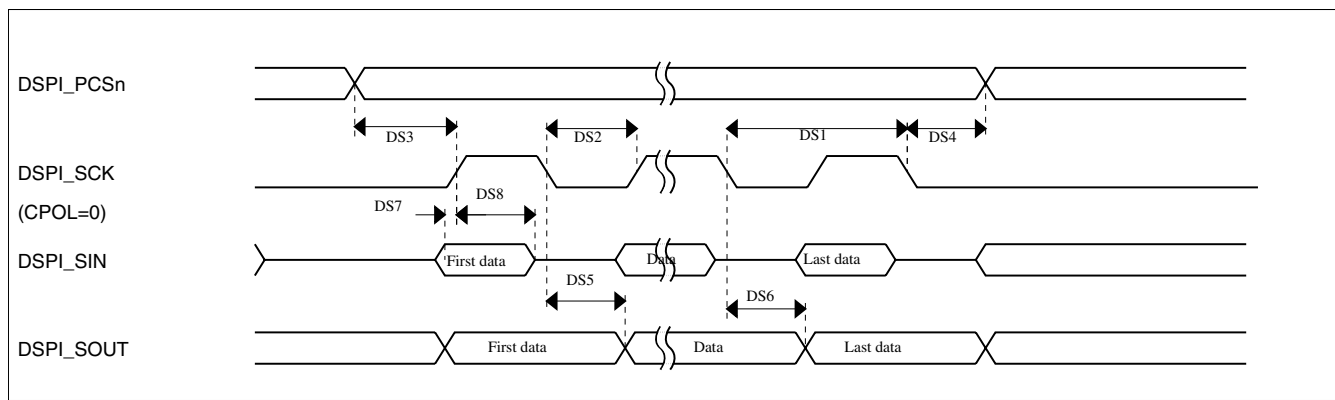
| Num | Description                   | Min.               | Max.              | Unit | Notes |
|-----|-------------------------------|--------------------|-------------------|------|-------|
|     | Operating voltage             | 1.71               | 3.6               | V    | 1     |
|     | Frequency of operation        | —                  | 12.5              | MHz  |       |
| DS1 | DSPI_SCK output cycle time    | $4 \times t_{BUS}$ | —                 | ns   |       |
| DS2 | DSPI_SCK output high/low time | $(t_{SCK}/2) - 4$  | $(t_{SCK}/2) + 4$ | ns   |       |

Table continues on the next page...

**Table 32. Master mode DSPI timing (full voltage range) (continued)**

| Num | Description                         | Min.                     | Max. | Unit | Notes |
|-----|-------------------------------------|--------------------------|------|------|-------|
| DS3 | DSPI_PCSn valid to DSPI_SCK delay   | $(t_{BUS} \times 2) - 4$ | —    | ns   | 2     |
| DS4 | DSPI_SCK to DSPI_PCSn invalid delay | $(t_{BUS} \times 2) - 4$ | —    | ns   | 3     |
| DS5 | DSPI_SCK to DSPI_SOUT valid         | —                        | 8.5  | ns   |       |
| DS6 | DSPI_SCK to DSPI_SOUT invalid       | -1.2                     | —    | ns   |       |
| DS7 | DSPI_SIN to DSPI_SCK input setup    | 19.1                     | —    | ns   |       |
| DS8 | DSPI_SCK to DSPI_SIN input hold     | 0                        | —    | ns   |       |

1. The DSPI module can operate across the entire operating voltage for the processor, but to run across the full voltage range the maximum frequency of operation is reduced.
2. The delay is programmable in SPIx\_CTARn[PSSCK] and SPIx\_CTARn[CSSCK].
3. The delay is programmable in SPIx\_CTARn[PASC] and SPIx\_CTARn[ASC].

**Figure 17. DSPI classic SPI timing — master mode****Table 33. Slave mode DSPI timing (full voltage range)**

| Num  | Description  | Min.               | Max.              | Unit |
|------|--|--------------------|-------------------|------|
|      | Operating voltage                                      | 1.71               | 3.6               | V    |
|      | Frequency of operation                                 | —                  | 6.25              | MHz  |
| DS9  | DSPI_SCK input cycle time                              | $8 \times t_{BUS}$ | —                 | ns   |
| DS10 | DSPI_SCK input high/low time                           | $(t_{SCK}/2) - 4$  | $(t_{SCK}/2) + 4$ | ns   |
| DS11 | DSPI_SCK to DSPI_SOUT valid                            | —                  | 24                | ns   |
| DS12 | DSPI_SCK to DSPI_SOUT invalid                          | 0                  | —                 | ns   |
| DS13 | DSPI_SIN to DSPI_SCK input setup                       | 3.2                | —                 | ns   |
| DS14 | DSPI_SCK to DSPI_SIN input hold                        | 7                  | —                 | ns   |
| DS15 | $\overline{DSPI\_SS}$ active to DSPI_SOUT driven       | —                  | 19                | ns   |
| DS16 | $\overline{DSPI\_SS}$ inactive to DSPI_SOUT not driven | —                  | 19                | ns   |

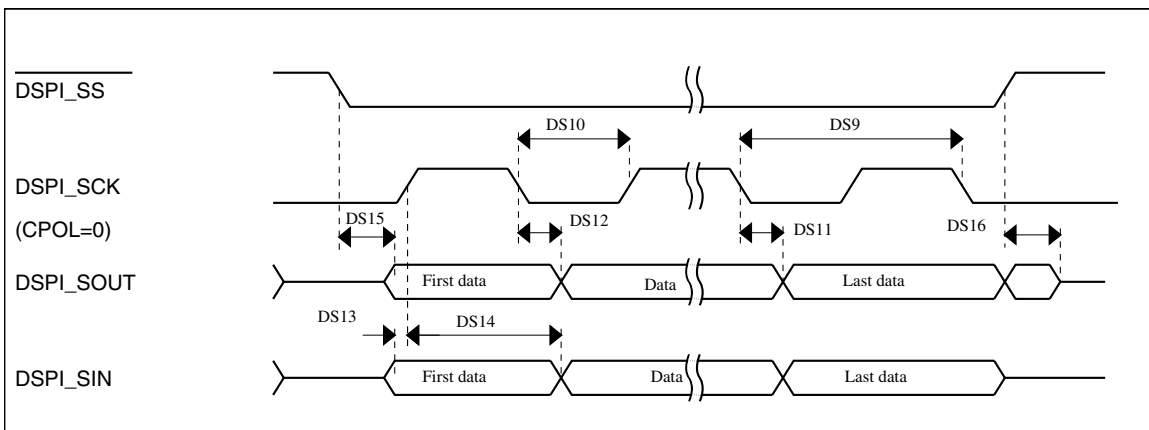


Figure 18. DSPI classic SPI timing — slave mode

### 6.8.3 I<sup>2</sup>C switching specifications

See [General switching specifications](#).

### 6.8.4 UART switching specifications

See [General switching specifications](#).

### 6.8.5 I2S/SAI Switching Specifications

This section provides the AC timing for the I2S/SAI module in master mode (clocks are driven) and slave mode (clocks are input). All timing is given for noninverted serial clock polarity (TCR2[BCP] is 0, RCR2[BCP] is 0) and a noninverted frame sync (TCR4[FSP] is 0, RCR4[FSP] is 0). If the polarity of the clock and/or the frame sync have been inverted, all the timing remains valid by inverting the bit clock signal (BCLK) and/or the frame sync (FS) signal shown in the following figures.

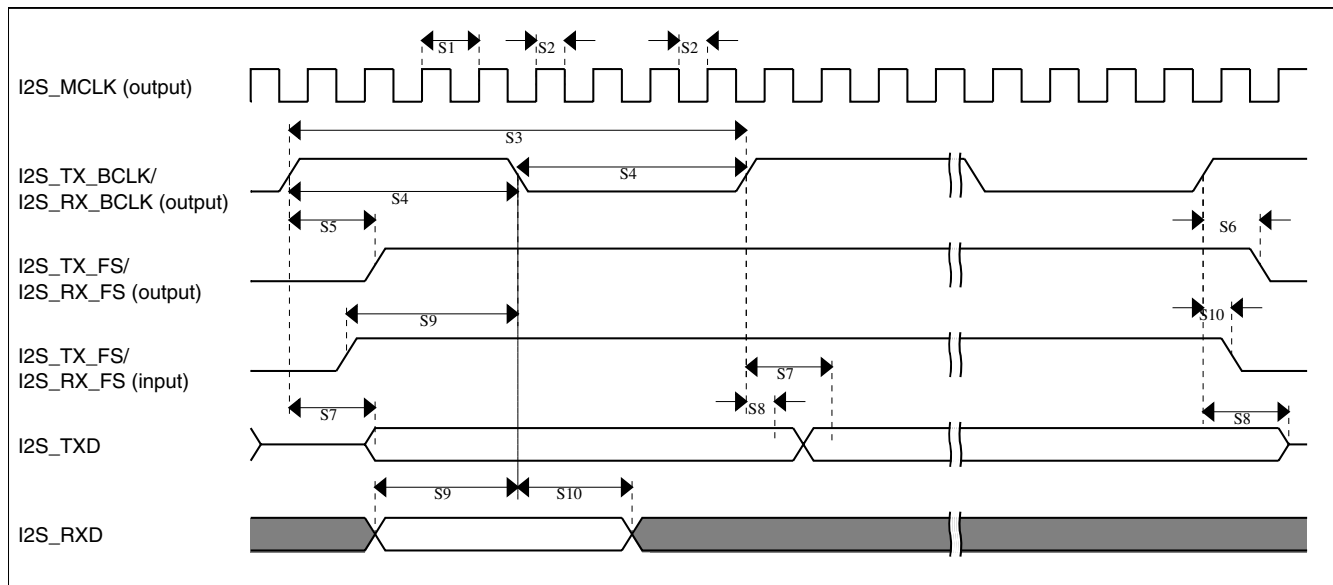


### 6.8.5.1 Normal Run, Wait and Stop mode performance over the full operating voltage range

This section provides the operating performance over the full operating voltage for the device in Normal Run, Wait and Stop modes.

**Table 34. I2S/SAI master mode timing**

| Num. | Characteristic  | Min. | Max. | Unit        |
|------|---|------|------|-------------|
|      | Operating voltage   | 1.71 | 3.6  | V           |
| S1   | I2S_MCLK cycle time   | 40   | —    | ns          |
| S2   | I2S_MCLK pulse width high/low                                     | 45%  | 55%  | MCLK period |
| S3   | I2S_TX_BCLK/I2S_RX_BCLK cycle time (output)                       | 80   | —    | ns          |
| S4   | I2S_TX_BCLK/I2S_RX_BCLK pulse width high/low                      | 45%  | 55%  | BCLK period |
| S5   | I2S_TX_BCLK/I2S_RX_BCLK to I2S_TX_FS/<br>I2S_RX_FS output valid   | —    | 15   | ns          |
| S6   | I2S_TX_BCLK/I2S_RX_BCLK to I2S_TX_FS/<br>I2S_RX_FS output invalid | 0    | —    | ns          |
| S7   | I2S_TX_BCLK to I2S_TXD valid                                      | —    | 15   | ns          |
| S8   | I2S_TX_BCLK to I2S_TXD invalid                                    | 0    | —    | ns          |
| S9   | I2S_RXD/I2S_RX_FS input setup before<br>I2S_RX_BCLK               | 25   | —    | ns          |
| S10  | I2S_RXD/I2S_RX_FS input hold after I2S_RX_BCLK                    | 0    | —    | ns          |

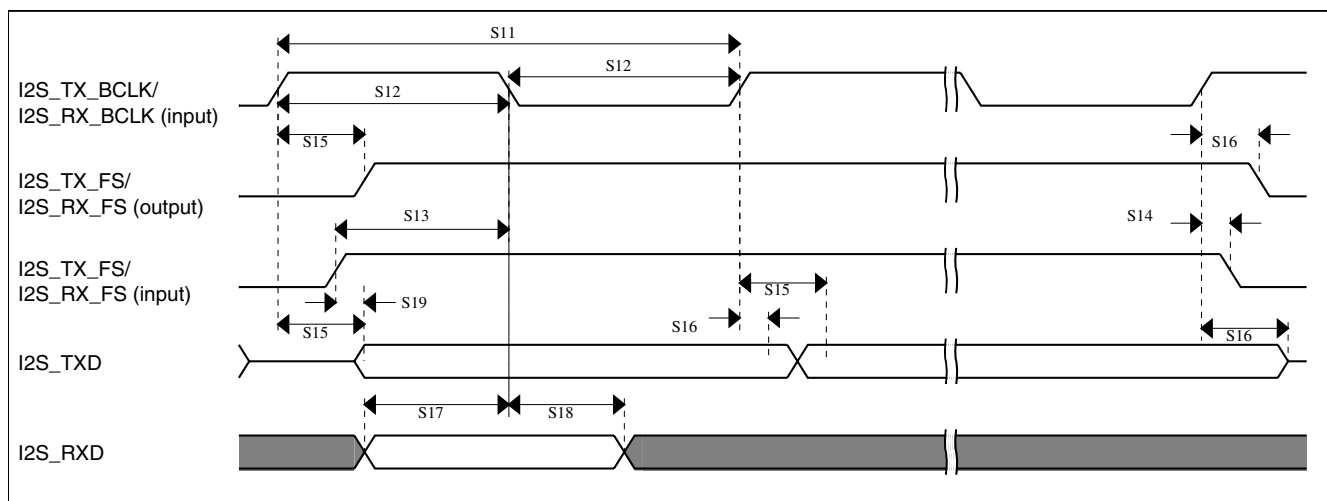


**Figure 19. I2S/SAI timing — master modes**

**Table 35. I2S/SAI slave mode timing**

| Num. | Characteristic   | Min. | Max. | Unit        |
|------|--|------|------|-------------|
|      | Operating voltage  | 1.71 | 3.6  | V           |
| S11  | I2S_TX_BCLK/I2S_RX_BCLK cycle time (input)                     | 80   | —    | ns          |
| S12  | I2S_TX_BCLK/I2S_RX_BCLK pulse width high/low (input)           | 45%  | 55%  | MCLK period |
| S13  | I2S_TX_FS/I2S_RX_FS input setup before I2S_TX_BCLK/I2S_RX_BCLK | 10   | —    | ns          |
| S14  | I2S_TX_FS/I2S_RX_FS input hold after I2S_TX_BCLK/I2S_RX_BCLK   | 2    | —    | ns          |
| S15  | I2S_TX_BCLK to I2S_TXD/I2S_TX_FS output valid                  | —    | 29   | ns          |
| S16  | I2S_TX_BCLK to I2S_TXD/I2S_TX_FS output invalid                | 0    | —    | ns          |
| S17  | I2S_RXD setup before I2S_RX_BCLK                               | 10   | —    | ns          |
| S18  | I2S_RXD hold after I2S_RX_BCLK                                 | 2    | —    | ns          |
| S19  | I2S_TX_FS input assertion to I2S_TXD output valid <sup>1</sup> | —    | 21   | ns          |

1. Applies to first bit in each frame and only if the TCR4[FSE] bit is clear



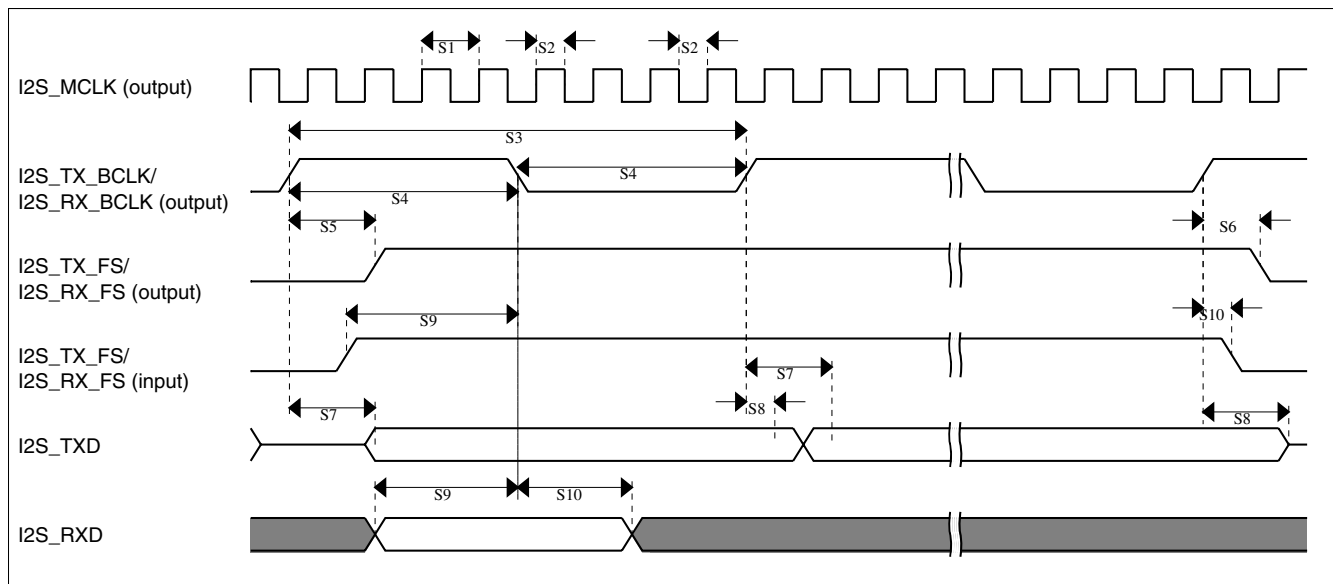
**Figure 20. I2S/SAI timing — slave modes**

### 6.8.5.2 VLPR, VLPW, and VLPS mode performance over the full operating voltage range

This section provides the operating performance over the full operating voltage for the device in VLPR, VLPW, and VLPS modes.

**Table 36. I2S/SAI master mode timing in VLPR, VLPW, and VLPS modes (full voltage range)**

| Num. | Characteristic  | Min. | Max. | Unit        |
|------|---|------|------|-------------|
|      | Operating voltage   | 1.71 | 3.6  | V           |
| S1   | I2S_MCLK cycle time   | 62.5 | —    | ns          |
| S2   | I2S_MCLK pulse width high/low                                     | 45%  | 55%  | MCLK period |
| S3   | I2S_TX_BCLK/I2S_RX_BCLK cycle time (output)                       | 250  | —    | ns          |
| S4   | I2S_TX_BCLK/I2S_RX_BCLK pulse width high/low                      | 45%  | 55%  | BCLK period |
| S5   | I2S_TX_BCLK/I2S_RX_BCLK to I2S_TX_FS/<br>I2S_RX_FS output valid   | —    | 45   | ns          |
| S6   | I2S_TX_BCLK/I2S_RX_BCLK to I2S_TX_FS/<br>I2S_RX_FS output invalid | 0    | —    | ns          |
| S7   | I2S_TX_BCLK to I2S_TXD valid                                      | —    | 45   | ns          |
| S8   | I2S_TX_BCLK to I2S_TXD invalid                                    | 0    | —    | ns          |
| S9   | I2S_RXD/I2S_RX_FS input setup before<br>I2S_RX_BCLK               | 45   | —    | ns          |
| S10  | I2S_RXD/I2S_RX_FS input hold after I2S_RX_BCLK                    | 0    | —    | ns          |

**Figure 21. I2S/SAI timing — master modes****Table 37. I2S/SAI slave mode timing in VLPR, VLPW, and VLPS modes (full voltage range)**

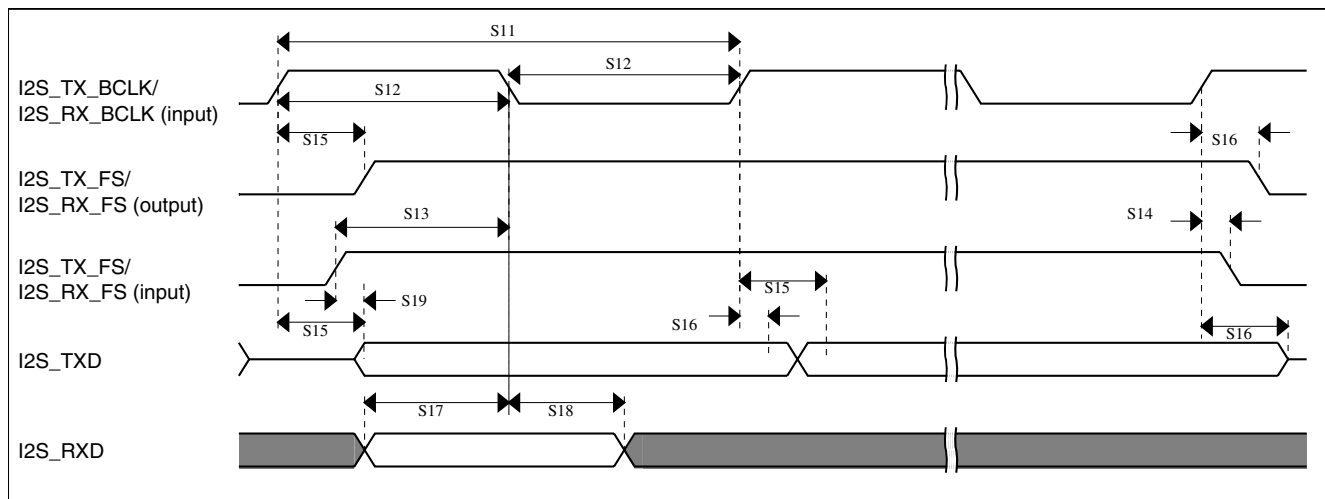
| Num. | Characteristic                             | Min. | Max. | Unit |
|------|--|------|------|------|
|      | Operating voltage                          | 1.71 | 3.6  | V    |
| S11  | I2S_TX_BCLK/I2S_RX_BCLK cycle time (input) | 250  | —    | ns   |

Table continues on the next page...

**Table 37. I2S/SAI slave mode timing in VLPR, VLPW, and VLPS modes (full voltage range) (continued)**

| Num. | Characteristic   | Min. | Max. | Unit        |
|------|--|------|------|-------------|
| S12  | I2S_TX_BCLK/I2S_RX_BCLK pulse width high/low (input)           | 45%  | 55%  | MCLK period |
| S13  | I2S_TX_FS/I2S_RX_FS input setup before I2S_TX_BCLK/I2S_RX_BCLK | 30   | —    | ns          |
| S14  | I2S_TX_FS/I2S_RX_FS input hold after I2S_TX_BCLK/I2S_RX_BCLK   | 3    | —    | ns          |
| S15  | I2S_TX_BCLK to I2S_TXD/I2S_TX_FS output valid                  | —    | 63   | ns          |
| S16  | I2S_TX_BCLK to I2S_TXD/I2S_TX_FS output invalid                | 0    | —    | ns          |
| S17  | I2S_RXD setup before I2S_RX_BCLK                               | 30   | —    | ns          |
| S18  | I2S_RXD hold after I2S_RX_BCLK                                 | 2    | —    | ns          |
| S19  | I2S_TX_FS input assertion to I2S_TXD output valid <sup>1</sup> | —    | 72   | ns          |

1. Applies to first bit in each frame and only if the TCR4[FSE] bit is clear



**Figure 22. I2S/SAI timing — slave modes**

## 6.9 Human-machine interfaces (HMI)

### 6.9.1 TSI electrical specifications

**Table 38. TSI electrical specifications**

| Symbol             | Description                        | Min. | Typ. | Max. | Unit | Notes |
|--------------------|------------------------------------|------|------|------|------|-------|
| V <sub>DDTSI</sub> | Operating voltage                  | 1.71 | —    | 3.6  | V    |       |
| C <sub>ELE</sub>   | Target electrode capacitance range | 1    | 20   | 500  | pF   | 1     |

Table continues on the next page...

**Table 38. TSI electrical specifications (continued)**

| Symbol               | Description  | Min.   | Typ.    | Max.    | Unit     | Notes |
|----------------------|--|--------|---------|---------|----------|-------|
| f <sub>REFmax</sub>  | Reference oscillator frequency   | —      | 8       | 15      | MHz      | 2, 3  |
| f <sub>ELEmax</sub>  | Electrode oscillator frequency   | —      | 1       | 1.8     | MHz      | 2, 4  |
| C <sub>REF</sub>     | Internal reference capacitor   | —      | 1       | —       | pF       |       |
| V <sub>DELTA</sub>   | Oscillator delta voltage   | —      | 500     | —       | mV       | 2, 5  |
| I <sub>REF</sub>     | Reference oscillator current source base current<br>• 2 μA setting (REFCHRG = 0)<br>• 32 μA setting (REFCHRG = 15) | —<br>— | 2<br>36 | 3<br>50 | μA       | 2, 6  |
| I <sub>ELE</sub>     | Electrode oscillator current source base current<br>• 2 μA setting (EXTCHRG = 0)<br>• 32 μA setting (EXTCHRG = 15) | —<br>— | 2<br>36 | 3<br>50 | μA       | 2, 7  |
| Pres5                | Electrode capacitance measurement precision  | —      | 8.3333  | 38400   | fF/count | 8     |
| Pres20               | Electrode capacitance measurement precision  | —      | 8.3333  | 38400   | fF/count | 9     |
| Pres100              | Electrode capacitance measurement precision  | —      | 8.3333  | 38400   | fF/count | 10    |
| MaxSens              | Maximum sensitivity  | 0.008  | 1.46    | —       | fF/count | 11    |
| Res                  | Resolution   | —      | —       | 16      | bits     |       |
| T <sub>Con20</sub>   | Response time @ 20 pF  | 8      | 15      | 25      | μs       | 12    |
| I <sub>TSI_RUN</sub> | Current added in run mode  | —      | 55      | —       | μA       |       |
| I <sub>TSI_LP</sub>  | Low power mode current adder   | —      | 1.3     | 2.5     | μA       | 13    |

- The TSI module is functional with capacitance values outside this range. However, optimal performance is not guaranteed.
- Fixed external capacitance of 20 pF.
- REFCHRG = 2, EXTCHRG=0.
- REFCHRG = 0, EXTCHRG = 10.
- V<sub>DD</sub> = 3.0 V.
- The programmable current source value is generated by multiplying the SCANC[REFCHRG] value and the base current.
- The programmable current source value is generated by multiplying the SCANC[EXTCHRG] value and the base current.
- Measured with a 5 pF electrode, reference oscillator frequency of 10 MHz, PS = 128, NSCN = 8; I<sub>ext</sub> = 16.
- Measured with a 20 pF electrode, reference oscillator frequency of 10 MHz, PS = 128, NSCN = 2; I<sub>ext</sub> = 16.
- Measured with a 20 pF electrode, reference oscillator frequency of 10 MHz, PS = 16, NSCN = 3; I<sub>ext</sub> = 16.
- Sensitivity defines the minimum capacitance change when a single count from the TSI module changes. Sensitivity depends on the configuration used. The documented values are provided as examples calculated for a specific configuration of operating conditions using the following equation:  $(C_{ref} * I_{ext}) / (I_{ref} * PS * NSCN)$

The typical value is calculated with the following configuration:

$$I_{ext} = 6 \mu A \text{ (EXTCHRG = 2), PS = 128, NSCN = 2, } I_{ref} = 16 \mu A \text{ (REFCHRG = 7), } C_{ref} = 1.0 \text{ pF}$$

The minimum value is calculated with the following configuration:

$$I_{ext} = 2 \mu A \text{ (EXTCHRG = 0), PS = 128, NSCN = 32, } I_{ref} = 32 \mu A \text{ (REFCHRG = 15), } C_{ref} = 0.5 \text{ pF}$$

The highest possible sensitivity is the minimum value because it represents the smallest possible capacitance that can be measured by a single count.

- Time to do one complete measurement of the electrode. Sensitivity resolution of 0.0133 pF, PS = 0, NSCN = 0, 1 electrode, EXTCHRG = 7.
- REFCHRG=0, EXTCHRG=4, PS=7, NSCN=0F, LPSCNITV=F, LPO is selected (1 kHz), and fixed external capacitance of 20 pF. Data is captured with an average of 7 periods window.

## 7 Dimensions

### 7.1 Obtaining package dimensions

Package dimensions are provided in package drawings.

To find a package drawing, go to <http://www.freescale.com> and perform a keyword search for the drawing's document number:

| If you want the drawing for this package | Then use this document number |
|--|-------------------------------|
| 64-pin LQFP                              | 98ASS23234W                   |
| 64-pin MAPBGA                            | 98ASA00420D                   |

## 8 Pinout

### 8.1 K10 Signal Multiplexing and Pin Assignments

The following table shows the signals available on each pin and the locations of these pins on the devices supported by this document. The Port Control Module is responsible for selecting which ALT functionality is available on each pin.

| 64 MAP BGA | 64 LQFP | Pin Name         | Default   | ALT0      | ALT1             | ALT2      | ALT3        | ALT4       | ALT5 | ALT6        | ALT7       | EzPort |
|------------|---------|------------------|-----------|-----------|------------------|-----------|-------------|------------|------|-------------|------------|--------|
| A1         | 1       | PTE0             | DISABLED  |           | PTE0             |           | UART1_TX    |            |      |             | RTC_CLKOUT |        |
| B1         | 2       | PTE1/<br>LLWU_P0 | DISABLED  |           | PTE1/<br>LLWU_P0 |           | UART1_RX    |            |      |             |            |        |
| C5         | 3       | VDD              | VDD       | VDD       |                  |           |             |            |      |             |            |        |
| C4         | 4       | VSS              | VSS       | VSS       |                  |           |             |            |      |             |            |        |
| E1         | 5       | PTE16            | ADC0_SE4a | ADC0_SE4a | PTE16            | SPI0_PCS0 | UART2_TX    | FTM_CLKIN0 |      | FTM0_FLT3   |            |        |
| D1         | 6       | PTE17            | ADC0_SE5a | ADC0_SE5a | PTE17            | SPI0_SCK  | UART2_RX    | FTM_CLKIN1 |      | LPTMR0_ALT3 |            |        |
| E2         | 7       | PTE18            | ADC0_SE6a | ADC0_SE6a | PTE18            | SPI0_SOUT | UART2_CTS_b | I2C0_SDA   |      |             |            |        |
| D2         | 8       | PTE19            | ADC0_SE7a | ADC0_SE7a | PTE19            | SPI0_SIN  | UART2_RTS_b | I2C0_SCL   |      |             |            |        |
| G1         | 9       | ADC0_DP0         | ADC0_DP0  | ADC0_DP0  |                  |           |             |            |      |             |            |        |
| F1         | 10      | ADC0_DM0         | ADC0_DM0  | ADC0_DM0  |                  |           |             |            |      |             |            |        |
| G2         | 11      | ADC0_DP3         | ADC0_DP3  | ADC0_DP3  |                  |           |             |            |      |             |            |        |

| 64 MAP BGA | 64 LQFP | Pin Name                           | Default                            | ALT0                               | ALT1              | ALT2                                | ALT3             | ALT4       | ALT5 | ALT6             | ALT7                   | EzPort   |
|------------|---------|------------------------------------|------------------------------------|------------------------------------|-------------------|-------------------------------------|------------------|------------|------|------------------|------------------------|----------|
| F2         | 12      | ADC0_DM3                           | ADC0_DM3                           | ADC0_DM3                           |                   |                                     |                  |            |      |                  |                        |          |
| F4         | 13      | VDDA                               | VDDA                               | VDDA                               |                   |                                     |                  |            |      |                  |                        |          |
| G4         | 14      | VREFH                              | VREFH                              | VREFH                              |                   |                                     |                  |            |      |                  |                        |          |
| G3         | 15      | VREFL                              | VREFL                              | VREFL                              |                   |                                     |                  |            |      |                  |                        |          |
| F3         | 16      | VSSA                               | VSSA                               | VSSA                               |                   |                                     |                  |            |      |                  |                        |          |
| H1         | 17      | VREF_OUT/<br>CMP1_IN5/<br>CMP0_IN5 | VREF_OUT/<br>CMP1_IN5/<br>CMP0_IN5 | VREF_OUT/<br>CMP1_IN5/<br>CMP0_IN5 |                   |                                     |                  |            |      |                  |                        |          |
| H2         | 18      | CMP1_IN3/<br>ADC0_SE23             | CMP1_IN3/<br>ADC0_SE23             | CMP1_IN3/<br>ADC0_SE23             |                   |                                     |                  |            |      |                  |                        |          |
| H3         | 19      | XTAL32                             | XTAL32                             | XTAL32                             |                   |                                     |                  |            |      |                  |                        |          |
| H4         | 20      | EXTAL32                            | EXTAL32                            | EXTAL32                            |                   |                                     |                  |            |      |                  |                        |          |
| H5         | 21      | VBAT                               | VBAT                               | VBAT                               |                   |                                     |                  |            |      |                  |                        |          |
| D3         | 22      | PTA0                               | JTAG_TCLK/<br>SWD_CLK/<br>EZP_CLK  | TSIO_CH1                           | PTA0              | UART0_CTS_<br>b/<br>UART0_COL_<br>b | FTM0_CH5         |            |      |                  | JTAG_TCLK/<br>SWD_CLK  | EZP_CLK  |
| D4         | 23      | PTA1                               | JTAG_TDI/<br>EZP_DI                | TSIO_CH2                           | PTA1              | UART0_RX                            | FTM0_CH6         |            |      |                  | JTAG_TDI               | EZP_DI   |
| E5         | 24      | PTA2                               | JTAG_TDO/<br>TRACE_SWO/<br>EZP_DO  | TSIO_CH3                           | PTA2              | UART0_TX                            | FTM0_CH7         |            |      |                  | JTAG_TDO/<br>TRACE_SWO | EZP_DO   |
| D5         | 25      | PTA3                               | JTAG_TMS/<br>SWD_DIO               | TSIO_CH4                           | PTA3              | UART0_RTS_<br>b                     | FTM0_CH0         |            |      |                  | JTAG_TMS/<br>SWD_DIO   |          |
| G5         | 26      | PTA4/<br>LLWU_P3                   | NMI_b/<br>EZP_CS_b                 | TSIO_CH5                           | PTA4/<br>LLWU_P3  |                                     | FTM0_CH1         |            |      |                  | NMI_b                  | EZP_CS_b |
| F5         | 27      | PTA5                               | DISABLED                           |                                    | PTA5              |                                     | FTM0_CH2         |            |      | I2S0_TX_<br>BCLK | JTAG_TRST_<br>b        |          |
| H6         | 28      | PTA12                              | DISABLED                           |                                    | PTA12             |                                     | FTM1_CH0         |            |      | I2S0_TXD0        | FTM1_QD_<br>PHA        |          |
| G6         | 29      | PTA13/<br>LLWU_P4                  | DISABLED                           |                                    | PTA13/<br>LLWU_P4 |                                     | FTM1_CH1         |            |      | I2S0_TX_FS       | FTM1_QD_<br>PHB        |          |
| G7         | 30      | VDD                                | VDD                                | VDD                                |                   |                                     |                  |            |      |                  |                        |          |
| H7         | 31      | VSS                                | VSS                                | VSS                                |                   |                                     |                  |            |      |                  |                        |          |
| H8         | 32      | PTA18                              | EXTAL0                             | EXTAL0                             | PTA18             |                                     | FTM0_FLT2        | FTM_CLKIN0 |      |                  |                        |          |
| G8         | 33      | PTA19                              | XTAL0                              | XTAL0                              | PTA19             |                                     | FTM1_FLT0        | FTM_CLKIN1 |      | LPTMR0_<br>ALT1  |                        |          |
| F8         | 34      | RESET_b                            | RESET_b                            | RESET_b                            |                   |                                     |                  |            |      |                  |                        |          |
| F7         | 35      | PTB0/<br>LLWU_P5                   | ADC0_SE8/<br>TSIO_CH0              | ADC0_SE8/<br>TSIO_CH0              | PTB0/<br>LLWU_P5  | I2C0_SCL                            | FTM1_CH0         |            |      |                  | FTM1_QD_<br>PHA        |          |
| F6         | 36      | PTB1                               | ADC0_SE9/<br>TSIO_CH6              | ADC0_SE9/<br>TSIO_CH6              | PTB1              | I2C0_SDA                            | FTM1_CH1         |            |      |                  | FTM1_QD_<br>PHB        |          |
| E7         | 37      | PTB2                               | ADC0_SE12/<br>TSIO_CH7             | ADC0_SE12/<br>TSIO_CH7             | PTB2              | I2C0_SCL                            | UART0_RTS_<br>b  |            |      |                  | FTM0_FLT3              |          |
| E8         | 38      | PTB3                               | ADC0_SE13/<br>TSIO_CH8             | ADC0_SE13/<br>TSIO_CH8             | PTB3              | I2C0_SDA                            | UART0_CTS_<br>b/ |            |      |                  | FTM0_FLT0              |          |

## Pinout

| 64 MAP BGA | 64 LQFP | Pin Name           | Default                              | ALT0                                 | ALT1               | ALT2      | ALT3                        | ALT4         | ALT5 | ALT6         | ALT7 | EzPort |
|------------|---------|--------------------|--------------------------------------|--------------------------------------|--------------------|-----------|-----------------------------|--------------|------|--------------|------|--------|
|            |         |                    |                                      |                                      |                    |           | UART0_COL_b                 |              |      |              |      |        |
| E6         | 39      | PTB16              | TSIO_CH9                             | TSIO_CH9                             | PTB16              |           | UART0_RX                    |              |      | EWM_IN       |      |        |
| D7         | 40      | PTB17              | TSIO_CH10                            | TSIO_CH10                            | PTB17              |           | UART0_TX                    |              |      | EWM_OUT_b    |      |        |
| D6         | 41      | PTB18              | TSIO_CH11                            | TSIO_CH11                            | PTB18              |           |                             | I2S0_TX_BCLK |      |              |      |        |
| C7         | 42      | PTB19              | TSIO_CH12                            | TSIO_CH12                            | PTB19              |           |                             | I2S0_TX_FS   |      |              |      |        |
| D8         | 43      | PTC0               | ADC0_SE14/<br>TSIO_CH13              | ADC0_SE14/<br>TSIO_CH13              | PTC0               | SPI0_PCS4 | PDB0_EXTRG                  |              |      |              |      |        |
| C6         | 44      | PTC1/<br>LLWU_P6   | ADC0_SE15/<br>TSIO_CH14              | ADC0_SE15/<br>TSIO_CH14              | PTC1/<br>LLWU_P6   | SPI0_PCS3 | UART1_RTS_b                 | FTM0_CH0     |      | I2S0_TXD0    |      |        |
| B7         | 45      | PTC2               | ADC0_SE4b/<br>CMP1_IN0/<br>TSIO_CH15 | ADC0_SE4b/<br>CMP1_IN0/<br>TSIO_CH15 | PTC2               | SPI0_PCS2 | UART1_CTS_b                 | FTM0_CH1     |      | I2S0_TX_FS   |      |        |
| C8         | 46      | PTC3/<br>LLWU_P7   | CMP1_IN1                             | CMP1_IN1                             | PTC3/<br>LLWU_P7   | SPI0_PCS1 | UART1_RX                    | FTM0_CH2     |      | I2S0_TX_BCLK |      |        |
| E3         | 47      | VSS                | VSS                                  | VSS                                  |                    |           |                             |              |      |              |      |        |
| E4         | 48      | VDD                | VDD                                  | VDD                                  |                    |           |                             |              |      |              |      |        |
| B8         | 49      | PTC4/<br>LLWU_P8   | DISABLED                             |                                      | PTC4/<br>LLWU_P8   | SPI0_PCS0 | UART1_TX                    | FTM0_CH3     |      | CMP1_OUT     |      |        |
| A8         | 50      | PTC5/<br>LLWU_P9   | DISABLED                             |                                      | PTC5/<br>LLWU_P9   | SPI0_SCK  | LPTMR0_ALT2                 | I2S0_RXD0    |      | CMP0_OUT     |      |        |
| A7         | 51      | PTC6/<br>LLWU_P10  | CMP0_IN0                             | CMP0_IN0                             | PTC6/<br>LLWU_P10  | SPI0_SOUT | PDB0_EXTRG                  | I2S0_RX_BCLK |      | I2S0_MCLK    |      |        |
| B6         | 52      | PTC7               | CMP0_IN1                             | CMP0_IN1                             | PTC7               | SPI0_SIN  |                             | I2S0_RX_FS   |      |              |      |        |
| A6         | 53      | PTC8               | CMP0_IN2                             | CMP0_IN2                             | PTC8               |           |                             | I2S0_MCLK    |      |              |      |        |
| B5         | 54      | PTC9               | CMP0_IN3                             | CMP0_IN3                             | PTC9               |           |                             | I2S0_RX_BCLK |      |              |      |        |
| B4         | 55      | PTC10              | DISABLED                             |                                      | PTC10              |           |                             | I2S0_RX_FS   |      |              |      |        |
| A5         | 56      | PTC11/<br>LLWU_P11 | DISABLED                             |                                      | PTC11/<br>LLWU_P11 |           |                             |              |      |              |      |        |
| C3         | 57      | PTD0/<br>LLWU_P12  | DISABLED                             |                                      | PTD0/<br>LLWU_P12  | SPI0_PCS0 | UART2_RTS_b                 |              |      |              |      |        |
| A4         | 58      | PTD1               | ADC0_SE5b                            | ADC0_SE5b                            | PTD1               | SPI0_SCK  | UART2_CTS_b                 |              |      |              |      |        |
| C2         | 59      | PTD2/<br>LLWU_P13  | DISABLED                             |                                      | PTD2/<br>LLWU_P13  | SPI0_SOUT | UART2_RX                    |              |      |              |      |        |
| B3         | 60      | PTD3               | DISABLED                             |                                      | PTD3               | SPI0_SIN  | UART2_TX                    |              |      |              |      |        |
| A3         | 61      | PTD4/<br>LLWU_P14  | DISABLED                             |                                      | PTD4/<br>LLWU_P14  | SPI0_PCS1 | UART0_RTS_b                 | FTM0_CH4     |      | EWM_IN       |      |        |
| C1         | 62      | PTD5               | ADC0_SE6b                            | ADC0_SE6b                            | PTD5               | SPI0_PCS2 | UART0_CTS_b/<br>UART0_COL_b | FTM0_CH5     |      | EWM_OUT_b    |      |        |
| B2         | 63      | PTD6/<br>LLWU_P15  | ADC0_SE7b                            | ADC0_SE7b                            | PTD6/<br>LLWU_P15  | SPI0_PCS3 | UART0_RX                    | FTM0_CH6     |      | FTM0_FLT0    |      |        |



| 64<br>MAP<br>BGA | 64<br>LQFP | Pin Name | Default  | ALT0 | ALT1 | ALT2    | ALT3     | ALT4     | ALT5 | ALT6      | ALT7 | EzPort |
|------------------|------------|----------|----------|------|------|---------|----------|----------|------|-----------|------|--------|
| A2               | 64         | PTD7     | DISABLED |      | PTD7 | CMT_IRO | UART0_TX | FTMQ_CH7 |      | FTMQ_FLT1 |      |        |

## 8.2 K10 Pinouts

The below figure shows the pinout diagram for the devices supported by this document. Many signals may be multiplexed onto a single pin. To determine what signals can be used on which pin, see the previous section.

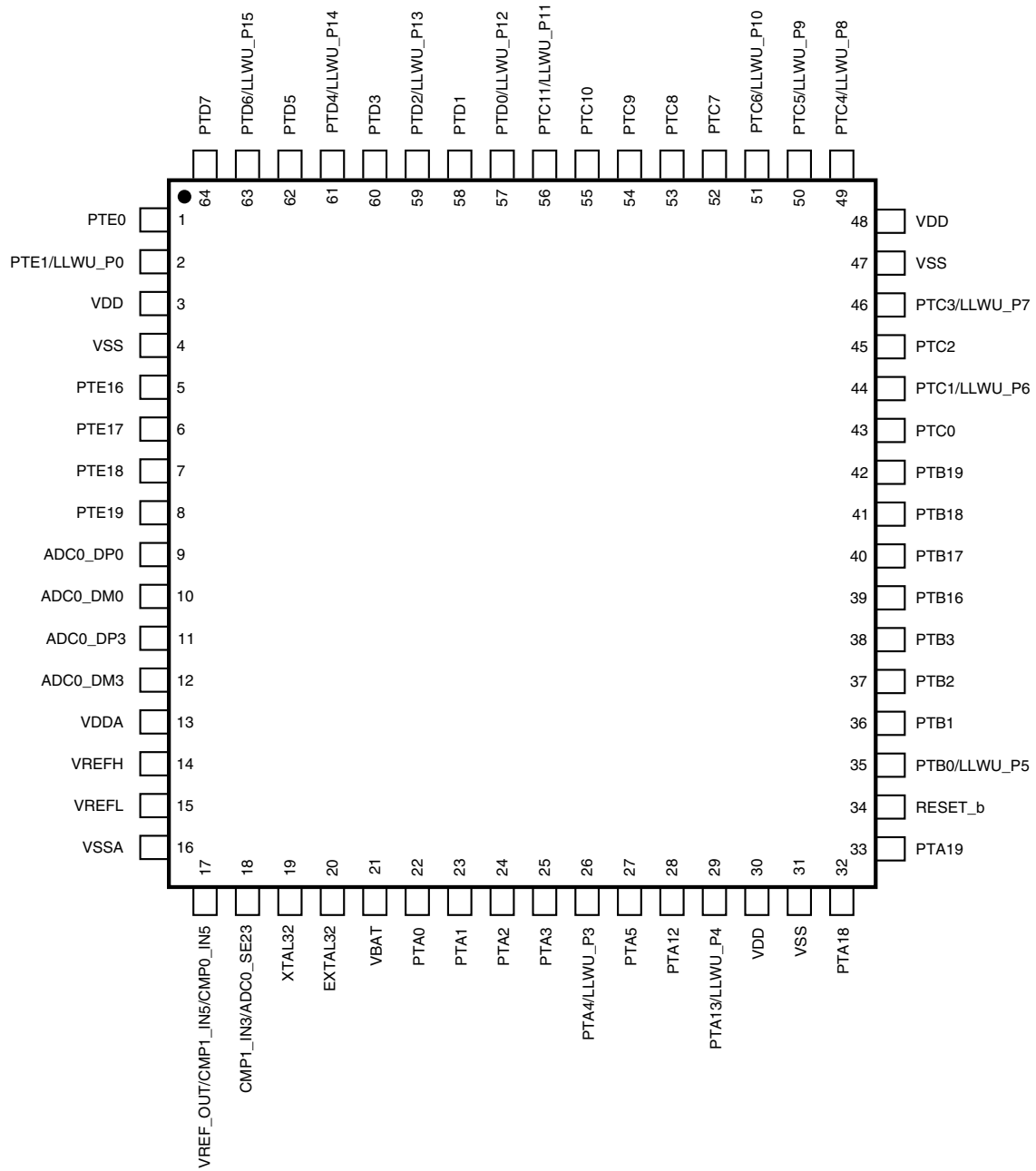


Figure 23. K10 64 LQFP Pinout Diagram

|   |                                    |                        |                   |         |                    |                   |                   |                  |   |
|---|------------------------------------|------------------------|-------------------|---------|--------------------|-------------------|-------------------|------------------|---|
|   | 1                                  | 2                      | 3                 | 4       | 5                  | 6                 | 7                 | 8                |   |
| A | PTE0                               | PTD7                   | PTD4/<br>LLWU_P14 | PTD1    | PTC11/<br>LLWU_P11 | PTC8              | PTC6/<br>LLWU_P10 | PTC5/<br>LLWU_P9 | A |
| B | PTE1/<br>LLWU_P0                   | PTD6/<br>LLWU_P15      | PTD3              | PTC10   | PTC9               | PTC7              | PTC2              | PTC4/<br>LLWU_P8 | B |
| C | PTD5                               | PTD2/<br>LLWU_P13      | PTD0/<br>LLWU_P12 | VSS     | VDD                | PTC1/<br>LLWU_P6  | PTB19             | PTC3/<br>LLWU_P7 | C |
| D | PTE17                              | PTE19                  | PTA0              | PTA1    | PTA3               | PTB18             | PTB17             | PTC0             | D |
| E | PTE16                              | PTE18                  | VSS               | VDD     | PTA2               | PTB16             | PTB2              | PTB3             | E |
| F | ADC0_DM0                           | ADC0_DM3               | VSSA              | VDDA    | PTA5               | PTB1              | PTB0/<br>LLWU_P5  | RESET_b          | F |
| G | ADC0_DP0                           | ADC0_DP3               | VREFL             | VREFH   | PTA4/<br>LLWU_P3   | PTA13/<br>LLWU_P4 | VDD               | PTA19            | G |
| H | VREF_OUT/<br>CMP1_IN5/<br>CMP0_IN5 | CMP1_IN3/<br>ADC0_SE23 | XTAL32            | EXTAL32 | VBAT               | PTA12             | VSS               | PTA18            | H |
|   | 1                                  | 2                      | 3                 | 4       | 5                  | 6                 | 7                 | 8                |   |

Figure 24. K10 64 MAPBGA Pinout Diagram

## 9 Revision History

The following table provides a revision history for this document.

**Table 39. Revision History**

| Rev. No. | Date   | Substantial Changes   |
|----------|--------|---|
| 2        | 2/2012 | Initial public release  |
| 3        | 4/2012 | <ul style="list-style-type: none"> <li>Replaced TBDs throughout.</li> <li>Updated "Power mode transition operating behaviors" table.</li> <li>Updated "Power consumption operating behaviors" table.</li> <li>For "Diagram: Typical IDD_RUN operating behavior" section, added "VLPR mode supply current vs. core frequency" figure.</li> <li>Updated "EMC radiated emissions operating behaviors" section.</li> <li>Updated "Thermal operating requirements" section.</li> <li>Updated "MCG specifications" table.</li> <li>Updated "VREF full-range operating behaviors" table.</li> <li>Updated "I2S/SAI Switching Specifications" section.</li> <li>Updated "TSI electrical specifications" table.</li> </ul> |

*Table continues on the next page...*

**Table 39. Revision History (continued)**

| Rev. No. | Date   | Substantial Changes   |
|----------|--------|---|
| 4        | 5/2012 | <ul style="list-style-type: none"><li>• For the "32kHz oscillator frequency specifications", added specifications for an externally driven clock.</li><li>• Renamed section "Flash current and power specifications" to section "Flash high voltage current behaviors" and improved the specifications.</li><li>• For the "VREF full-range operating behaviors" table, removed the Ac (aging coefficient) specification.</li><li>• Corrected the following DSPI switching specifications: tightened DS5, DS6, and DS7; relaxed DS11 and DS13.</li><li>• Removed references to USB as non-applicable.</li><li>• For the "TSI electrical specifications", changed and clarified the example calculations for the MaxSens specification.</li></ul> |

## How to Reach Us:

### Home Page:

[www.freescale.com](http://www.freescale.com)

### Web Support:

<http://www.freescale.com/support>

### USA/Europe or Locations Not Listed:

Freescale Semiconductor  
Technical Information Center, EL516  
2100 East Elliot Road  
Tempe, Arizona 85284  
+1-800-521-6274 or +1-480-768-2130  
[www.freescale.com/support](http://www.freescale.com/support)

### Europe, Middle East, and Africa:

Freescale Halbleiter Deutschland GmbH  
Technical Information Center  
Schatzbogen 7  
81829 Muenchen, Germany  
+44 1296 380 456 (English)  
+46 8 52200080 (English)  
+49 89 92103 559 (German)  
+33 1 69 35 48 48 (French)  
[www.freescale.com/support](http://www.freescale.com/support)

### Japan:

Freescale Semiconductor Japan Ltd.  
Headquarters  
ARCO Tower 15F  
1-8-1, Shimo-Meguro, Meguro-ku,  
Tokyo 153-0064  
Japan  
0120 191014 or +81 3 5437 9125  
[support.japan@freescale.com](mailto:support.japan@freescale.com)

### Asia/Pacific:

Freescale Semiconductor China Ltd.  
Exchange Building 23F  
No. 118 Jianguo Road  
Chaoyang District  
Beijing 100022  
China  
+86 10 5879 8000  
[support.asia@freescale.com](mailto:support.asia@freescale.com)

Information in this document is provided solely to enable system and software implementers to use Freescale Semiconductors products. There are no express or implied copyright licenses granted hereunder to design or fabricate any integrated circuits or integrated circuits based on the information in this document.

Freescale Semiconductor reserves the right to make changes without further notice to any products herein. Freescale Semiconductor makes no warranty, representation, or guarantee regarding the suitability of its products for any particular purpose, nor does Freescale Semiconductor assume any liability arising out of the application or use of any product or circuit, and specifically disclaims any liability, including without limitation consequential or incidental damages. "Typical" parameters that may be provided in Freescale Semiconductor data sheets and/or specifications can and do vary in different applications and actual performance may vary over time. All operating parameters, including "Typicals", must be validated for each customer application by customer's technical experts. Freescale Semiconductor does not convey any license under its patent rights nor the rights of others. Freescale Semiconductor products are not designed, intended, or authorized for use as components in systems intended for surgical implant into the body, or other applications intended to support or sustain life, or for any other application in which failure of the Freescale Semiconductor product could create a situation where personal injury or death may occur. Should Buyer purchase or use Freescale Semiconductor products for any such unintended or unauthorized application, Buyer shall indemnify Freescale Semiconductor and its officers, employees, subsidiaries, affiliates, and distributors harmless against all claims, costs, damages, and expenses, and reasonable attorney fees arising out of, directly or indirectly, any claim of personal injury or death associated with such unintended or unauthorized use, even if such claims alleges that Freescale Semiconductor was negligent regarding the design or manufacture of the part.

RoHS-compliant and/or Pb-free versions of Freescale products have the functionality and electrical characteristics as their non-RoHS-complaint and/or non-Pb-free counterparts. For further information, see <http://www.freescale.com> or contact your Freescale sales representative.

For information on Freescale's Environmental Products program, go to <http://www.freescale.com/epp>.

Freescale™ and the Freescale logo are trademarks of Freescale Semiconductor, Inc. All other product or service names are the property of their respective owners.

© 2011–2012 Freescale Semiconductor, Inc.

