



# MFRC522

## Contactless reader IC

Rev. 3.4 — 5 March 2010  
112134

Product data sheet  
PUBLIC

## 1. Introduction

---

This document describes the functionality and electrical specifications of the contactless reader/writer MFRC522.

## 2. General description

---

The MFRC522 is a highly integrated reader/writer IC for contactless communication at 13.56 MHz. The MFRC522 reader supports ISO/IEC 14443 A/MIFARE mode.

The MFRC522's internal transmitter is able to drive a reader/writer antenna designed to communicate with ISO/IEC 14443 A/MIFARE cards and transponders without additional active circuitry. The receiver module provides a robust and efficient implementation for demodulating and decoding signals from ISO/IEC 14443 A/MIFARE compatible cards and transponders. The digital module manages the complete ISO/IEC 14443 A framing and error detection (parity and CRC) functionality.

The MFRC522 supports MF1xxS20, MF1xxS70 and MF1xxS50 products. The MFRC522 supports contactless communication and uses MIFARE higher transfer speeds up to 848 kBd in both directions.

The following host interfaces are provided:

- Serial Peripheral Interface (SPI)
- Serial UART (similar to RS232 with voltage levels dependant on pin voltage supply)
- I<sup>2</sup>C-bus interface

## 3. Features and benefits

---

- Highly integrated analog circuitry to demodulate and decode responses
- Buffered output drivers for connecting an antenna with the minimum number of external components
- Supports ISO/IEC 14443 A/MIFARE
- Typical operating distance in Read/Write mode up to 50 mm depending on the antenna size and tuning
- Supports MF1xxS20, MF1xxS70 and MF1xxS50 encryption in Read/Write mode
- Supports ISO/IEC 14443 A higher transfer speed communication up to 848 kBd
- Supports MFIN/MFOUT
- Additional internal power supply to the smart card IC connected via MFIN/MFOUT
- Supported host interfaces



- ◆ SPI up to 10 Mbit/s
- ◆ I<sup>2</sup>C-bus interface up to 400 kBd in Fast mode, up to 3400 kBd in High-speed mode
- ◆ RS232 Serial UART up to 1228.8 kBd, with voltage levels dependant on pin voltage supply
- FIFO buffer handles 64 byte send and receive
- Flexible interrupt modes
- Hard reset with low power function
- Power-down by software mode
- Programmable timer
- Internal oscillator for connection to 27.12 MHz quartz crystal
- 2.5 V to 3.3 V power supply
- CRC coprocessor
- Programmable I/O pins
- Internal self-test

## 4. Quick reference data

**Table 1. Quick reference data**

Symbol	Parameter	Conditions	Min	Typ	Max	Unit
V <sub>DDA</sub>	analog supply voltage	V <sub>DD(PVDD)</sub> ≤ V <sub>DDA</sub> = V <sub>DDD</sub> = V <sub>DD(TVDD)</sub> ; V <sub>SSA</sub> = V <sub>SSD</sub> = V <sub>SS(PVSS)</sub> = V <sub>SS(TVSS)</sub> = 0 V	[1][2] 2.5	3.3	3.6	V
V <sub>DDD</sub>	digital supply voltage		2.5	3.3	3.6	V
V <sub>DD(TVDD)</sub>	TVDD supply voltage		2.5	3.3	3.6	V
V <sub>DD(PVDD)</sub>	PVDD supply voltage		[3] 1.6	1.8	3.6	V
V <sub>DD(SVDD)</sub>	SVDD supply voltage	V <sub>SSA</sub> = V <sub>SSD</sub> = V <sub>SS(PVSS)</sub> = V <sub>SS(TVSS)</sub> = 0 V	1.6	-	3.6	V
I <sub>pd</sub>	power-down current	V <sub>DDA</sub> = V <sub>DDD</sub> = V <sub>DD(TVDD)</sub> = V <sub>DD(PVDD)</sub> = 3 V hard power-down; pin NRSTPD set LOW	[4] -	-	5	μA
		soft power-down; RF level detector on	[4] -	-	10	μA
I <sub>DDD</sub>	digital supply current	pin DVDD; V <sub>DDD</sub> = 3 V	-	6.5	9	mA
I <sub>DDA</sub>	analog supply current	pin AVDD; V <sub>DDA</sub> = 3 V, CommandReg register's RcvOff bit = 0	-	7	10	mA
		pin AVDD; receiver switched off; V <sub>DDA</sub> = 3 V, CommandReg register's RcvOff bit = 1	-	3	5	mA
I <sub>DD(PVDD)</sub>	PVDD supply current	pin PVDD	[5] -	-	40	mA
I <sub>DD(TVDD)</sub>	TVDD supply current	pin TVDD; continuous wave	[6][7][8] -	60	100	mA
T <sub>amb</sub>	ambient temperature	HVQFN32	-25	-	+85	°C

- [1] Supply voltages below 3 V reduce the performance in, for example, the achievable operating distance.
- [2] V<sub>DDA</sub>, V<sub>DDD</sub> and V<sub>DD(TVDD)</sub> must always be the same voltage.
- [3] V<sub>DD(PVDD)</sub> must always be the same or lower voltage than V<sub>DDD</sub>.
- [4] I<sub>pd</sub> is the total current for all supplies.
- [5] I<sub>DD(PVDD)</sub> depends on the overall load at the digital pins.
- [6] I<sub>DD(TVDD)</sub> depends on V<sub>DD(TVDD)</sub> and the external circuit connected to pins TX1 and TX2.
- [7] During typical circuit operation, the overall current is below 100 mA.
- [8] Typical value using a complementary driver configuration and an antenna matched to 40 Ω between pins TX1 and TX2 at 13.56 MHz.

## 5. Ordering information

**Table 2. Ordering information**

Type number	Package		Version
	Name	Description	
MFRC52201HN1/TRAYB <sup>[1]</sup>	HVQFN32	plastic thermal enhanced very thin quad flat package; no leads; 32 terminal; body 5 × 5 × 0.85 mm	SOT617-1
MFRC52201HN1/TRAYBM <sup>[2]</sup>	HVQFN32	plastic thermal enhanced very thin quad flat package; no leads; 32 terminal; body 5 × 5 × 0.85 mm	SOT617-1

[1] Delivered in one tray.

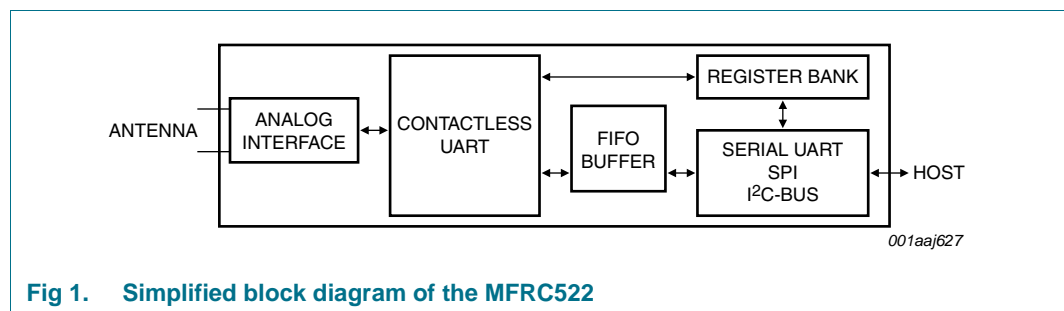
[2] Delivered in five trays.

## 6. Block diagram

The analog interface handles the modulation and demodulation of the analog signals.

The contactless UART manages the protocol requirements for the communication protocols in cooperation with the host. The FIFO buffer ensures fast and convenient data transfer to and from the host and the contactless UART and vice versa.

Various host interfaces are implemented to meet different customer requirements.



**Fig 1. Simplified block diagram of the MFRC522**

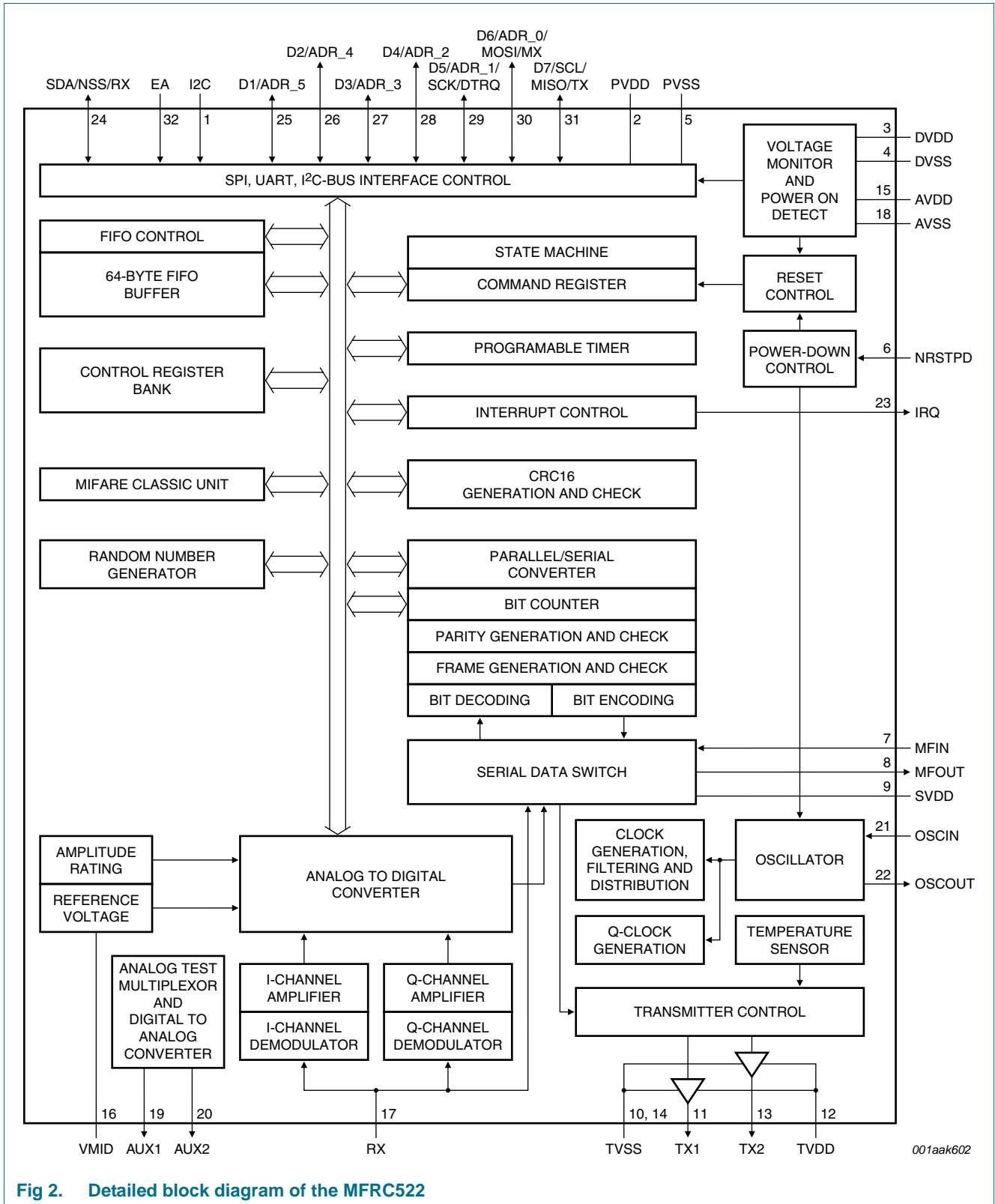
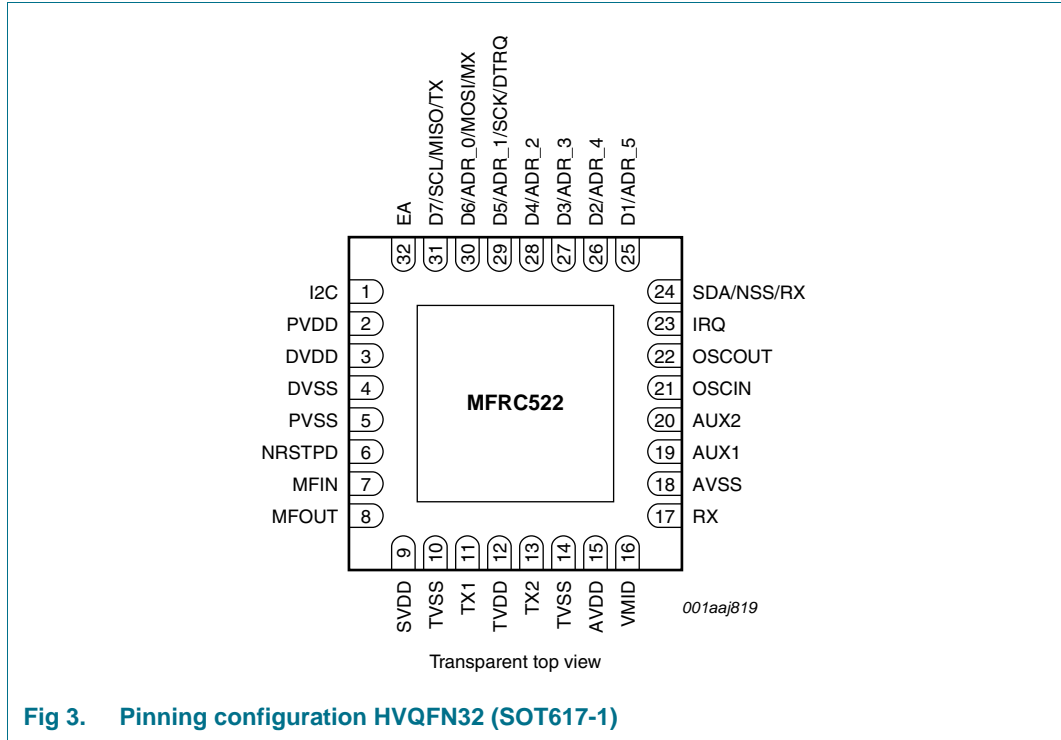


Fig 2. Detailed block diagram of the MFRC522

## 7. Pinning information



**Fig 3. Pinning configuration HVQFN32 (SOT617-1)**

### 7.1 Pin description

**Table 3. Pin description**

Pin	Symbol	Type <sup>[1]</sup>	Description
1	I2C	I	I <sup>2</sup> C-bus enable input <sup>[2]</sup>
2	PVDD	P	pin power supply
3	DVDD	P	digital power supply
4	DVSS	G	digital ground <sup>[3]</sup>
5	PVSS	G	pin power supply ground
6	NRSTPD	I	reset and power-down input: power-down: enabled when LOW; internal current sinks are switched off, the oscillator is inhibited and the input pins are disconnected from the outside world reset: enabled by a positive edge
7	MFIN	I	MIFARE signal input
8	MFOUT	O	MIFARE signal output
9	SVDD	P	MFIN and MFOUT pin power supply
10	TVSS	G	transmitter output stage 1 ground
11	TX1	O	transmitter 1 modulated 13.56 MHz energy carrier output
12	TVDD	P	transmitter power supply: supplies the output stage of transmitters 1 and 2
13	TX2	O	transmitter 2 modulated 13.56 MHz energy carrier output
14	TVSS	G	transmitter output stage 2 ground
15	AVDD	P	analog power supply

Table 3. Pin description ...continued

Pin	Symbol	Type <sup>[1]</sup>	Description
16	VMID	P	internal reference voltage
17	RX	I	RF signal input
18	AVSS	G	analog ground
19	AUX1	O	auxiliary outputs for test purposes
20	AUX2	O	auxiliary outputs for test purposes
21	OSCIN	I	crystal oscillator inverting amplifier input; also the input for an externally generated clock ( $f_{clk} = 27.12$ MHz)
22	OSCOUT	O	crystal oscillator inverting amplifier output
23	IRQ	O	interrupt request output: indicates an interrupt event
24	SDA	I/O	I <sup>2</sup> C-bus serial data line input/output <sup>[2]</sup>
	NSS	I	SPI signal input <sup>[2]</sup>
	RX	I	UART address input <sup>[2]</sup>
25	D1	I/O	test port <sup>[2]</sup>
	ADR_5	I/O	I <sup>2</sup> C-bus address 5 input <sup>[2]</sup>
26	D2	I/O	test port
	ADR_4	I	I <sup>2</sup> C-bus address 4 input <sup>[2]</sup>
27	D3	I/O	test port
	ADR_3	I	I <sup>2</sup> C-bus address 3 input <sup>[2]</sup>
28	D4	I/O	test port
	ADR_2	I	I <sup>2</sup> C-bus address 2 input <sup>[2]</sup>
29	D5	I/O	test port
	ADR_1	I	I <sup>2</sup> C-bus address 1 input <sup>[2]</sup>
	SCK	I	SPI serial clock input <sup>[2]</sup>
	DTRQ	O	UART request to send output to microcontroller <sup>[2]</sup>
30	D6	I/O	test port
	ADR_0	I	I <sup>2</sup> C-bus address 0 input <sup>[2]</sup>
	MOSI	I/O	SPI master out, slave in <sup>[2]</sup>
	MX	O	UART output to microcontroller <sup>[2]</sup>
31	D7	I/O	test port
	SCL	I/O	I <sup>2</sup> C-bus clock input/output <sup>[2]</sup>
	MISO	I/O	SPI master in, slave out <sup>[2]</sup>
	TX	O	UART data output to microcontroller <sup>[2]</sup>
32	EA	I	external address input for coding I <sup>2</sup> C-bus address <sup>[2]</sup>

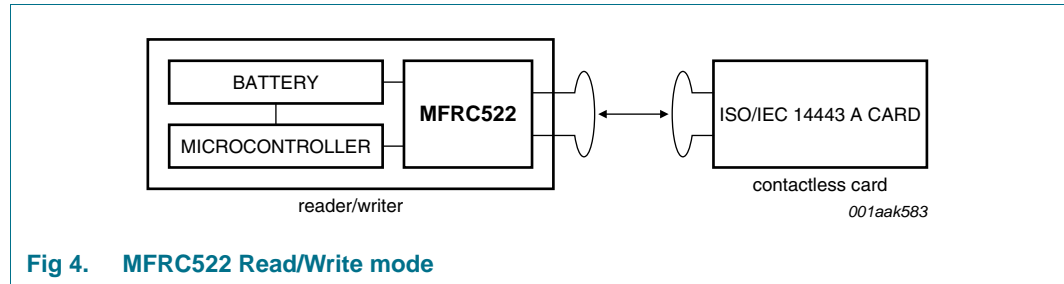
[1] Pin types: I = Input, O = Output, I/O = Input/Output, P = Power and G = Ground.

[2] The pin functionality of these pins is explained in [Section 8.1 "Digital interfaces"](#).

[3] Connection of heatsink pad on package bottom side is not necessary. Optional connection to pin DVSS is possible.

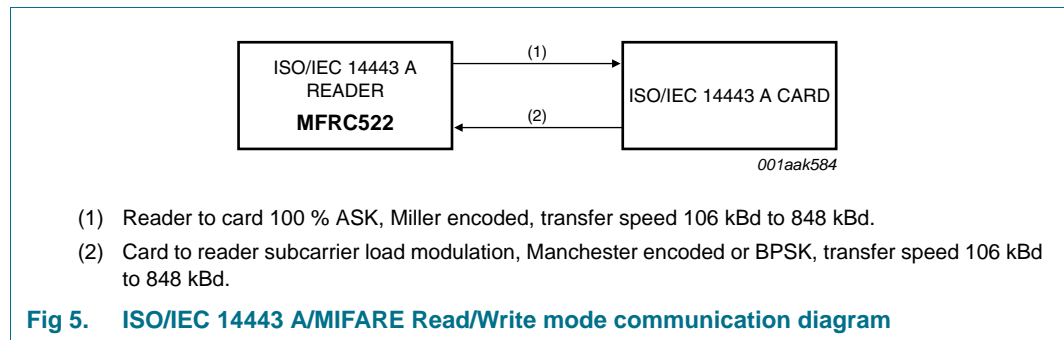
## 8. Functional description

The MFRC522 transmission module supports the Read/Write mode for ISO/IEC 14443 A/MIFARE using various transfer speeds and modulation protocols.



**Fig 4. MFRC522 Read/Write mode**

The physical level communication is shown in [Figure 5](#).



**Fig 5. ISO/IEC 14443 A/MIFARE Read/Write mode communication diagram**

The physical parameters are described in [Table 4](#).

**Table 4. Communication overview for ISO/IEC 14443 A/MIFARE reader/writer**

Communication direction	Signal type	Transfer speed			
		106 kBd	212 kBd	424 kBd	848 kBd
Reader to card (send data from the MFRC522 to a card)	reader side modulation	100 % ASK	100 % ASK	100 % ASK	100 % ASK
	bit encoding	modified Miller encoding	modified Miller encoding	modified Miller encoding	modified Miller encoding
	bit length	128 (13.56 μs)	64 (13.56 μs)	32 (13.56 μs)	16 (13.56 μs)
Card to reader (MFRC522 receives data from a card)	card side modulation	subcarrier load modulation	subcarrier load modulation	subcarrier load modulation	subcarrier load modulation
	subcarrier frequency	13.56 MHz / 16	13.56 MHz / 16	13.56 MHz / 16	13.56 MHz / 16
	bit encoding	Manchester encoding	BPSK	BPSK	BPSK

The MFRC522's contactless UART and dedicated external host must manage the complete ISO/IEC 14443 A/MIFARE protocol. [Figure 6](#) shows the data coding and framing according to ISO/IEC 14443 A/MIFARE.

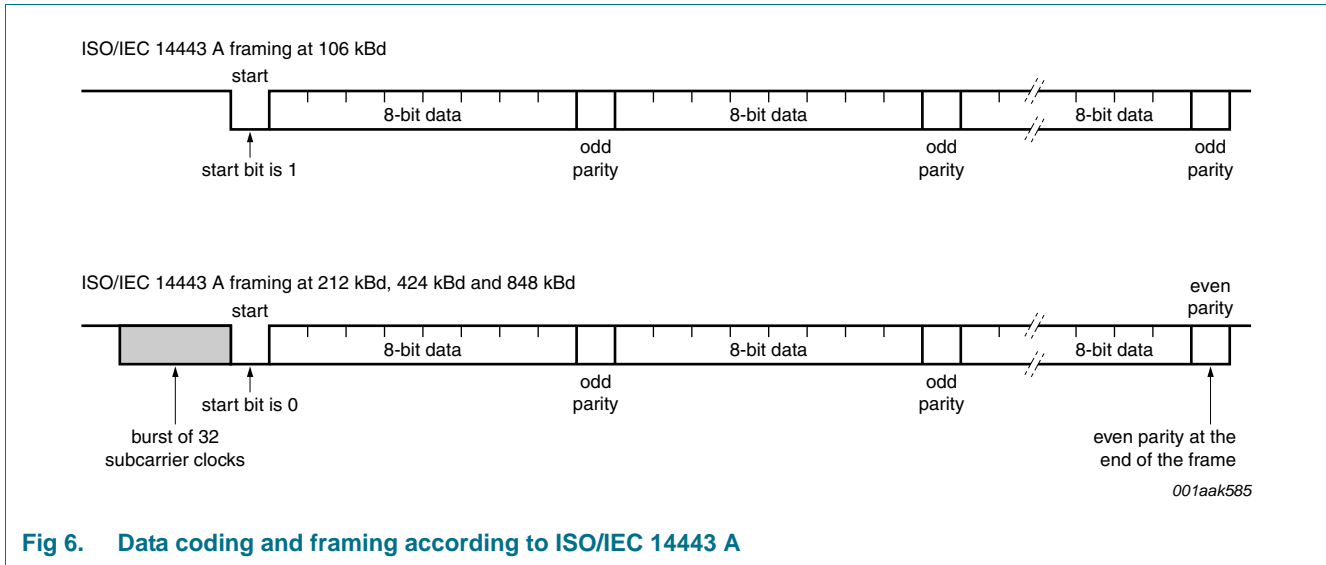


Fig 6. Data coding and framing according to ISO/IEC 14443 A

The internal CRC coprocessor calculates the CRC value based on ISO/IEC 14443 A part 3 and handles parity generation internally according to the transfer speed. Automatic parity generation can be switched off using the MfRxReg register’s ParityDisable bit.

## 8.1 Digital interfaces

### 8.1.1 Automatic microcontroller interface detection

The MFRC522 supports direct interfacing of hosts using SPI, I<sup>2</sup>C-bus or serial UART interfaces. The MFRC522 resets its interface and checks the current host interface type automatically after performing a power-on or hard reset. The MFRC522 identifies the host interface by sensing the logic levels on the control pins after the reset phase. This is done using a combination of fixed pin connections. [Table 5](#) shows the different connection configurations.

Table 5. Connection protocol for detecting different interface types

Pin	Interface type		
	UART (input)	SPI (output)	I <sup>2</sup> C-bus (I/O)
SDA	RX	NSS	SDA
I2C	0	0	1
EA	0	1	EA
D7	TX	MISO	SCL
D6	MX	MOSI	ADR_0
D5	DTRQ	SCK	ADR_1
D4	-	-	ADR_2
D3	-	-	ADR_3
D2	-	-	ADR_4
D1	-	-	ADR_5

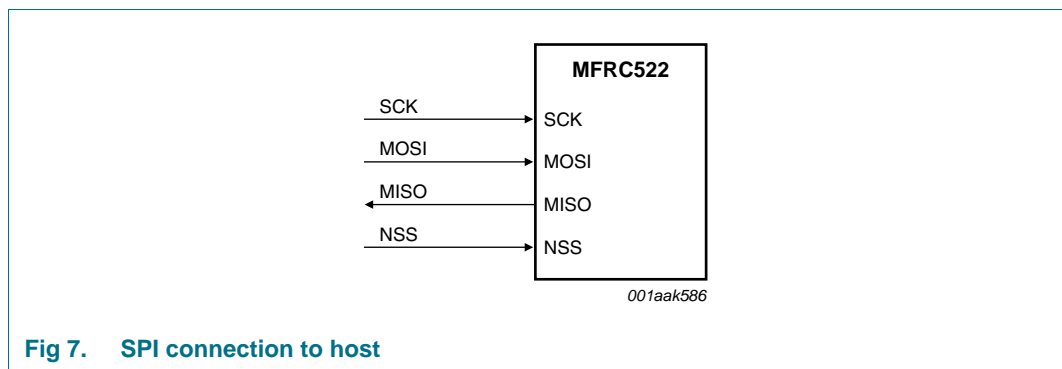


**8.1.2 Serial Peripheral Interface**

A serial peripheral interface (SPI compatible) is supported to enable high-speed communication to the host. The interface can handle data speeds up to 10 Mbit/s. When communicating with a host, the MFRC522 acts as a slave, receiving data from the external host for register settings, sending and receiving data relevant for RF interface communication.

An interface compatible with SPI enables high-speed serial communication between the MFRC522 and a microcontroller. The implemented interface is in accordance with the SPI standard.

The timing specification is given in [Section 14.1 on page 75](#).



**Fig 7. SPI connection to host**

The MFRC522 acts as a slave during SPI communication. The SPI clock signal SCK must be generated by the master. Data communication from the master to the slave uses the MOSI line. The MISO line is used to send data from the MFRC522 to the master.

Data bytes on both MOSI and MISO lines are sent with the MSB first. Data on both MOSI and MISO lines must be stable on the rising edge of the clock and can be changed on the falling edge. Data is provided by the MFRC522 on the falling clock edge and is stable during the rising clock edge.

**8.1.2.1 SPI read data**

Reading data using SPI requires the byte order shown in [Table 6](#) to be used. It is possible to read out up to n-data bytes.

The first byte sent defines both the mode and the address.

**Table 6. MOSI and MISO byte order**

Line	Byte 0	Byte 1	Byte 2	To	Byte n	Byte n + 1
MOSI	address 0	address 1	address 2	...	address n	00
MISO	X <sup>[1]</sup>	data 0	data 1	...	data n – 1	data n

[1] X = Do not care.

**Remark:** The MSB must be sent first.

**8.1.2.2 SPI write data**

To write data to the MFRC522 using SPI requires the byte order shown in [Table 7](#). It is possible to write up to n data bytes by only sending one address byte.

The first send byte defines both the mode and the address byte.

**Table 7. MOSI and MISO byte order**

Line	Byte 0	Byte 1	Byte 2	To	Byte n	Byte n + 1
MOSI	address 0	data 0	data 1	...	data n – 1	data n
MISO	X <sup>[1]</sup>	X <sup>[1]</sup>	X <sup>[1]</sup>	...	X <sup>[1]</sup>	X <sup>[1]</sup>

[1] X = Do not care.

**Remark:** The MSB must be sent first.

**8.1.2.3 SPI address byte**

The address byte must meet the following format.

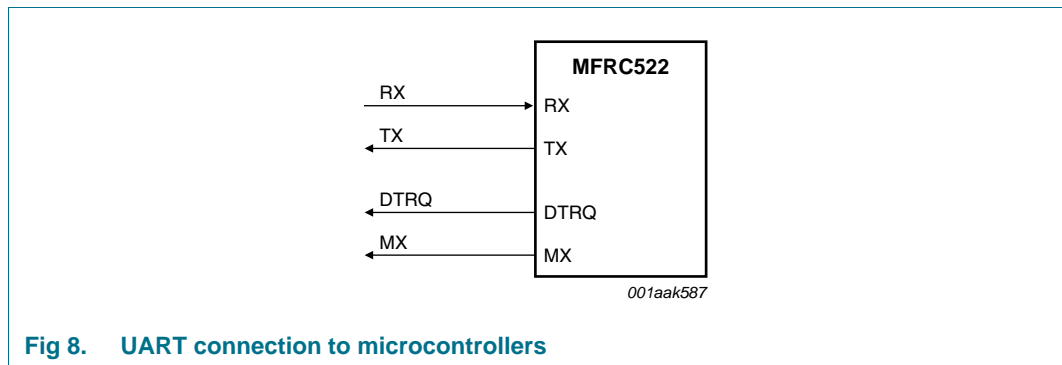
The MSB of the first byte defines the mode used. To read data from the MFRC522 the MSB is set to logic 1. To write data to the MFRC522 the MSB must be set to logic 0. Bits 6 to 1 define the address and the LSB is set to logic 0.

**Table 8. Address byte 0 register; address MOSI**

7 (MSB)	6	5	4	3	2	1	0 (LSB)
1 = read 0 = write	address						0

**8.1.3 UART interface**

**8.1.3.1 Connection to a host**



**Fig 8. UART connection to microcontrollers**

**Remark:** Signals DTRQ and MX can be disabled by clearing TestPinEnReg register's RS232LineEn bit.

### 8.1.3.2 Selectable UART transfer speeds

The internal UART interface is compatible with an RS232 serial interface.

The default transfer speed is 9.6 kBd. To change the transfer speed, the host controller must write a value for the new transfer speed to the SerialSpeedReg register. Bits BR\_T0[2:0] and BR\_T1[4:0] define the factors for setting the transfer speed in the SerialSpeedReg register.

The BR\_T0[2:0] and BR\_T1[4:0] settings are described in [Table 9](#). Examples of different transfer speeds and the relevant register settings are given in [Table 10](#).

**Table 9. BR\_T0 and BR\_T1 settings**

BR_Tn	Bit 0	Bit 1	Bit 2	Bit 3	Bit 4	Bit 5	Bit 6	Bit 7
BR_T0 factor	1	1	2	4	8	16	32	64
BR_T1 range	1 to 32	33 to 64	33 to 64	33 to 64	33 to 64	33 to 64	33 to 64	33 to 64

**Table 10. Selectable UART transfer speeds**

Transfer speed (kBd)	SerialSpeedReg value		Transfer speed accuracy (%) <sup>[1]</sup>
	Decimal	Hexadecimal	
7.2	250	FAh	-0.25
9.6	235	EBh	0.32
14.4	218	DAh	-0.25
19.2	203	CBh	0.32
38.4	171	ABh	0.32
57.6	154	9Ah	-0.25
115.2	122	7Ah	-0.25
128	116	74h	-0.06
230.4	90	5Ah	-0.25
460.8	58	3Ah	-0.25
921.6	28	1Ch	1.45
1228.8	21	15h	0.32

[1] The resulting transfer speed error is less than 1.5 % for all described transfer speeds.

The selectable transfer speeds shown in [Table 10](#) are calculated according to the following equations:

If BR\_T0[2:0] = 0:

$$transfer\ speed = \frac{27.12 \times 10^6}{(BR\_T0 + 1)} \tag{1}$$

If BR\_T0[2:0] > 0:

$$transfer\ speed = \left( \frac{27.12 \times 10^6}{(BR\_T1 + 33)} \right)_{2^{(BR\_T0 - 1)}} \tag{2}$$

**Remark:** Transfer speeds above 1228.8 kBd are not supported.

8.1.3.3 UART framing

Table 11. UART framing

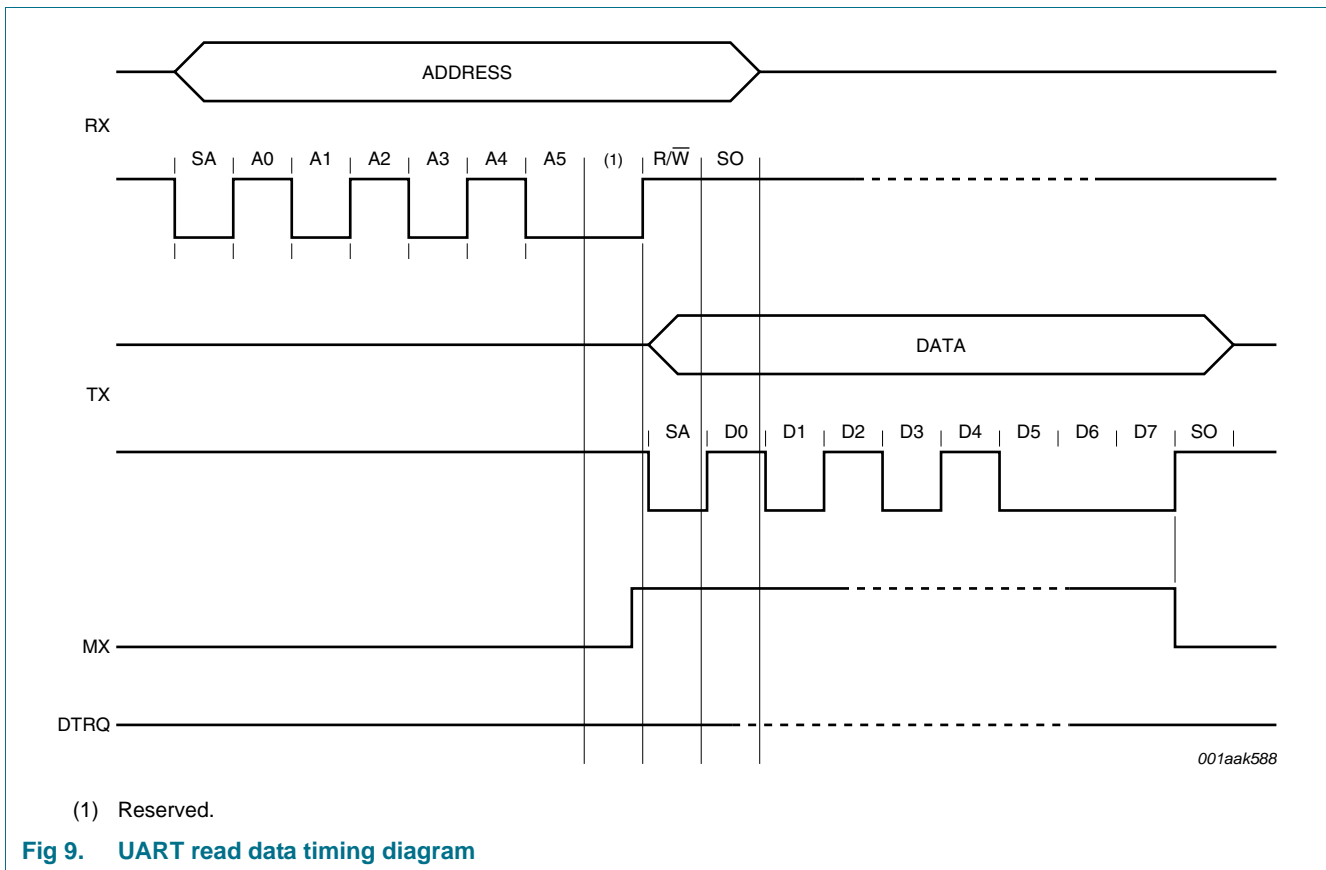
Bit	Length	Value
Start	1-bit	0
Data	8 bits	data
Stop	1-bit	1

**Remark:** The LSB for data and address bytes must be sent first. No parity bit is used during transmission.

**Read data:** To read data using the UART interface, the flow shown in Table 12 must be used. The first byte sent defines both the mode and the address.

Table 12. Read data byte order

Pin	Byte 0	Byte 1
RX (pin 24)	address	-
TX (pin 31)	-	data 0

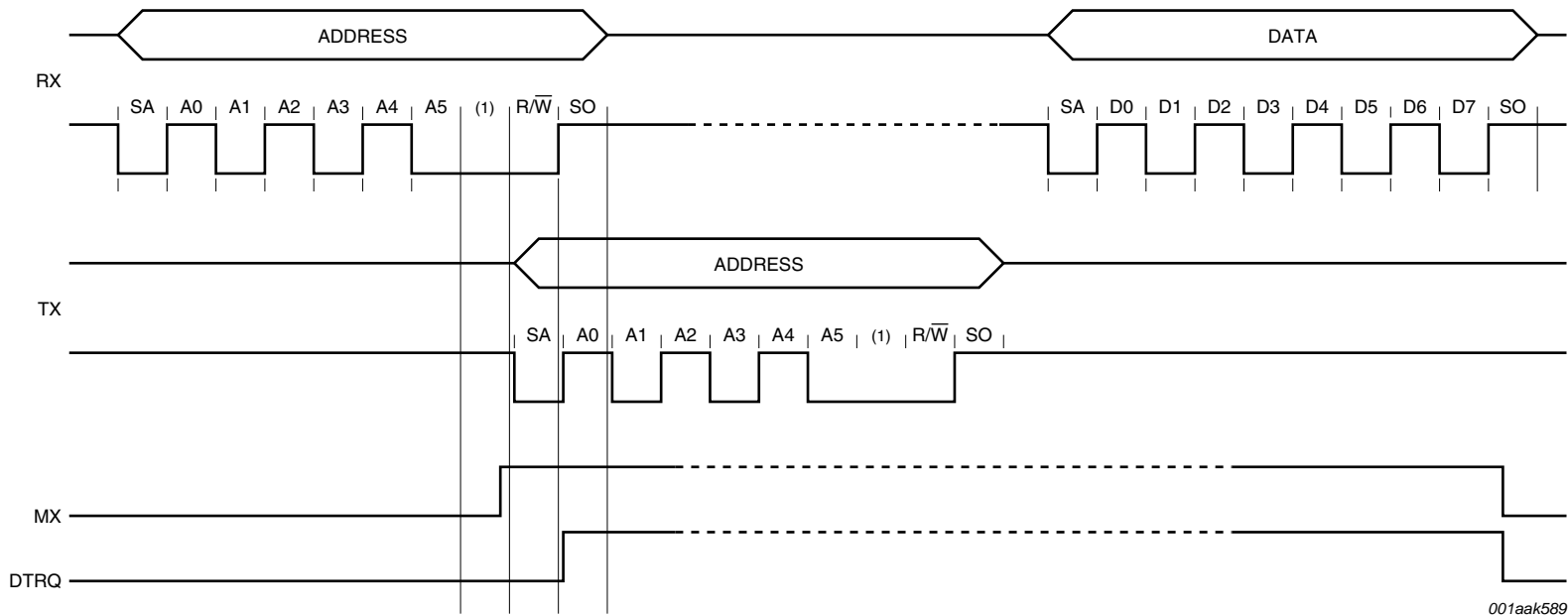


**Write data:** To write data to the MFRC522 using the UART interface, the structure shown in Table 13 must be used.

The first byte sent defines both the mode and the address.

**Table 13. Write data byte order**

<b>Pin</b>	<b>Byte 0</b>	<b>Byte 1</b>
RX (pin 24)	address 0	data 0
TX (pin 31)	-	address 0



001aak589

(1) Reserved.

Fig 10. UART write data timing diagram

**Remark:** The data byte can be sent directly after the address byte on pin RX.

**Address byte:** The address byte has to meet the following format:

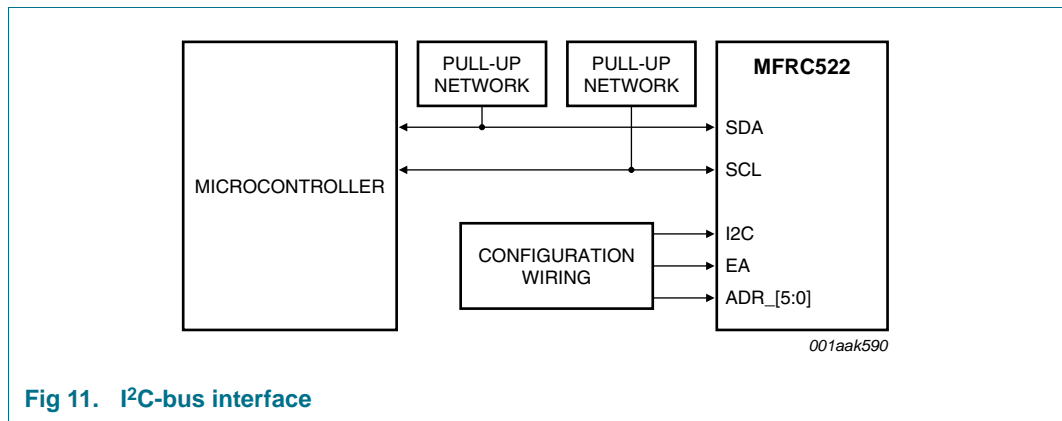
The MSB of the first byte sets the mode used. To read data from the MFRC522, the MSB is set to logic 1. To write data to the MFRC522 the MSB is set to logic 0. Bit 6 is reserved for future use, and bits 5 to 0 define the address; see [Table 14](#).

**Table 14. Address byte 0 register; address MOSI**

7 (MSB)	6	5	4	3	2	1	0 (LSB)
1 = read 0 = write	reserved	address					

**8.1.4 I<sup>2</sup>C-bus interface**

An I<sup>2</sup>C-bus (Inter-IC) interface is supported to enable a low-cost, low pin count serial bus interface to the host. The I<sup>2</sup>C-bus interface is implemented according to NXP Semiconductors' *I<sup>2</sup>C-bus interface specification, rev. 2.1, January 2000*. The interface can only act in Slave mode. Therefore the MFRC522 does not implement clock generation or access arbitration.



**Fig 11. I<sup>2</sup>C-bus interface**

The MFRC522 can act either as a slave receiver or slave transmitter in Standard mode, Fast mode and High-speed mode.

SDA is a bidirectional line connected to a positive supply voltage using a current source or a pull-up resistor. Both SDA and SCL lines are set HIGH when data is not transmitted. The MFRC522 has a 3-state output stage to perform the wired-AND function. Data on the I<sup>2</sup>C-bus can be transferred at data rates of up to 100 kBd in Standard mode, up to 400 kBd in Fast mode or up to 3.4 Mbit/s in High-speed mode.

If the I<sup>2</sup>C-bus interface is selected, spike suppression is activated on lines SCL and SDA as defined in the I<sup>2</sup>C-bus interface specification.

See [Table 155 on page 76](#) for timing requirements.

8.1.4.1 Data validity

Data on the SDA line must be stable during the HIGH clock period. The HIGH or LOW state of the data line must only change when the clock signal on SCL is LOW.

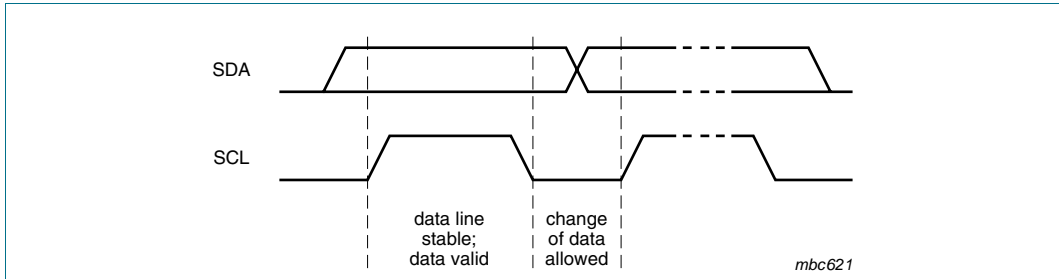


Fig 12. Bit transfer on the I<sup>2</sup>C-bus

8.1.4.2 START and STOP conditions

To manage the data transfer on the I<sup>2</sup>C-bus, unique START (S) and STOP (P) conditions are defined.

- A START condition is defined with a HIGH-to-LOW transition on the SDA line while SCL is HIGH.
- A STOP condition is defined with a LOW-to-HIGH transition on the SDA line while SCL is HIGH.

The I<sup>2</sup>C-bus master always generates the START and STOP conditions. The bus is busy after the START condition. The bus is free again a certain time after the STOP condition.

The bus stays busy if a repeated START (Sr) is generated instead of a STOP condition. The START (S) and repeated START (Sr) conditions are functionally identical. Therefore, S is used as a generic term to represent both the START (S) and repeated START (Sr) conditions.

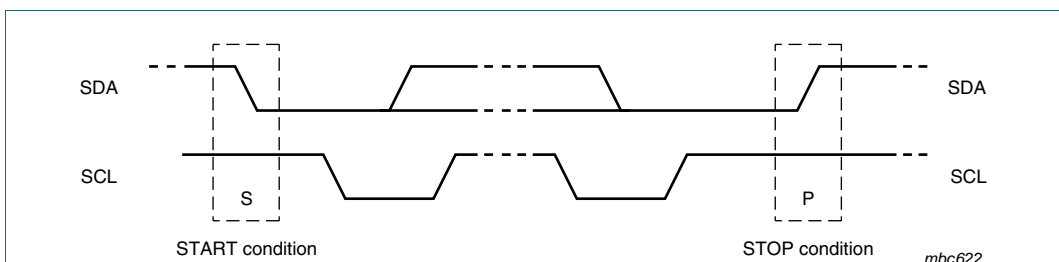


Fig 13. START and STOP conditions

8.1.4.3 Byte format

Each byte must be followed by an acknowledge bit. Data is transferred with the MSB first; see Figure 16. The number of transmitted bytes during one data transfer is unrestricted but must meet the read/write cycle format.



8.1.4.4 Acknowledge

An acknowledge must be sent at the end of one data byte. The acknowledge-related clock pulse is generated by the master. The transmitter of data, either master or slave, releases the SDA line (HIGH) during the acknowledge clock pulse. The receiver pulls down the SDA line during the acknowledge clock pulse so that it remains stable LOW during the HIGH period of this clock pulse.

The master can then generate either a STOP (P) condition to stop the transfer or a repeated START (Sr) condition to start a new transfer.

A master-receiver indicates the end of data to the slave-transmitter by not generating an acknowledge on the last byte that was clocked out by the slave. The slave-transmitter releases the data line to allow the master to generate a STOP (P) or repeated START (Sr) condition.

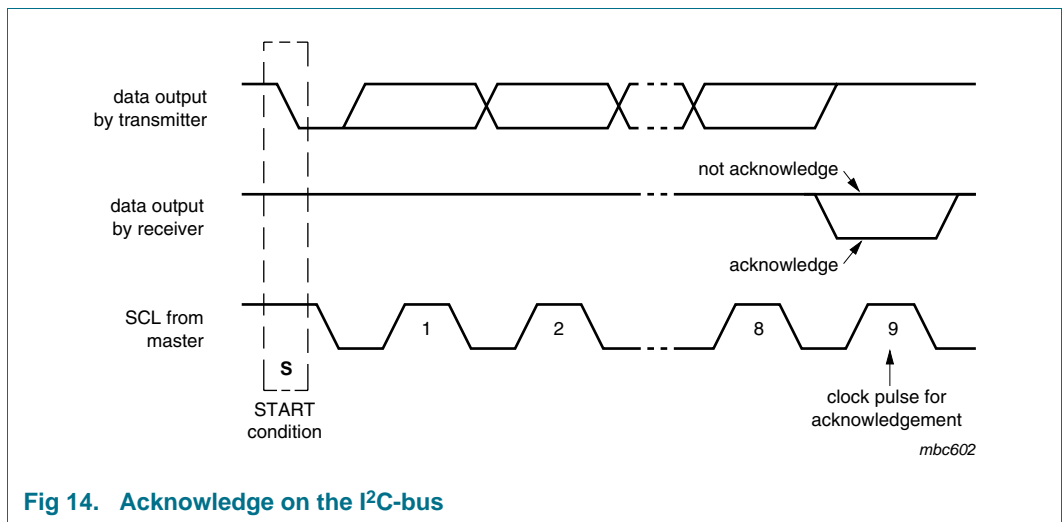


Fig 14. Acknowledge on the I<sup>2</sup>C-bus

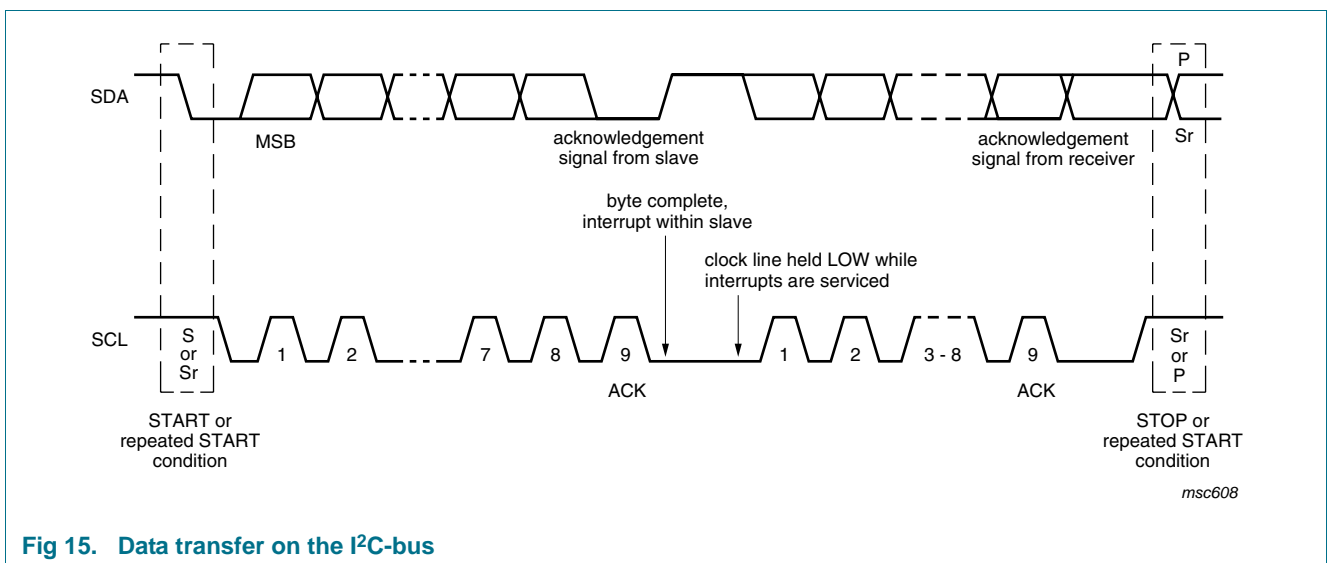


Fig 15. Data transfer on the I<sup>2</sup>C-bus

**8.1.4.5 7-Bit addressing**

During the I<sup>2</sup>C-bus address procedure, the first byte after the START condition is used to determine which slave will be selected by the master.

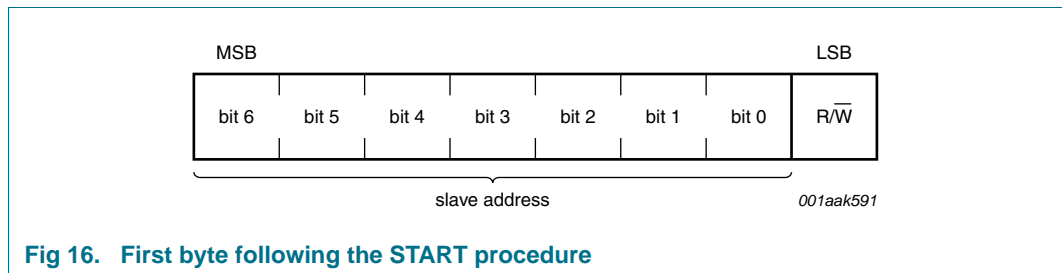
Several address numbers are reserved. During device configuration, the designer must ensure that collisions with these reserved addresses cannot occur. Check the *I<sup>2</sup>C-bus specification* for a complete list of reserved addresses.

The I<sup>2</sup>C-bus address specification is dependent on the definition of pin EA. Immediately after releasing pin NRSTPD or after a power-on reset, the device defines the I<sup>2</sup>C-bus address according to pin EA.

If pin EA is set LOW, the upper 4 bits of the device bus address are reserved by NXP Semiconductors and set to 0101b for all MFRC522 devices. The remaining 3 bits (ADR\_0, ADR\_1, ADR\_2) of the slave address can be freely configured by the customer to prevent collisions with other I<sup>2</sup>C-bus devices.

If pin EA is set HIGH, ADR\_0 to ADR\_5 can be completely specified at the external pins according to [Table 5 on page 8](#). ADR\_6 is always set to logic 0.

In both modes, the external address coding is latched immediately after releasing the reset condition. Further changes at the used pins are not taken into consideration. Depending on the external wiring, the I<sup>2</sup>C-bus address pins can be used for test signal outputs.



**Fig 16. First byte following the START procedure**

**8.1.4.6 Register write access**

To write data from the host controller using the I<sup>2</sup>C-bus to a specific register in the MFRC522 the following frame format must be used.

- The first byte of a frame indicates the device address according to the I<sup>2</sup>C-bus rules.
- The second byte indicates the register address followed by up to n-data bytes.

In one frame all data bytes are written to the same register address. This enables fast FIFO buffer access. The Read/Write (R/ $\overline{W}$ ) bit is set to logic 0.

8.1.4.7 Register read access

To read out data from a specific register address in the MFRC522, the host controller must use the following procedure:

- Firstly, a write access to the specific register address must be performed as indicated in the frame that follows
- The first byte of a frame indicates the device address according to the I<sup>2</sup>C-bus rules
- The second byte indicates the register address. No data bytes are added
- The Read/Write bit is 0

After the write access, read access can start. The host sends the device address of the MFRC522. In response, the MFRC522 sends the content of the read access register. In one frame all data bytes can be read from the same register address. This enables fast FIFO buffer access or register polling.

The Read/Write (R/W) bit is set to logic 1.

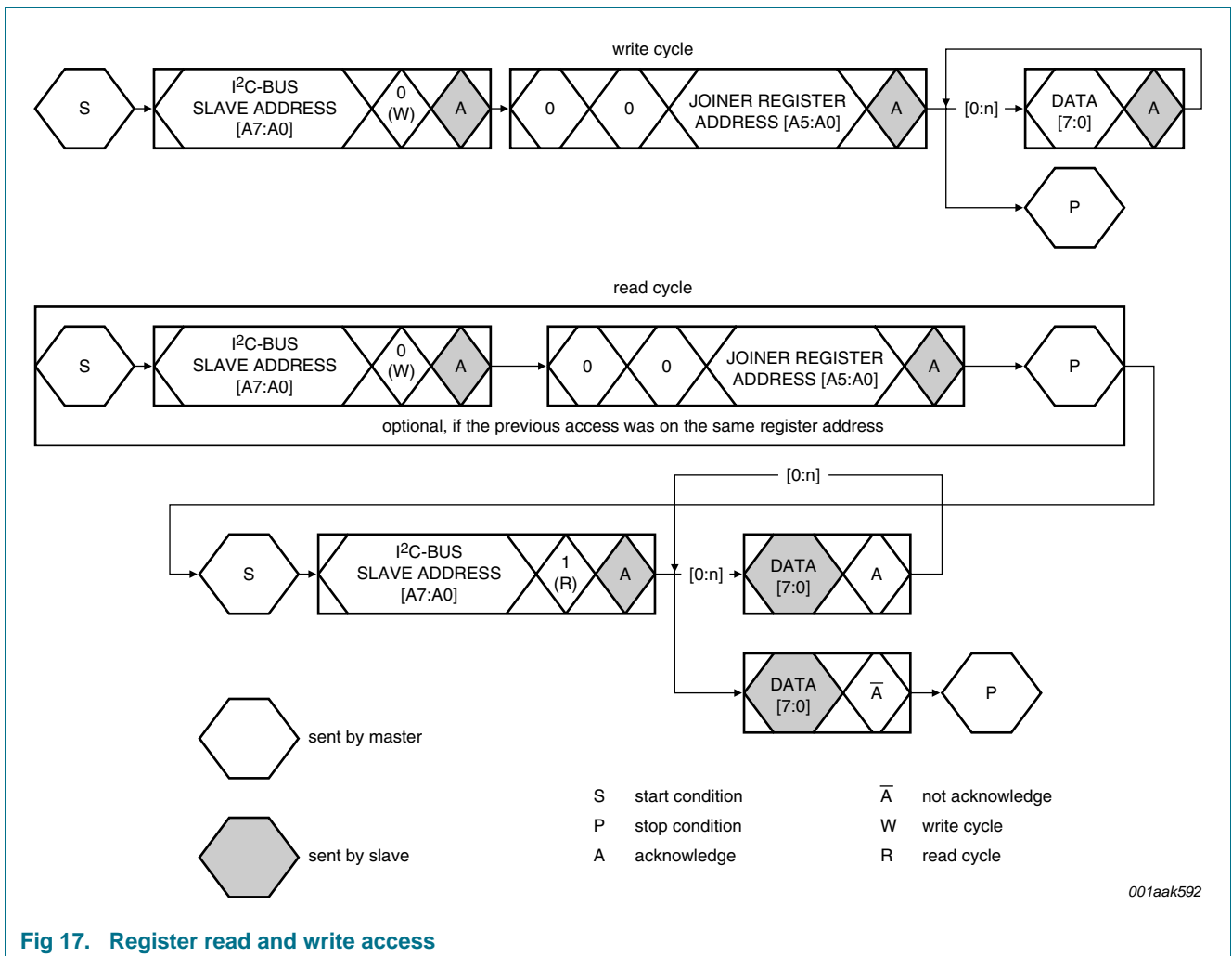


Fig 17. Register read and write access

**8.1.4.8 High-speed mode**

In High-speed mode (HS mode), the device can transfer information at data rates of up to 3.4 Mbit/s, while remaining fully downward-compatible with Fast or Standard mode (F/S mode) for bidirectional communication in a mixed-speed bus system.

**8.1.4.9 High-speed transfer**

To achieve data rates of up to 3.4 Mbit/s the following improvements have been made to I<sup>2</sup>C-bus operation.

- The inputs of the device in HS mode incorporate spike suppression, a Schmitt trigger on the SDA and SCL inputs and different timing constants when compared to F/S mode
- The output buffers of the device in HS mode incorporate slope control of the falling edges of the SDA and SCL signals with different fall times compared to F/S mode

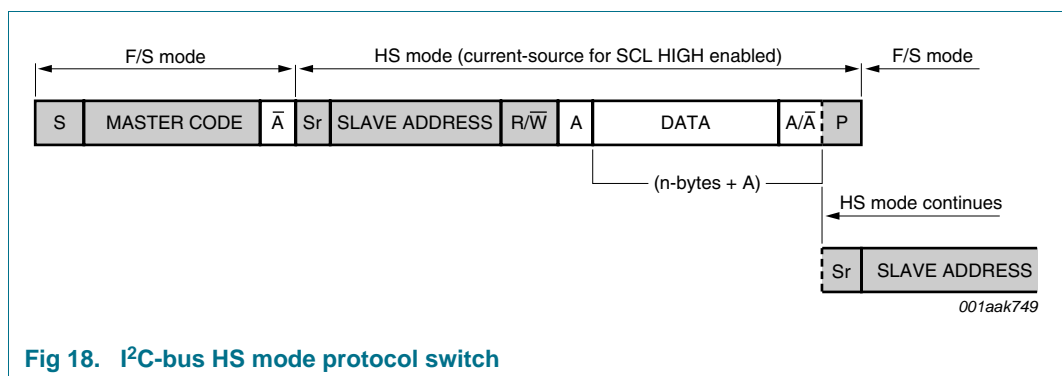
**8.1.4.10 Serial data transfer format in HS mode**

The HS mode serial data transfer format meets the Standard mode I<sup>2</sup>C-bus specification. HS mode can only start after all of the following conditions (all of which are in F/S mode):

1. START condition (S)
2. 8-bit master code (00001XXXb)
3. Not-acknowledge bit ( $\bar{A}$ )

When HS mode starts, the active master sends a repeated START condition (Sr) followed by a 7-bit slave address with a R/W bit address and receives an acknowledge bit (A) from the selected MFRC522.

Data transfer continues in HS mode after the next repeated START (Sr), only switching back to F/S mode after a STOP condition (P). To reduce the overhead of the master code, a master links a number of HS mode transfers, separated by repeated START conditions (Sr).



**Fig 18. I<sup>2</sup>C-bus HS mode protocol switch**

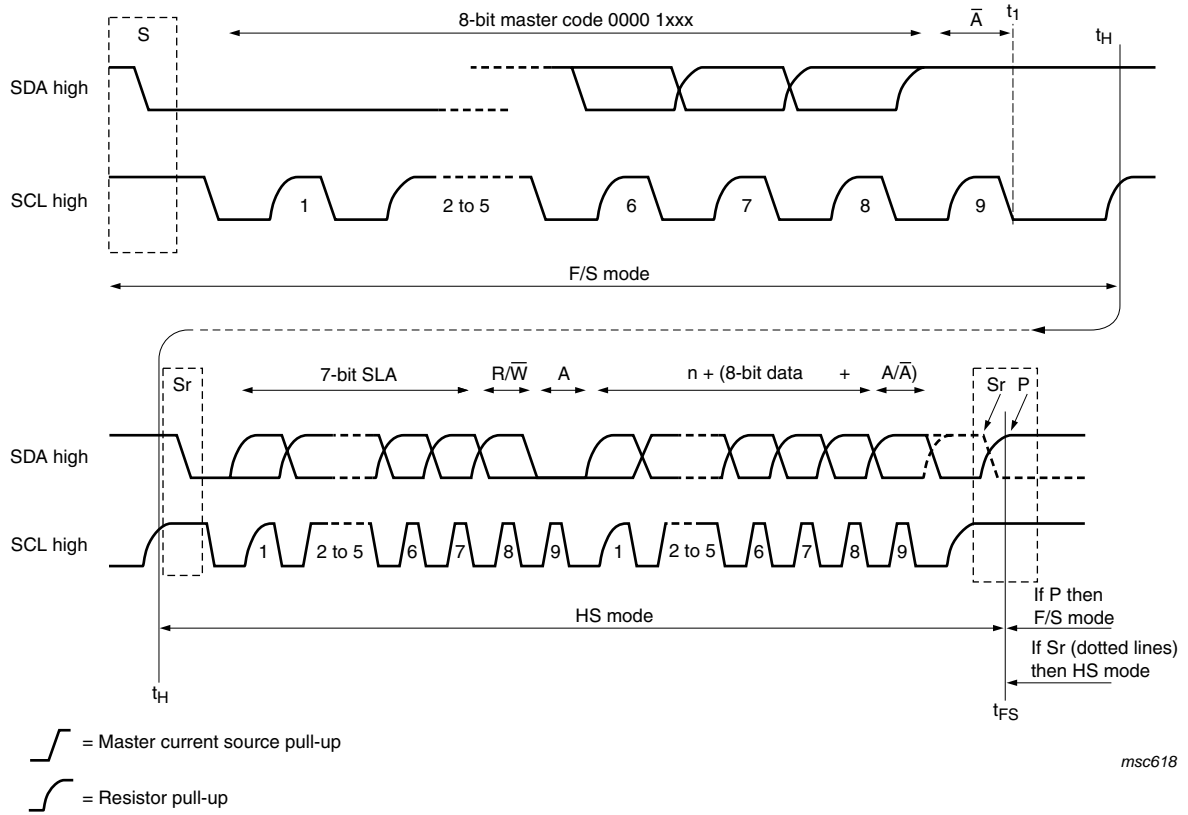


Fig 19. I<sup>2</sup>C-bus HS mode protocol frame

#### 8.1.4.11 Switching between F/S mode and HS mode

After reset and initialization, the MFRC522 is in Fast mode (which is in effect F/S mode as Fast mode is downward-compatible with Standard mode). The connected MFRC522 recognizes the "S 00001XXX A" sequence and switches its internal circuitry from the Fast mode setting to the HS mode setting.

The following actions are taken:

1. Adapt the SDA and SCL input filters according to the spike suppression requirement in HS mode.
2. Adapt the slope control of the SDA output stages.

It is possible for system configurations that do not have other I<sup>2</sup>C-bus devices involved in the communication to switch to HS mode permanently. This is implemented by setting Status2Reg register's I<sup>2</sup>CForceHS bit to logic 1. In permanent HS mode, the master code is not required to be sent. This is not defined in the specification and must only be used when no other devices are connected on the bus. In addition, spikes on the I<sup>2</sup>C-bus lines must be avoided because of the reduced spike suppression.

#### 8.1.4.12 MFRC522 at lower speed modes

MFRC522 is fully downward-compatible and can be connected to an F/S mode I<sup>2</sup>C-bus system. The device stays in F/S mode and communicates at F/S mode speeds because a master code is not transmitted in this configuration.

## 8.2 Analog interface and contactless UART

### 8.2.1 General

The integrated contactless UART supports the external host online with framing and error checking of the protocol requirements up to 848 kBd. An external circuit can be connected to the communication interface pins MFIN and MFOUT to modulate and demodulate the data.

The contactless UART handles the protocol requirements for the communication protocols in cooperation with the host. Protocol handling generates bit and byte-oriented framing. In addition, it handles error detection such as parity and CRC, based on the various supported contactless communication protocols.

**Remark:** The size and tuning of the antenna and the power supply voltage have an important impact on the achievable operating distance.

### 8.2.2 TX p-driver

The signal on pins TX1 and TX2 is the 13.56 MHz energy carrier modulated by an envelope signal. It can be used to drive an antenna directly using a few passive components for matching and filtering; see [Section 15 on page 78](#). The signal on pins TX1 and TX2 can be configured using the TxControlReg register; see [Section 9.3.2.5 on page 48](#).

The modulation index can be set by adjusting the impedance of the drivers. The impedance of the p-driver can be configured using registers CWGsPReg and ModGsPReg. The impedance of the n-driver can be configured using the GsNReg register. The modulation index also depends on the antenna design and tuning.

The TxModeReg and TxSelReg registers control the data rate and framing during transmission and the antenna driver setting to support the different requirements at the different modes and transfer speeds.

**Table 15. Register and bit settings controlling the signal on pin TX1**

Bit Tx1RFEn	Bit Force 100ASK	Bit InvTx1RFOn	Bit InvTx1RFOff	Envelope	Pin TX1	GSPMos	GSNMos	Remarks
0	X <sup>[1]</sup>	X <sup>[1]</sup>	X <sup>[1]</sup>	X <sup>[1]</sup>	X <sup>[1]</sup>	X <sup>[1]</sup>	X <sup>[1]</sup>	not specified if RF is switched off
1	0	0	X <sup>[1]</sup>	0	RF	pMod	nMod	100 % ASK: pin TX1 pulled to logic 0, independent of the InvTx1RFOff bit
				1	RF	pCW	nCW	
	0	1	X <sup>[1]</sup>	0	RF	pMod	nMod	
				1	RF	pCW	nCW	
1	1	X <sup>[1]</sup>	X <sup>[1]</sup>	0	0	pMod	nMod	
				1	RF_n	pCW	nCW	

[1] X = Do not care.

Table 16. Register and bit settings controlling the signal on pin TX2

Bit Tx1RFEn	Bit Force 100ASK	Bit Tx2CW	Bit InvTx2RFOOn	Bit InvTx2RFOff	Envelope	Pin TX2	GSPMos	GSNMos	Remarks	
0	X <sup>[1]</sup>	X <sup>[1]</sup>	X <sup>[1]</sup>	X <sup>[1]</sup>	X <sup>[1]</sup>	X <sup>[1]</sup>	X <sup>[1]</sup>	X <sup>[1]</sup>	not specified if RF is switched off	
1	0	0	0	X <sup>[1]</sup>	0	RF	pMod	nMod	-	
					1	RF	pCW	nCW		
					0	RF_n	pMod	nMod		
					1	RF_n	pCW	nCW		
	1	0	0	X <sup>[1]</sup>	X <sup>[1]</sup>	RF	pCW	nCW	conductance always CW for the Tx2CW bit	
					X <sup>[1]</sup>	RF_n	pCW	nCW		
				1	0	0	pMod	nMod		100 % ASK: pin TX2 pulled to logic 0 (independent of the InvTx2RFOOn/InvTx2RFOff bits)
					1	0	0	pMod		
1	1	0	0	X <sup>[1]</sup>	X <sup>[1]</sup>	RF	pCW	nCW		
					X <sup>[1]</sup>	RF_n	pCW	nCW		
					1	RF_n	pCW	nCW		
					1	RF_n	pCW	nCW		

[1] X = Do not care.

The following abbreviations have been used in [Table 15](#) and [Table 16](#):

- RF: 13.56 MHz clock derived from 27.12 MHz quartz crystal oscillator divided by 2
- RF\_n: inverted 13.56 MHz clock
- GSPMos: conductance, configuration of the PMOS array
- GSNMos: conductance, configuration of the NMOS array
- pCW: PMOS conductance value for continuous wave defined by the CWGsPReg register
- pMod: PMOS conductance value for modulation defined by the ModGsPReg register
- nCW: NMOS conductance value for continuous wave defined by the GsNReg register's CWGsN[3:0] bits
- nMod: NMOS conductance value for modulation defined by the GsNReg register's ModGsN[3:0] bits
- X = do not care.

**Remark:** If only one driver is switched on, the values for CWGsPReg, ModGsPReg and GsNReg registers are used for both drivers.



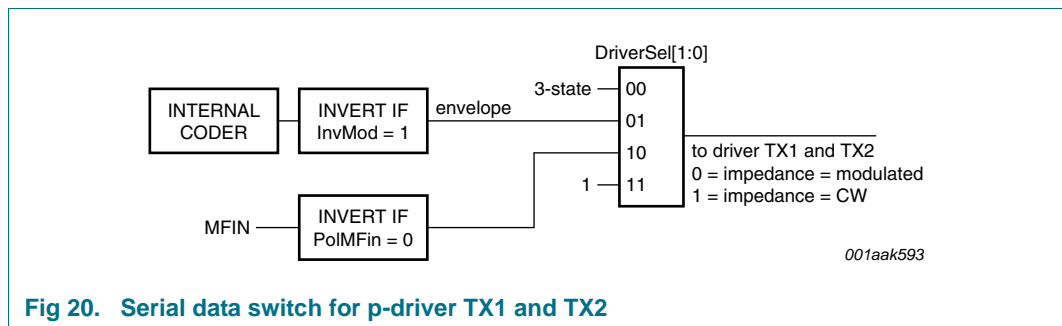
**8.2.3 Serial data switch**

Two main blocks are implemented in the MFRC522. The digital block comprises the state machines, encoder/decoder logic. The analog block comprises the modulator and antenna drivers, the receiver and amplifiers. It is possible for the interface between these two blocks to be configured so that the interfacing signals are routed to pins MFIN and MFOUT.

This topology allows the analog block of the MFRC522 to be connected to the digital block of another device.

The serial signal switch is controlled by the TxSelReg and RxSelReg registers.

Figure 20 shows the serial data switch for p-driver TX1 and TX2.



**Fig 20. Serial data switch for p-driver TX1 and TX2**

**8.2.4 MFIN and MFOUT interface support**

The MFRC522 is divided into a digital circuit block and an analog circuit block. The digital block contains state machines, encoder and decoder logic and so on. The analog block contains the modulator and antenna drivers, receiver and amplifiers. The interface between these two blocks can be configured so that the interfacing signals can be routed to pins MFIN and MFOUT; see Figure 21 on page 26. This configuration is implemented using TxSelReg register’s MFOutSel[3:0] and DriverSel[1:0] bits and RxSelReg register’s UARTSel[1:0] bits.

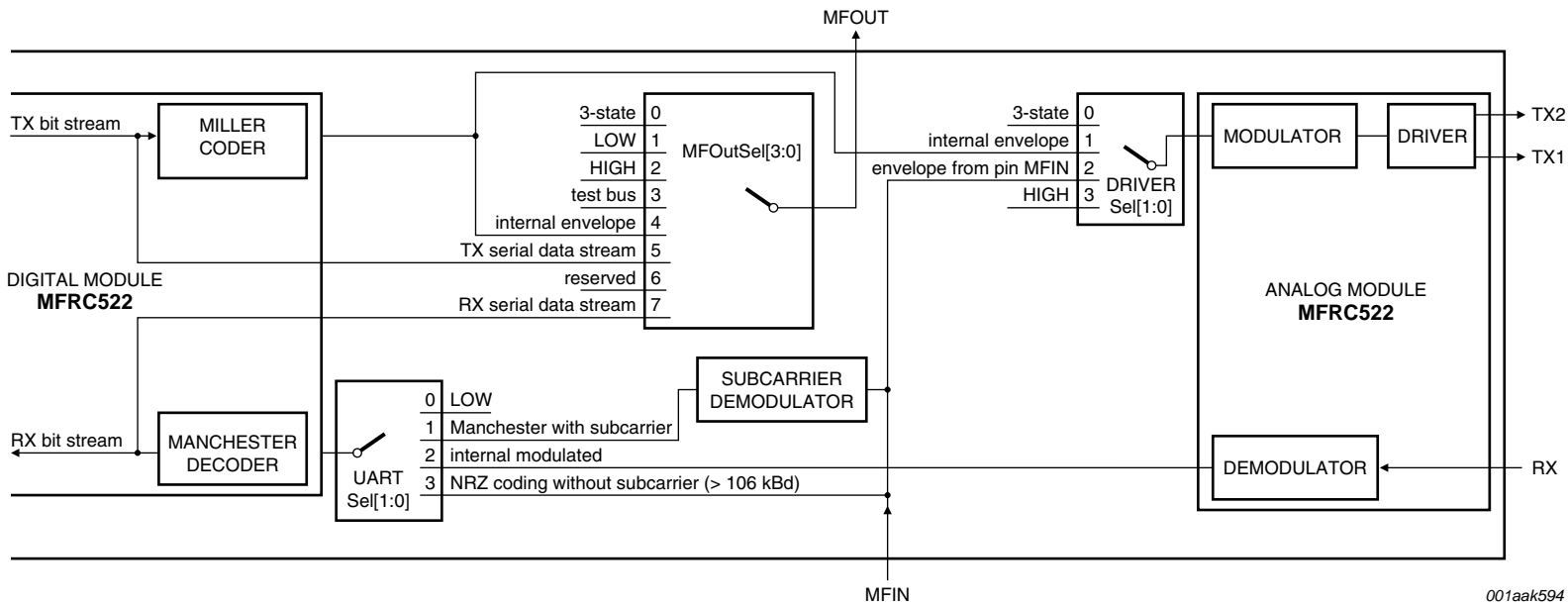
This topology allows some parts of the analog block to be connected to the digital block of another device.

Switch MFOutSel in the TxSelReg register can be used to measure MIFARE and ISO/IEC14443 A related signals. This is especially important during the design-in phase or for test purposes as it enables checking of the transmitted and received data.

The most important use of pins MFIN and MFOUT is found in the active antenna concept. An external active antenna circuit can be connected to the MFRC522’s digital block. Switch MFOutSel must be configured so that the internal Miller encoded signal is sent to pin MFOUT (MFOutSel = 100b). UARTSel[1:0] must be configured to receive a Manchester signal with subcarrier from pin MFIN (UARTSel[1:0] = 01).

It is possible to connect a passive antenna to pins TX1, TX2 and RX (using the appropriate filter and matching circuit) and an active antenna to pins MFOUT and MFIN at the same time. In this configuration, two RF circuits can be driven (one after another) by a single host processor.

**Remark:** Pins MFIN and MFOUT have a dedicated supply on pin SVDD with the ground on pin PVSS. If pin MFIN is not used it must be connected to either pin SVDD or pin PVSS. If pin SVDD is not used it must be connected to either pin DVDD, pin PVDD or any other voltage supply pin.



001aak594

Fig 21. Overview of MFIN and MFOUT signal routing

### 8.2.5 CRC coprocessor

The following CRC coprocessor parameters can be configured:

- The CRC preset value can be either 0000h, 6363h, A671h or FFFFh depending on the ModeReg register's CRCPreset[1:0] bits setting
- The CRC polynomial for the 16-bit CRC is fixed to  $x^{16} + x^{12} + x^5 + 1$
- The CRCResultReg register indicates the result of the CRC calculation. This register is split into two 8-bit registers representing the higher and lower bytes.
- The ModeReg register's MSBFirst bit indicates that data will be loaded with the MSB first.

**Table 17. CRC coprocessor parameters**

Parameter	Value
CRC register length	16-bit CRC
CRC algorithm	algorithm according to ISO/IEC 14443 A and ITU-T
CRC preset value	0000h, 6363h, A671h or FFFFh depending on the setting of the ModeReg register's CRCPreset[1:0] bits

## 8.3 FIFO buffer

An 8 × 64 bit FIFO buffer is used in the MFRC522. It buffers the input and output data stream between the host and the MFRC522's internal state machine. This makes it possible to manage data streams up to 64 bytes long without the need to take timing constraints into account.

### 8.3.1 Accessing the FIFO buffer

The FIFO buffer input and output data bus is connected to the FIFODataReg register. Writing to this register stores one byte in the FIFO buffer and increments the internal FIFO buffer write pointer. Reading from this register shows the FIFO buffer contents stored in the FIFO buffer read pointer and decrements the FIFO buffer read pointer. The distance between the write and read pointer can be obtained by reading the FIFOLevelReg register.

When the microcontroller starts a command, the MFRC522 can, while the command is in progress, access the FIFO buffer according to that command. Only one FIFO buffer has been implemented which can be used for input and output. The microcontroller must ensure that there are not any unintentional FIFO buffer accesses.

### 8.3.2 Controlling the FIFO buffer

The FIFO buffer pointers can be reset by setting FIFOLevelReg register's FlushBuffer bit to logic 1. Consequently, the FIFOLevel[6:0] bits are all set to logic 0 and the ErrorReg register's BufferOvfl bit is cleared. The bytes stored in the FIFO buffer are no longer accessible allowing the FIFO buffer to be filled with another 64 bytes.

### 8.3.3 FIFO buffer status information

The host can get the following FIFO buffer status information:

- Number of bytes stored in the FIFO buffer: FIFOLevelReg register's FIFOLevel[6:0]
- FIFO buffer almost full warning: Status1Reg register's HiAlert bit

- FIFO buffer almost empty warning: Status1Reg register's LoAlert bit
- FIFO buffer overflow warning: ErrorReg register's BufferOvfl bit. The BufferOvfl bit can only be cleared by setting the FIFOLevelReg register's FlushBuffer bit.

The MFRC522 can generate an interrupt signal when:

- ComIEnReg register's LoAlertIEn bit is set to logic 1. It activates pin IRQ when Status1Reg register's LoAlert bit changes to logic 1.
- ComIEnReg register's HiAlertIEn bit is set to logic 1. It activates pin IRQ when Status1Reg register's HiAlert bit changes to logic 1.

If the maximum number of WaterLevel bytes (as set in the WaterLevelReg register) or less are stored in the FIFO buffer, the HiAlert bit is set to logic 1. It is generated according to [Equation 3](#):

$$HiAlert = (64 - FIFOLength) \leq WaterLevel \tag{3}$$

If the number of WaterLevel bytes (as set in the WaterLevelReg register) or less are stored in the FIFO buffer, the LoAlert bit is set to logic 1. It is generated according to [Equation 4](#):

$$LoAlert = FIFOLength \leq WaterLevel \tag{4}$$

## 8.4 Interrupt request system

The MFRC522 indicates certain events by setting the Status1Reg register's IRq bit and, if activated, by pin IRQ. The signal on pin IRQ can be used to interrupt the host using its interrupt handling capabilities. This allows the implementation of efficient host software.

### 8.4.1 Interrupt sources overview

[Table 18](#) shows the available interrupt bits, the corresponding source and the condition for its activation. The ComIrqReg register's TimerIRq interrupt bit indicates an interrupt set by the timer unit which is set when the timer decrements from 1 to 0.

The ComIrqReg register's TxIRq bit indicates that the transmitter has finished. If the state changes from sending data to transmitting the end of the frame pattern, the transmitter unit automatically sets the interrupt bit. The CRC coprocessor sets the DivIrqReg register's CRCIRq bit after processing all the FIFO buffer data which is indicated by CRCReady bit = 1.

The ComIrqReg register's RxIRq bit indicates an interrupt when the end of the received data is detected. The ComIrqReg register's IdleIRq bit is set if a command finishes and the Command[3:0] value in the CommandReg register changes to idle (see [Table 149 on page 67](#)).

The ComIrqReg register's HiAlertIRq bit is set to logic 1 when the Status1Reg register's HiAlert bit is set to logic 1 which means that the FIFO buffer has reached the level indicated by the WaterLevel[5:0] bits.

The ComIrqReg register's LoAlertIRq bit is set to logic 1 when the Status1Reg register's LoAlert bit is set to logic 1 which means that the FIFO buffer has reached the level indicated by the WaterLevel[5:0] bits.

The ComIrqReg register's ErrIRq bit indicates an error detected by the contactless UART during send or receive. This is indicated when any bit is set to logic 1 in register ErrorReg.

**Table 18. Interrupt sources**

Interrupt flag	Interrupt source	Trigger action
TimerIRq	timer unit	the timer counts from 1 to 0
TxIRq	transmitter	a transmitted data stream ends
CRCIRq	CRC coprocessor	all data from the FIFO buffer has been processed
RxIRq	receiver	a received data stream ends
IdleIRq	ComIrqReg register	command execution finishes
HiAlertIRq	FIFO buffer	the FIFO buffer is almost full
LoAlertIRq	FIFO buffer	the FIFO buffer is almost empty
ErrIRq	contactless UART	an error is detected

## 8.5 Timer unit

The MFRC522A has a timer unit which the external host can use to manage timing tasks. The timer unit can be used in one of the following timer/counter configurations:

- Timeout counter
- Watchdog counter
- Stop watch
- Programmable one shot
- Periodical trigger

The timer unit can be used to measure the time interval between two events or to indicate that a specific event occurred after a specific time. The timer can be triggered by events explained in the paragraphs below. The timer does not influence any internal events, for example, a time-out during data reception does not automatically influence the reception process. Furthermore, several timer-related bits can be used to generate an interrupt.

The timer has an input clock of 13.56 MHz derived from the 27.12 MHz quartz crystal oscillator. The timer consists of two stages: prescaler and counter.

The prescaler (TPrescaler) is a 12-bit counter. The reload values (TReloadVal\_Hi[7:0] and TReloadVal\_Lo[7:0]) for TPrescaler can be set between 0 and 4095 in the TModeReg register's TPrescaler\_Hi[3:0] bits and TPrescalerReg register's TPrescaler\_Lo[7:0] bits.

The reload value for the counter is defined by 16 bits between 0 and 65535 in the TReloadReg register.

The current value of the timer is indicated in the TCounterValReg register.

When the counter reaches 0, an interrupt is automatically generated, indicated by the ComIrqReg register's TimerIRq bit setting. If enabled, this event can be indicated on pin IRQ. The TimerIRq bit can be set and reset by the host. Depending on the configuration, the timer will stop at 0 or restart with the value set in the TReloadReg register.

The timer status is indicated by the Status1Reg register's TRunning bit.

The timer can be started manually using the ControlReg register's TStartNow bit and stopped using the ControlReg register's TStopNow bit.

The timer can also be activated automatically to meet any dedicated protocol requirements by setting the TModeReg register's TAuto bit to logic 1.

The delay time of a timer stage is set by the reload value + 1. The total delay time ( $t_d$ ) is calculated using [Equation 5](#):

$$t_d = \frac{(TPrescaler \times 2 + 1) \times (TReloadVal + 1)}{13.56 \text{ MHz}} \quad (5)$$

An example of calculating total delay time ( $t_d$ ) is shown in [Equation 6](#), where the TPrescaler value = 4095 and TReloadVal = 65535:

$$39.59 \text{ s} = \frac{(4095 \times 2 + 1) \times (65535 + 1)}{13.56 \text{ MHz}} \quad (6)$$

**Example:** To give a delay time of 25  $\mu\text{s}$  requires 339 clock cycles to be counted and a TPrescaler value of 169. This configures the timer to count up to 65535 time-slots for every 25  $\mu\text{s}$  period.

## 8.6 Power reduction modes

### 8.6.1 Hard power-down

Hard power-down is enabled when pin NRSTPD is LOW. This turns off all internal current sinks including the oscillator. All digital input buffers are separated from the input pins and clamped internally (except pin NRSTPD). The output pins are frozen at either a HIGH or LOW level.

### 8.6.2 Soft power-down mode

Soft Power-down mode is entered immediately after the CommandReg register's PowerDown bit is set to logic 1. All internal current sinks are switched off, including the oscillator buffer. However, the digital input buffers are not separated from the input pins and keep their functionality. The digital output pins do not change their state.

During soft power-down, all register values, the FIFO buffer content and the configuration keep their current contents.

After setting the PowerDown bit to logic 0, it takes 1024 clocks until the Soft power-down mode is exited indicated by the PowerDown bit. Setting it to logic 0 does not immediately clear it. It is cleared automatically by the MFRC522 when Soft power-down mode is exited.

**Remark:** If the internal oscillator is used, you must take into account that it is supplied by pin AVDD and it will take a certain time ( $t_{osc}$ ) until the oscillator is stable and the clock cycles can be detected by the internal logic. It is recommended for the serial UART, to first send the value 55h to the MFRC522. The oscillator must be stable for further access to the registers. To ensure this, perform a read access to address 0 until the MFRC522 answers to the last read command with the register content of address 0. This indicates that the MFRC522 is ready.

### 8.6.3 Transmitter power-down mode

The Transmitter Power-down mode switches off the internal antenna drivers thereby, turning off the RF field. Transmitter power-down mode is entered by setting either the TxControlReg register's Tx1RFEn bit or Tx2RFEn bit to logic 0.

## 8.7 Oscillator circuit

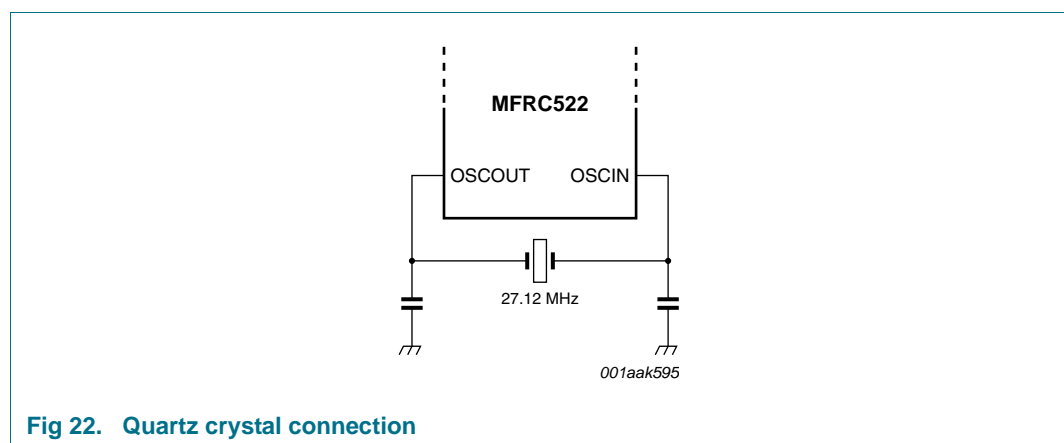


Fig 22. Quartz crystal connection

The clock applied to the MFRC522 provides a time basis for the synchronous system's encoder and decoder. The stability of the clock frequency, therefore, is an important factor for correct operation. To obtain optimum performance, clock jitter must be reduced as much as possible. This is best achieved using the internal oscillator buffer with the recommended circuitry.

If an external clock source is used, the clock signal must be applied to pin OSCIN. In this case, special care must be taken with the clock duty cycle and clock jitter and the clock quality must be verified.

## 8.8 Reset and oscillator start-up time

### 8.8.1 Reset timing requirements

The reset signal is filtered by a hysteresis circuit and a spike filter before it enters the digital circuit. The spike filter rejects signals shorter than 10 ns. In order to perform a reset, the signal must be LOW for at least 100 ns.

### 8.8.2 Oscillator start-up time

If the MFRC522 has been set to a Power-down mode or is powered by a  $V_{DDX}$  supply, the start-up time for the MFRC522 depends on the oscillator used and is shown in [Figure 23](#).

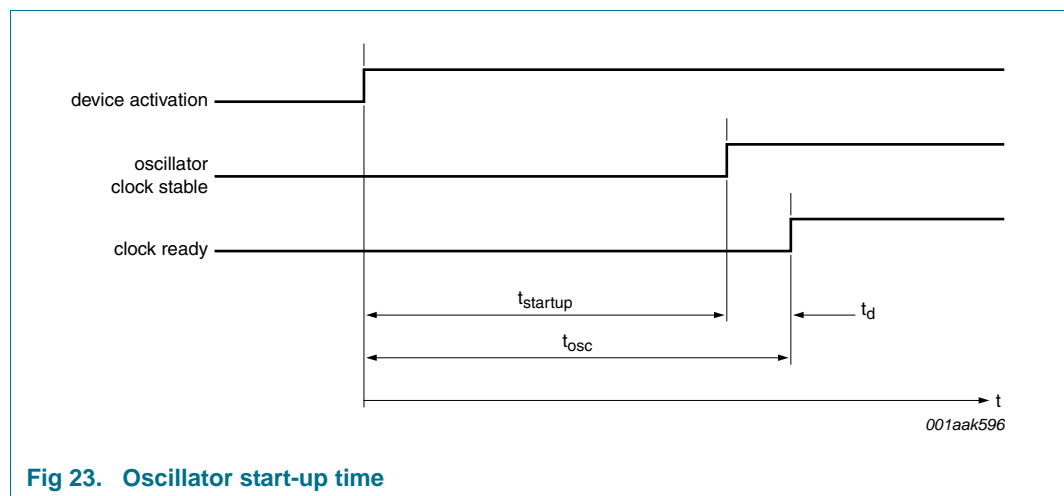
The time ( $t_{startup}$ ) is the start-up time of the crystal oscillator circuit. The crystal oscillator start-up time is defined by the crystal.

The time ( $t_d$ ) is the internal delay time of the MFRC522 when the clock signal is stable before the MFRC522 can be addressed.

The delay time is calculated by:

$$t_d = \frac{1024}{27 \mu s} = 37.74 \mu s \tag{7}$$

The time ( $t_{osc}$ ) is the sum of  $t_d$  and  $t_{startup}$ .



**Fig 23. Oscillator start-up time**



## 9. MFRC522 registers

### 9.1 Register bit behavior

Depending on the functionality of a register, the access conditions to the register can vary. In principle, bits with same behavior are grouped in common registers. The access conditions are described in [Table 19](#).

**Table 19. Behavior of register bits and their designation**

Abbreviation	Behavior	Description
R/W	read and write	These bits can be written and read by the microcontroller. Since they are used only for control purposes, their content is not influenced by internal state machines, for example the ComIEnReg register can be written and read by the microcontroller. It will also be read by internal state machines but never changed by them.
D	dynamic	These bits can be written and read by the microcontroller. Nevertheless, they can also be written automatically by internal state machines, for example the CommandReg register changes its value automatically after the execution of the command.
R	read only	These register bits hold values which are determined by internal states only, for example the CRCReady bit cannot be written externally but shows internal states.
W	write only	Reading these register bits always returns zero.
reserved	-	These registers are reserved for future use and must not be changed. In case of a write access, it is recommended to always write the value "0".
RFT	-	These register bits are reserved for future use or are for production tests and must not be changed.

## 9.2 Register overview

**Table 20. MFRC522 register overview**

Address (hex)	Register name	Function	Refer to
<b>Page 0: Command and status</b>			
00h	Reserved	reserved for future use	<a href="#">Table 21 on page 36</a>
01h	CommandReg	starts and stops command execution	<a href="#">Table 23 on page 36</a>
02h	ComlEnReg	enable and disable interrupt request control bits	<a href="#">Table 25 on page 36</a>
03h	DivlEnReg	enable and disable interrupt request control bits	<a href="#">Table 27 on page 37</a>
04h	ComlRqReg	interrupt request bits	<a href="#">Table 29 on page 37</a>
05h	DivlRqReg	interrupt request bits	<a href="#">Table 31 on page 38</a>
06h	ErrorReg	error bits showing the error status of the last command executed	<a href="#">Table 33 on page 39</a>
07h	Status1Reg	communication status bits	<a href="#">Table 35 on page 40</a>
08h	Status2Reg	receiver and transmitter status bits	<a href="#">Table 37 on page 41</a>
09h	FIFODataReg	input and output of 64 byte FIFO buffer	<a href="#">Table 39 on page 42</a>
0Ah	FIFOLevelReg	number of bytes stored in the FIFO buffer	<a href="#">Table 41 on page 42</a>
0Bh	WaterLevelReg	level for FIFO underflow and overflow warning	<a href="#">Table 43 on page 42</a>
0Ch	ControlReg	miscellaneous control registers	<a href="#">Table 45 on page 43</a>
0Dh	BitFramingReg	adjustments for bit-oriented frames	<a href="#">Table 47 on page 44</a>
0Eh	CollReg	bit position of the first bit-collision detected on the RF interface	<a href="#">Table 49 on page 44</a>
0Fh	Reserved	reserved for future use	<a href="#">Table 51 on page 45</a>
<b>Page 1: Command</b>			
10h	Reserved	reserved for future use	<a href="#">Table 53 on page 45</a>
11h	ModeReg	defines general modes for transmitting and receiving	<a href="#">Table 55 on page 46</a>
12h	TxModeReg	defines transmission data rate and framing	<a href="#">Table 57 on page 46</a>
13h	RxModeReg	defines reception data rate and framing	<a href="#">Table 59 on page 47</a>
14h	TxControlReg	controls the logical behavior of the antenna driver pins TX1 and TX2	<a href="#">Table 61 on page 48</a>
15h	TxASKReg	controls the setting of the transmission modulation	<a href="#">Table 63 on page 49</a>
16h	TxSelReg	selects the internal sources for the antenna driver	<a href="#">Table 65 on page 49</a>
17h	RxSelReg	selects internal receiver settings	<a href="#">Table 67 on page 50</a>
18h	RxThresholdReg	selects thresholds for the bit decoder	<a href="#">Table 69 on page 51</a>
19h	DemodReg	defines demodulator settings	<a href="#">Table 71 on page 51</a>
1Ah	Reserved	reserved for future use	<a href="#">Table 73 on page 52</a>
1Bh	Reserved	reserved for future use	<a href="#">Table 75 on page 52</a>
1Ch	MfTxReg	controls some MIFARE communication transmit parameters	<a href="#">Table 77 on page 52</a>
1Dh	MfRxReg	controls some MIFARE communication receive parameters	<a href="#">Table 79 on page 53</a>
1Eh	Reserved	reserved for future use	<a href="#">Table 81 on page 53</a>
1Fh	SerialSpeedReg	selects the speed of the serial UART interface	<a href="#">Table 83 on page 53</a>
<b>Page 2: Configuration</b>			
20h	Reserved	reserved for future use	<a href="#">Table 85 on page 54</a>

**Table 20. MFRC522 register overview ...continued**

Address (hex)	Register name	Function	Refer to
21h	CRCResultReg	shows the MSB and LSB values of the CRC calculation	<a href="#">Table 87 on page 54</a>
22h			<a href="#">Table 89 on page 54</a>
23h	Reserved	reserved for future use	<a href="#">Table 91 on page 55</a>
24h	ModWidthReg	controls the ModWidth setting	<a href="#">Table 93 on page 55</a>
25h	Reserved	reserved for future use	<a href="#">Table 95 on page 55</a>
26h	RFCfgReg	configures the receiver gain	<a href="#">Table 97 on page 56</a>
27h	GsNReg	selects the conductance of the antenna driver pins TX1 and TX2 for modulation	<a href="#">Table 99 on page 56</a>
28h	CWGSPReg	defines the conductance of the p-driver output during periods of no modulation	<a href="#">Table 101 on page 57</a>
29h	ModGsPReg	defines the conductance of the p-driver output during periods of modulation	<a href="#">Table 103 on page 57</a>
2Ah	TModeReg	defines settings for the internal timer	<a href="#">Table 105 on page 57</a>
2Bh	TPrescalerReg		<a href="#">Table 107 on page 58</a>
2Ch	TReloadReg	defines the 16-bit timer reload value	<a href="#">Table 109 on page 59</a>
2Dh			<a href="#">Table 111 on page 59</a>
2Eh	TCounterValReg	shows the 16-bit timer value	<a href="#">Table 113 on page 59</a>
2Fh			<a href="#">Table 115 on page 59</a>

**Page 3: Test register**

30h	Reserved	reserved for future use	<a href="#">Table 117 on page 60</a>
31h	TestSel1Reg	general test signal configuration	<a href="#">Table 119 on page 60</a>
32h	TestSel2Reg	general test signal configuration and PRBS control	<a href="#">Table 121 on page 60</a>
33h	TestPinEnReg	enables pin output driver on pins D1 to D7	<a href="#">Table 123 on page 61</a>
34h	TestPinValueReg	defines the values for D1 to D7 when it is used as an I/O bus	<a href="#">Table 125 on page 61</a>
35h	TestBusReg	shows the status of the internal test bus	<a href="#">Table 127 on page 62</a>
36h	AutoTestReg	controls the digital self test	<a href="#">Table 129 on page 62</a>
37h	VersionReg	shows the software version	<a href="#">Table 131 on page 63</a>
38h	AnalogTestReg	controls the pins AUX1 and AUX2	<a href="#">Table 133 on page 63</a>
39h	TestDAC1Reg	defines the test value for TestDAC1	<a href="#">Table 135 on page 65</a>
3Ah	TestDAC2Reg	defines the test value for TestDAC2	<a href="#">Table 137 on page 65</a>
3Bh	TestADCReg	shows the value of ADC I and Q channels	<a href="#">Table 139 on page 65</a>
3Ch to 3Fh	Reserved	reserved for production tests	<a href="#">Table 141 to Table 147 on page 66</a>

## 9.3 Register descriptions

### 9.3.1 Page 0: Command and status

#### 9.3.1.1 Reserved register 00h

Functionality is reserved for future use.

**Table 21. Reserved register (address 00h); reset value: 00h bit allocation**

Bit	7	6	5	4	3	2	1	0
Symbol	reserved							
Access	-							

**Table 22. Reserved register bit descriptions**

Bit	Symbol	Description
7 to 0	-	reserved

#### 9.3.1.2 CommandReg register

Starts and stops command execution.

**Table 23. CommandReg register (address 01h); reset value: 20h bit allocation**

Bit	7	6	5	4	3	2	1	0
Symbol:	reserved		RcvOff	PowerDown	Command[3:0]			
Access:	-		R/W	D	D			

**Table 24. CommandReg register bit descriptions**

Bit	Symbol	Value	Description
7 to 6	reserved	-	reserved for future use
5	RcvOff	1	analog part of the receiver is switched off
4	PowerDown	1	Soft power-down mode entered
		0	MFRC522 starts the wake up procedure during which this bit is read as a logic 1; it is read as a logic 0 when the MFRC522 is ready; see <a href="#">Section 8.6.2 on page 31</a>
			<b>Remark:</b> The PowerDown bit cannot be set when the SoftReset command is activated
3 to 0	Command[3:0]	-	activates a command based on the Command value; reading this register shows which command is executed; see <a href="#">Section 10.3 on page 67</a>

#### 9.3.1.3 ComIEnReg register

Control bits to enable and disable the passing of interrupt requests.

**Table 25. ComIEnReg register (address 02h); reset value: 80h bit allocation**

Bit	7	6	5	4	3	2	1	0
Symbol	IRqInv	TxIEn	RxIEn	IdleIEn	HiAlertIEn	LoAlertIEn	ErrIEn	TimerIEn
Access	R/W	R/W	R/W	R/W	R/W	R/W	R/W	R/W

**Table 26. ComIEnReg register bit descriptions**

Bit	Symbol	Value	Description
7	IRqInv	1	signal on pin IRQ is inverted with respect to the Status1Reg register's IRq bit
		0	signal on pin IRQ is equal to the IRq bit; in combination with the DivIEnReg register's IRqPushPull bit, the default value of logic 1 ensures that the output level on pin IRQ is 3-state
6	TxIEn	-	allows the transmitter interrupt request (TxIRq bit) to be propagated to pin IRQ
5	RxIEn	-	allows the receiver interrupt request (RxIRq bit) to be propagated to pin IRQ
4	IdleIEn	-	allows the idle interrupt request (IdleIRq bit) to be propagated to pin IRQ
3	HiAlertIEn	-	allows the high alert interrupt request (HiAlertIRq bit) to be propagated to pin IRQ
2	LoAlertIEn	-	allows the low alert interrupt request (LoAlertIRq bit) to be propagated to pin IRQ
1	ErrIEn	-	allows the error interrupt request (ErrIRq bit) to be propagated to pin IRQ
0	TimerIEn	-	allows the timer interrupt request (TimerIRq bit) to be propagated to pin IRQ

### 9.3.1.4 DivIEnReg register

Control bits to enable and disable the passing of interrupt requests.

**Table 27. DivIEnReg register (address 03h); reset value: 00h bit allocation**

Bit	7	6	5	4	3	2	1	0
Symbol	IRQPushPull	reserved	MfinActIEn	reserved	CRCIEn	reserved		
Access	R/W	-	R/W	-	R/W	-		

**Table 28. DivIEnReg register bit descriptions**

Bit	Symbol	Value	Description
7	IRQPushPull	1	pin IRQ is a standard CMOS output pin
		0	pin IRQ is an open-drain output pin
6 to 5	reserved	-	reserved for future use
4	MfinActIEn	-	allows the MFIN active interrupt request to be propagated to pin IRQ
3	reserved	-	reserved for future use
2	CRCIEn	-	allows the CRC interrupt request, indicated by the DivIrqReg register's CRCIRq bit, to be propagated to pin IRQ
1 to 0	reserved	-	reserved for future use

### 9.3.1.5 ComIrqReg register

Interrupt request bits.

**Table 29. ComIrqReg register (address 04h); reset value: 14h bit allocation**

Bit	7	6	5	4	3	2	1	0
Symbol	Set1	TxIRq	RxIRq	IdleIRq	HiAlertIRq	LoAlertIRq	ErrIRq	TimerIRq
Access	W	D	D	D	D	D	D	D

**Table 30. ComlRqReg register bit descriptions**

All bits in the ComlRqReg register are cleared by software.

Bit	Symbol	Value	Description
7	Set1	1	indicates that the marked bits in the ComlRqReg register are set
		0	indicates that the marked bits in the ComlRqReg register are cleared
6	TxIRq	1	set immediately after the last bit of the transmitted data was sent out
5	RxIRq	1	receiver has detected the end of a valid data stream if the RxModeReg register's RxNoErr bit is set to logic 1, the RxIRq bit is only set to logic 1 when data bytes are available in the FIFO
4	IdleIRq	1	If a command terminates, for example, when the CommandReg changes its value from any command to the Idle command (see <a href="#">Table 149 on page 67</a> ) if an unknown command is started, the CommandReg register Command[3:0] value changes to the idle state and the IdleIRq bit is set The microcontroller starting the Idle command does not set the IdleIRq bit
3	HiAlertIRq	1	the Status1Reg register's HiAlert bit is set in opposition to the HiAlert bit, the HiAlertIRq bit stores this event and can only be reset as indicated by the Set1 bit in this register
2	LoAlertIRq	1	Status1Reg register's LoAlert bit is set in opposition to the LoAlert bit, the LoAlertIRq bit stores this event and can only be reset as indicated by the Set1 bit in this register
1	ErrIRq	1	any error bit in the ErrorReg register is set
0	TimerIRq	1	the timer decrements the timer value in register TCounterValReg to zero

### 9.3.1.6 DivlRqReg register

Interrupt request bits.

**Table 31. DivlRqReg register (address 05h); reset value: x0h bit allocation**

Bit	7	6	5	4	3	2	1	0
Symbol	Set2	reserved	MfinActIRq	reserved	CRCIRq	reserved	reserved	reserved
Access	W	-	D	-	D	-	-	-

**Table 32. DivlRqReg register bit descriptions**

All bits in the DivlRqReg register are cleared by software.

Bit	Symbol	Value	Description
7	Set2	1	indicates that the marked bits in the DivlRqReg register are set
		0	indicates that the marked bits in the DivlRqReg register are cleared
6 to 5	reserved	-	reserved for future use
4	MfinActIRq	1	MFIN is active this interrupt is set when either a rising or falling signal edge is detected
3	reserved	-	reserved for future use
2	CRCIRq	1	the CalcCRC command is active and all data is processed
1 to 0	reserved	-	reserved for future use

### 9.3.1.7 ErrorReg register

Error bit register showing the error status of the last command executed.

**Table 33. ErrorReg register (address 06h); reset value: 00h bit allocation**

Bit	7	6	5	4	3	2	1	0
Symbol	WrErr	TempErr	reserved	BufferOvfl	CollErr	CRCErr	ParityErr	ProtocolErr
Access	R	R	-	R	R	R	R	R

**Table 34. ErrorReg register bit descriptions**

Bit	Symbol	Value	Description
7	WrErr	1	data is written into the FIFO buffer by the host during the MFAuthent command or if data is written into the FIFO buffer by the host during the time between sending the last bit on the RF interface and receiving the last bit on the RF interface
6	TempErr <sup>[1]</sup>	1	internal temperature sensor detects overheating, in which case the antenna drivers are automatically switched off
5	reserved	-	reserved for future use
4	BufferOvfl	1	the host or a MFRC522's internal state machine (e.g. receiver) tries to write data to the FIFO buffer even though it is already full
3	CollErr	1	a bit-collision is detected cleared automatically at receiver start-up phase only valid during the bitwise anticollision at 106 kBd always set to logic 0 during communication protocols at 212 kBd, 424 kBd and 848 kBd
2	CRCErr	1	the RxModeReg register's RxCRCEn bit is set and the CRC calculation fails automatically cleared to logic 0 during receiver start-up phase
1	ParityErr	1	parity check failed automatically cleared during receiver start-up phase only valid for ISO/IEC 14443 A/MIFARE communication at 106 kBd
0	ProtocolErr	1	set to logic 1 if the SOF is incorrect automatically cleared during receiver start-up phase bit is only valid for 106 kBd during the MFAuthent command, the ProtocolErr bit is set to logic 1 if the number of bytes received in one data stream is incorrect

[1] Command execution clears all error bits except the TempErr bit. Cannot be set by software.

9.3.1.8 Status1Reg register

Contains status bits of the CRC, interrupt and FIFO buffer.

Table 35. Status1Reg register (address 07h); reset value: 21h bit allocation

Bit	7	6	5	4	3	2	1	0
Symbol	reserved	CRCOk	CRCReady	IRq	TRunning	reserved	HiAlert	LoAlert
Access	-	R	R	R	R	-	R	R

Table 36. Status1Reg register bit descriptions

Bit	Symbol	Value	Description
7	reserved	-	reserved for future use
6	CRCOk	1	the CRC result is zero for data transmission and reception, the CRCOk bit is undefined: use the ErrorReg register's CRCErr bit indicates the status of the CRC coprocessor, during calculation the value changes to logic 0, when the calculation is done correctly the value changes to logic 1
5	CRCReady	1	the CRC calculation has finished only valid for the CRC coprocessor calculation using the CalcCRC command
4	IRq	-	indicates if any interrupt source requests attention with respect to the setting of the interrupt enable bits: see the ComIEnReg and DivIEnReg registers
3	TRunning	1	MFRC522's timer unit is running, i.e. the timer will decrement the TCounterValReg register with the next timer clock <b>Remark:</b> in gated mode, the TRunning bit is set to logic 1 when the timer is enabled by TModeReg register's TGated[1:0] bits; this bit is not influenced by the gated signal
2	reserved	-	reserved for future use
1	HiAlert	1	the number of bytes stored in the FIFO buffer corresponds to equation: $HiAlert = (64 - FIFOLength) \leq WaterLevel$ example: FIFO length = 60, WaterLevel = 4 → HiAlert = 1 FIFO length = 59, WaterLevel = 4 → HiAlert = 0
0	LoAlert	1	the number of bytes stored in the FIFO buffer corresponds to equation: $LoAlert = FIFOLength \leq WaterLevel$ example: FIFO length = 4, WaterLevel = 4 → LoAlert = 1 FIFO length = 5, WaterLevel = 4 → LoAlert = 0



### 9.3.1.9 Status2Reg register

Contains status bits of the receiver, transmitter and data mode detector.

**Table 37. Status2Reg register (address 08h); reset value: 00h bit allocation**

Bit	7	6	5	4	3	2	1	0
Symbol	TempSensClear	I <sup>2</sup> CForceHS	reserved		MFCrypto1On	ModemState[2:0]		
Access	R/W	R/W	-		D	R		

**Table 38. Status2Reg register bit descriptions**

Bit	Symbol	Value	Description
7	TempSensClear	1	clears the temperature error if the temperature is below the alarm limit of 125 °C
6	I <sup>2</sup> CForceHS	1	the I <sup>2</sup> C-bus input filter is set to the High-speed mode independent of the I <sup>2</sup> C-bus protocol
		0	the I <sup>2</sup> C-bus input filter is set to the I <sup>2</sup> C-bus protocol used
5 to 4	reserved	-	reserved
3	MFCrypto1On	-	indicates that the MIFARE Crypto1 unit is switched on and therefore all data communication with the card is encrypted can only be set to logic 1 by a successful execution of the MFAuthent command only valid in Read/Write mode for MIFARE standard cards this bit is cleared by software
2 to 0	ModemState[2:0]	-	shows the state of the transmitter and receiver state machines:
		000	idle
		001	wait for the BitFramingReg register's StartSend bit
		010	TxWait: wait until RF field is present if the TModeReg register's TxWaitRF bit is set to logic 1 the minimum time for TxWait is defined by the TxWaitReg register
		011	transmitting
		100	RxWait: wait until RF field is present if the TModeReg register's TxWaitRF bit is set to logic 1 the minimum time for RxWait is defined by the RxWaitReg register
		101	wait for data
		110	receiving

### 9.3.1.10 FIFODataReg register

Input and output of 64 byte FIFO buffer.

**Table 39. FIFODataReg register (address 09h); reset value: xxh bit allocation**

Bit	7	6	5	4	3	2	1	0
Symbol	FIFOData[7:0]							
Access	D							

**Table 40. FIFODataReg register bit descriptions**

Bit	Symbol	Description
7 to 0	FIFOData[7:0]	data input and output port for the internal 64-byte FIFO buffer FIFO buffer acts as parallel in/parallel out converter for all serial data stream inputs and outputs

### 9.3.1.11 FIFOLevelReg register

Indicates the number of bytes stored in the FIFO.

**Table 41. FIFOLevelReg register (address 0Ah); reset value: 00h bit allocation**

Bit	7	6	5	4	3	2	1	0
Symbol	FlushBuffer	FIFOLevel[6:0]						
Access	W	R						

**Table 42. FIFOLevelReg register bit descriptions**

Bit	Symbol	Value	Description
7	FlushBuffer	1	immediately clears the internal FIFO buffer's read and write pointer and ErrorReg register's BufferOvfl bit reading this bit always returns 0
6 to 0	FIFOLevel [6:0]	-	indicates the number of bytes stored in the FIFO buffer writing to the FIFODataReg register increments and reading decrements the FIFOLevel value

### 9.3.1.12 WaterLevelReg register

Defines the level for FIFO under- and overflow warning.

**Table 43. WaterLevelReg register (address 0Bh); reset value: 08h bit allocation**

Bit	7	6	5	4	3	2	1	0
Symbol	reserved		WaterLevel[5:0]					
Access	-		R/W					

**Table 44. WaterLevelReg register bit descriptions**

Bit	Symbol	Description
7 to 6	reserved	reserved for future use
5 to 0	WaterLevel [5:0]	<p>defines a warning level to indicate a FIFO buffer overflow or underflow:</p> <p>Status1Reg register's HiAlert bit is set to logic 1 if the remaining number of bytes in the FIFO buffer space is equal to, or less than the defined number of WaterLevel bytes</p> <p>Status1Reg register's LoAlert bit is set to logic 1 if equal to, or less than the WaterLevel bytes in the FIFO buffer</p> <p><b>Remark:</b> to calculate values for HiAlert and LoAlert see <a href="#">Section 9.3.1.8 on page 40</a>.</p>

**9.3.1.13 ControlReg register**

Miscellaneous control bits.

**Table 45. ControlReg register (address 0Ch); reset value: 10h bit allocation**

Bit	7	6	5	4	3	2	1	0
Symbol	TStopNow	TStartNow	reserved			RxLastBits[2:0]		
Access	W	W	-			R		

**Table 46. ControlReg register bit descriptions**

Bit	Symbol	Value	Description
7	TStopNow	1	timer stops immediately reading this bit always returns it to 0
6	TStartNow	1	timer starts immediately reading this bit always returns it to 0
5 to 3	reserved	-	reserved for future use
2 to 0	RxLastBits[2:0]	-	indicates the number of valid bits in the last received byte if this value is zero, the whole byte is valid

### 9.3.1.14 BitFramingReg register

Adjustments for bit-oriented frames.

**Table 47. BitFramingReg register (address 0Dh); reset value: 00h bit allocation**

Bit	7	6	5	4	3	2	1	0
Symbol	StartSend	RxAlign[2:0]			reserved	TxLastBits[2:0]		
Access	W	R/W			-	R/W		

**Table 48. BitFramingReg register bit descriptions**

Bit	Symbol	Value	Description
7	StartSend	1	starts the transmission of data only valid in combination with the Transceive command
6 to 4	RxAlign[2:0]		used for reception of bit-oriented frames: defines the bit position for the first bit received to be stored in the FIFO buffer example:
		0	LSB of the received bit is stored at bit position 0, the second received bit is stored at bit position 1
		1	LSB of the received bit is stored at bit position 1, the second received bit is stored at bit position 2
		7	LSB of the received bit is stored at bit position 7, the second received bit is stored in the next byte that follows at bit position 0  These bits are only to be used for bitwise anticollision at 106 kBd, for all other modes they are set to 0
3	reserved	-	reserved for future use
2 to 0	TxLastBits[2:0]	-	used for transmission of bit oriented frames: defines the number of bits of the last byte that will be transmitted 000b indicates that all bits of the last byte will be transmitted

### 9.3.1.15 CollReg register

Defines the first bit-collision detected on the RF interface.

**Table 49. CollReg register (address 0Eh); reset value: xxh bit allocation**

Bit	7	6	5	4	3	2	1	0
Symbol	ValuesAfterColl	reserved	CollPosNotValid	CollPos[4:0]				
Access	R/W	-	R	R				

**Table 50. CollReg register bit descriptions**

Bit	Symbol	Value	Description
7	ValuesAfterColl	0	all received bits will be cleared after a collision only used during bitwise anticollision at 106 kBd, otherwise it is set to logic 1
6	reserved	-	reserved for future use
5	CollPosNotValid	1	no collision detected or the position of the collision is out of the range of CollPos[4:0]

**Table 50. CollReg register bit descriptions ...continued**

Bit	Symbol	Value	Description
4 to 0	CollPos[4:0]	-	shows the bit position of the first detected collision in a received frame only data bits are interpreted example:
		00h	indicates a bit-collision in the 32 <sup>nd</sup> bit
		01h	indicates a bit-collision in the 1 <sup>st</sup> bit
		08h	indicates a bit-collision in the 8 <sup>th</sup> bit
			These bits will only be interpreted if the CollPosNotValid bit is set to logic 0

**9.3.1.16 Reserved register 0Fh**

Functionality is reserved for future use.

**Table 51. Reserved register (address 0Fh); reset value: 00h bit allocation**

Bit	7	6	5	4	3	2	1	0
Symbol	reserved							
Access	-							

**Table 52. Reserved register bit descriptions**

Bit	Symbol	Description
7 to 0	reserved	reserved for future use

**9.3.2 Page 1: Communication****9.3.2.1 Reserved register 10h**

Functionality is reserved for future use.

**Table 53. Reserved register (address 10h); reset value: 00h bit allocation**

Bit	7	6	5	4	3	2	1	0
Symbol	reserved							
Access	-							

**Table 54. Reserved register bit descriptions**

Bit	Symbol	Description
7 to 0	reserved	reserved for future use

### 9.3.2.2 ModeReg register

Defines general mode settings for transmitting and receiving.

**Table 55. ModeReg register (address 11h); reset value: 3Fh bit allocation**

Bit	7	6	5	4	3	2	1	0
Symbol	MSBFirst	reserved	TxWaitRF	reserved	PolMFin	reserved	CRCPreset[1:0]	
Access	R/W	-	R/W	-	R/W	-	R/W	

**Table 56. ModeReg register bit descriptions**

Bit	Symbol	Value	Description
7	MSBFirst	1	CRC coprocessor calculates the CRC with MSB first in the CRCResultReg register the values for the CRCResultMSB[7:0] bits and the CRCResultLSB[7:0] bits are bit reversed <b>Remark:</b> during RF communication this bit is ignored
6	reserved	-	reserved for future use
5	TxWaitRF	1	transmitter can only be started if an RF field is generated
4	reserved	-	reserved for future use
3	PolMFin		defines the polarity of pin MFIN <b>Remark:</b> the internal envelope signal is encoded active LOW, changing this bit generates a MFinActIRq event
		1	polarity of pin MFIN is active HIGH
		0	polarity of pin MFIN is active LOW
2	reserved	-	reserved for future use
1 to 0	CRCPreset [1:0]		defines the preset value for the CRC coprocessor for the CalcCRC command <b>Remark:</b> during any communication, the preset values are selected automatically according to the definition of bits in the RxModeReg and TxModeReg registers
		00	0000h
		01	6363h
		10	A671h
		11	FFFFh

### 9.3.2.3 TxModeReg register

Defines the data rate during transmission.

**Table 57. TxModeReg register (address 12h); reset value: 00h bit allocation**

Bit	7	6	5	4	3	2	1	0
Symbol	TxCRCEn	TxSpeed[2:0]			InvMod	reserved		
Access	R/W	D			R/W	-		

**Table 58. TxModeReg register bit descriptions**

Bit	Symbol	Value	Description
7	TxCRCEn	1	enables CRC generation during data transmission <b>Remark:</b> can only be set to logic 0 at 106 kBd
6 to 4	TxSpeed[2:0]		defines the bit rate during data transmission the MFRC522 handles transfer speeds up to 848 kBd
		000	106 kBd
		001	212 kBd
		010	424 kBd
		011	848 kBd
		100	reserved
		101	reserved
		110	reserved
		111	reserved
3	InvMod	1	modulation of transmitted data is inverted
2 to 0	reserved	-	reserved for future use

### 9.3.2.4 RxModeReg register

Defines the data rate during reception.

**Table 59. RxModeReg register (address 13h); reset value: 00h bit allocation**

Bit	7	6	5	4	3	2	1	0
Symbol	RxCRCEn	RxSpeed[2:0]			RxNoErr	RxMultiple	reserved	
Access	R/W	D			R/W	R/W	-	

**Table 60. RxModeReg register bit descriptions**

Bit	Symbol	Value	Description
7	RxCRCEn	1	enables the CRC calculation during reception <b>Remark:</b> can only be set to logic 0 at 106 kBd
6 to 4	RxSpeed[2:0]		defines the bit rate while receiving data the MFRC522 handles transfer speeds up to 848 kBd
		000	106 kBd
		001	212 kBd
		010	424 kBd
		011	848 kBd
		100	reserved
		101	reserved
		110	reserved
		111	reserved
3	RxNoErr	1	an invalid received data stream (less than 4 bits received) will be ignored and the receiver remains active

**Table 60. RxModeReg register bit descriptions ...continued**

Bit	Symbol	Value	Description
2	RxMultiple	0	receiver is deactivated after receiving a data frame
		1	able to receive more than one data frame only valid for data rates above 106 kBd in order to handle the polling command after setting this bit the Receive and Transceive commands will not terminate automatically. Multiple reception can only be deactivated by writing any command (except the Receive command) to the CommandReg register, or by the host clearing the bit if set to logic 1, an error byte is added to the FIFO buffer at the end of a received data stream which is a copy of the ErrorReg register value
1 to 0	reserved	-	reserved for future use

**9.3.2.5 TxControlReg register**

Controls the logical behavior of the antenna driver pins TX1 and TX2.

**Table 61. TxControlReg register (address 14h); reset value: 80h bit allocation**

Bit	7	6	5	4	3	2	1	0
Symbol	InvTx2RF On	InvTx1RF On	InvTx2RF Off	InvTx1RF Off	Tx2CW	reserved	Tx2RFEn	Tx1RFEn
Access	R/W	R/W	R/W	R/W	R/W	-	R/W	R/W

**Table 62. TxControlReg register bit descriptions**

Bit	Symbol	Value	Description
7	InvTx2RFOn	1	output signal on pin TX2 inverted when driver TX2 is enabled
6	InvTx1RFOn	1	output signal on pin TX1 inverted when driver TX1 is enabled
5	InvTx2RFOff	1	output signal on pin TX2 inverted when driver TX2 is disabled
4	InvTx1RFOff	1	output signal on pin TX1 inverted when driver TX1 is disabled
3	Tx2CW	1	output signal on pin TX2 continuously delivers the unmodulated 13.56 MHz energy carrier
		0	Tx2CW bit is enabled to modulate the 13.56 MHz energy carrier
2	reserved	-	reserved for future use
1	Tx2RFEn	1	output signal on pin TX2 delivers the 13.56 MHz energy carrier modulated by the transmission data
0	Tx1RFEn	1	output signal on pin TX1 delivers the 13.56 MHz energy carrier modulated by the transmission data



### 9.3.2.6 TxASKReg register

Controls transmit modulation settings.

**Table 63. TxASKReg register (address 15h); reset value: 00h bit allocation**

Bit	7	6	5	4	3	2	1	0
Symbol	reserved	Force100ASK				reserved		
Access	-	R/W				-		

**Table 64. TxASKReg register bit descriptions**

Bit	Symbol	Value	Description
7	reserved	-	reserved for future use
6	Force100ASK	1	forces a 100 % ASK modulation independent of the ModGsPReg register setting
5 to 0	reserved	-	reserved for future use

### 9.3.2.7 TxSelReg register

Selects the internal sources for the analog module.

**Table 65. TxSelReg register (address 16h); reset value: 10h bit allocation**

Bit	7	6	5	4	3	2	1	0
Symbol:	reserved		DriverSel[1:0]			MFOutSel[3:0]		
Access:	-		R/W			R/W		

**Table 66. TxSelReg register bit descriptions**

Bit	Symbol	Value	Description
7 to 6	reserved	-	reserved for future use
5 to 4	DriverSel [1:0]	-	selects the input of drivers TX1 and TX2
		00	3-state; in soft power-down the drivers are only in 3-state mode if the DriverSel[1:0] value is set to 3-state mode
		01	modulation signal (envelope) from the internal encoder, Miller pulse encoded
		10	modulation signal (envelope) from pin MFIN
		11	HIGH; the HIGH level depends on the setting of bits InvTx1RFOn/InvTx1RFOff and InvTx2RFOn/InvTx2RFOff

Table 66. TxSelReg register bit descriptions ...continued

Bit	Symbol	Value	Description
3 to 0	MFOutSel [3:0]		selects the input for pin MFOUT
		0000	3-state
		0001	LOW
		0010	HIGH
		0011	test bus signal as defined by the TestSel1Reg register's TstBusBitSel[2:0] value
		0100	modulation signal (envelope) from the internal encoder, Miller pulse encoded
		0101	serial data stream to be transmitted, data stream before Miller encoder
		0110	reserved
		0111	serial data stream received, data stream after Manchester decoder
		1000 to 1111	reserved

### 9.3.2.8 RxSelReg register

Selects internal receiver settings.

Table 67. RxSelReg register (address 17h); reset value: 84h bit allocation

Bit	7	6	5	4	3	2	1	0
Symbol	UARTSel[1:0]				RxWait[5:0]			
Access	R/W				R/W			

Table 68. RxSelReg register bit descriptions

Bit	Symbol	Value	Description
7 to 6	UARTSel [1:0]		selects the input of the contactless UART
		00	constant LOW
		01	Manchester with subcarrier from pin MFIN
		10	modulated signal from the internal analog module, default
		11	NRZ coding without subcarrier from pin MFIN which is only valid for transfer speeds above 106 kBd
5 to 0	RxWait [5:0]	-	<p>after data transmission the activation of the receiver is delayed for RxWait bit-clocks, during this 'frame guard time' any signal on pin RX is ignored</p> <p>this parameter is ignored by the Receive command</p> <p>all other commands, such as Transceive, MFAuthent use this parameter</p> <p>the counter starts immediately after the external RF field is switched on</p>

### 9.3.2.9 RxThresholdReg register

Selects thresholds for the bit decoder.

**Table 69. RxThresholdReg register (address 18h); reset value: 84h bit allocation**

Bit	7	6	5	4	3	2	1	0
Symbol	MinLevel[3:0]			reserved		CollLevel[2:0]		
Access	R/W			-		R/W		

**Table 70. RxThresholdReg register bit descriptions**

Bit	Symbol	Description
7 to 4	MinLevel [3:0]	defines the minimum signal strength at the decoder input that will be accepted if the signal strength is below this level it is not evaluated
3	reserved	reserved for future use
2 to 0	CollLevel [2:0]	defines the minimum signal strength at the decoder input that must be reached by the weaker half-bit of the Manchester encoded signal to generate a bit-collision relative to the amplitude of the stronger half-bit

### 9.3.2.10 DemodReg register

Defines demodulator settings.

**Table 71. DemodReg register (address 19h); reset value: 4Dh bit allocation**

Bit	7	6	5	4	3	2	1	0
Symbol	AddIQ[1:0]		FixIQ	reserved	TauRcv[1:0]		TauSync[1:0]	
Access	R/W		R/W	-	R/W		R/W	

**Table 72. DemodReg register bit descriptions**

Bit	Symbol	Value	Description
7 to 6	AddIQ [1:0]	-	defines the use of I and Q channel during reception <b>Remark:</b> the FixIQ bit must be set to logic 0 to enable the following settings:
		00	selects the stronger channel
		01	selects the stronger channel and freezes the selected channel during communication
		10	reserved
5	FixIQ	1	if AddIQ[1:0] are set to X0b, the reception is fixed to I channel if AddIQ[1:0] are set to X1b, the reception is fixed to Q channel
4	reserved	-	reserved for future use
3 to 2	TauRcv [1:0]	-	changes the time-constant of the internal PLL during data reception <b>Remark:</b> if set to 00b the PLL is frozen during data reception
1 to 0	TauSync [1:0]	-	changes the time constant of the internal PLL during burst

### 9.3.2.11 Reserved register 1Ah

Functionality is reserved for future use.

**Table 73. Reserved register (address 1Ah); reset value: 00h bit allocation**

Bit	7	6	5	4	3	2	1	0
Symbol	reserved							
Access	-							

**Table 74. Reserved register bit descriptions**

Bit	Symbol	Description
7 to 0	reserved	reserved for future use

### 9.3.2.12 Reserved register 1Bh

Functionality is reserved for future use.

**Table 75. Reserved register (address 1Bh); reset value: 00h bit allocation**

Bit	7	6	5	4	3	2	1	0
Symbol	reserved							
Access	-							

**Table 76. Reserved register bit descriptions**

Bit	Symbol	Description
7 to 0	reserved	reserved for future use

### 9.3.2.13 MfTxReg register

Controls some MIFARE communication transmit parameters.

**Table 77. MfTxReg register (address 1Ch); reset value: 62h bit allocation**

Bit	7	6	5	4	3	2	1	0
Symbol	reserved						TxWait[1:0]	
Access	-						R/W	

**Table 78. MfTxReg register bit descriptions**

Bit	Symbol	Description
7 to 2	reserved	reserved for future use
1 to 0	TxWait	defines the additional response time 7 bits are added to the value of the register bit by default

### 9.3.2.14 MfRxReg register

**Table 79. MfRxReg register (address 1Dh); reset value: 00h bit allocation**

Bit	7	6	5	4	3	2	1	0
Symbol	reserved			ParityDisable	reserved			
Access	-			R/W	-			

**Table 80. MfRxReg register bit descriptions**

Bit	Symbol	Value	Description
7 to 5	reserved	-	reserved for future use
4	ParityDisable	1	generation of the parity bit for transmission and the parity check for receiving is switched off the received parity bit is handled like a data bit
3 to 0	reserved	-	reserved for future use

### 9.3.2.15 Reserved register 1Eh

Functionality is reserved for future use.

**Table 81. Reserved register (address 1Eh); reset value: 00h bit allocation**

Bit	7	6	5	4	3	2	1	0
Symbol	reserved							
Access	-							

**Table 82. Reserved register bit descriptions**

Bit	Symbol	Description
7 to 0	reserved	reserved for future use

### 9.3.2.16 SerialSpeedReg register

Selects the speed of the serial UART interface.

**Table 83. SerialSpeedReg register (address 1Fh); reset value: EBh bit allocation**

Bit	7	6	5	4	3	2	1	0
Symbol	BR_T0[2:0]			BR_T1[4:0]				
Access	R/W			R/W				

**Table 84. SerialSpeedReg register bit descriptions**

Bit	Symbol	Description
7 to 5	BR_T0[2:0]	factor BR_T0 adjusts the transfer speed: for description, see <a href="#">Section 8.1.3.2 on page 11</a>
4 to 0	BR_T1[4:0]	factor BR_T1 adjusts the transfer speed: for description, see <a href="#">Section 8.1.3.2 on page 11</a>

### 9.3.3 Page 2: Configuration

#### 9.3.3.1 Reserved register 20h

Functionality is reserved for future use.

**Table 85. Reserved register (address 20h); reset value: 00h bit allocation**

Bit	7	6	5	4	3	2	1	0
Symbol	-							
Access	reserved							

**Table 86. Reserved register bit descriptions**

Bit	Symbol	Description
7 to 0	reserved	reserved for future use

#### 9.3.3.2 CRCResultReg registers

Shows the MSB and LSB values of the CRC calculation.

**Remark:** The CRC is split into two 8-bit registers.

**Table 87. CRCResultReg (higher bits) register (address 21h); reset value: FFh bit allocation**

Bit	7	6	5	4	3	2	1	0
Symbol	CRCResultMSB[7:0]							
Access	R							

**Table 88. CRCResultReg register higher bit descriptions**

Bit	Symbol	Description
7 to 0	CRCResultMSB [7:0]	shows the value of the CRCResultReg register's most significant byte only valid if Status1Reg register's CRCReady bit is set to logic 1

**Table 89. CRCResultReg (lower bits) register (address 22h); reset value: FFh bit allocation**

Bit	7	6	5	4	3	2	1	0
Symbol	CRCResultLSB[7:0]							
Access	R							

**Table 90. CRCResultReg register lower bit descriptions**

Bit	Symbol	Description
7 to 0	CRCResultLSB [7:0]	shows the value of the least significant byte of the CRCResultReg register only valid if Status1Reg register's CRCReady bit is set to logic 1

### 9.3.3.3 Reserved register 23h

Functionality is reserved for future use.

**Table 91. Reserved register (address 23h); reset value: 88h bit allocation**

Bit	7	6	5	4	3	2	1	0
Symbol	reserved							
Access	-							

**Table 92. Reserved register bit descriptions**

Bit	Symbol	Description
7 to 0	reserved	reserved for future use

### 9.3.3.4 ModWidthReg register

Sets the modulation width.

**Table 93. ModWidthReg register (address 24h); reset value: 26h bit allocation**

Bit	7	6	5	4	3	2	1	0
Symbol	ModWidth[7:0]							
Access	R/W							

**Table 94. ModWidthReg register bit descriptions**

Bit	Symbol	Description
7 to 0	ModWidth[7:0]	defines the width of the Miller modulation as multiples of the carrier frequency ( $\text{ModWidth} + 1 / f_{\text{clk}}$ ) the maximum value is half the bit period

### 9.3.3.5 Reserved register 25h

Functionality is reserved for future use.

**Table 95. Reserved register (address 25h); reset value: 87h bit allocation**

Bit	7	6	5	4	3	2	1	0
Symbol	reserved							
Access	-							

**Table 96. Reserved register bit descriptions**

Bit	Symbol	Description
7 to 0	reserved	reserved for future use

### 9.3.3.6 RFCfgReg register

Configures the receiver gain.

**Table 97. RFCfgReg register (address 26h); reset value: 48h bit allocation**

Bit	7	6	5	4	3	2	1	0
Symbol	reserved	RxGain[2:0]			reserved			
Access	-	R/W			-			

**Table 98. RFCfgReg register bit descriptions**

Bit	Symbol	Value	Description
7	reserved	-	reserved for future use
6 to 4	RxGain [2:0]		defines the receiver's signal voltage gain factor:
		000	18 dB
		001	23 dB
		010	18 dB
		011	23 dB
		100	33 dB
		101	38 dB
		110	43 dB
		111	48 dB
3 to 0	reserved	-	reserved for future use

### 9.3.3.7 GsNReg register

Defines the conductance of the antenna driver pins TX1 and TX2 for the n-driver when the driver is switched on.

**Table 99. GsNReg register (address 27h); reset value: 88h bit allocation**

Bit	7	6	5	4	3	2	1	0
Symbol	CWGsN[3:0]			ModGsN[3:0]				
Access	R/W			R/W				

**Table 100. GsNReg register bit descriptions**

Bit	Symbol	Description
7 to 4	CWGsn [3:0]	<p>defines the conductance of the output n-driver during periods without modulation which can be used to regulate the output power and subsequently current consumption and operating distance</p> <p><b>Remark:</b> the conductance value is binary-weighted during soft Power-down mode the highest bit is forced to logic 1 value is only used if driver TX1 or TX2 is switched on</p>
3 to 0	ModGsN [3:0]	<p>defines the conductance of the output n-driver during periods without modulation which can be used to regulate the modulation index</p> <p><b>Remark:</b> the conductance value is binary weighted during soft Power-down mode the highest bit is forced to logic 1 value is only used if driver TX1 or TX2 is switched on</p>



### 9.3.3.8 CWGsPReg register

Defines the conductance of the p-driver output during periods of no modulation.

**Table 101. CWGsPReg register (address 28h); reset value: 20h bit allocation**

Bit	7	6	5	4	3	2	1	0
Symbol	reserved		CWGsP[5:0]					
Access	-		R/W					

**Table 102. CWGsPReg register bit descriptions**

Bit	Symbol	Description
7 to 6	reserved	reserved for future use
5 to 0	CWGsP[5:0]	defines the conductance of the p-driver output which can be used to regulate the output power and subsequently current consumption and operating distance <b>Remark:</b> the conductance value is binary weighted during soft Power-down mode the highest bit is forced to logic 1

### 9.3.3.9 ModGsPReg register

Defines the conductance of the p-driver output during modulation.

**Table 103. ModGsPReg register (address 29h); reset value: 20h bit allocation**

Bit	7	6	5	4	3	2	1	0
Symbol	reserved		ModGsP[5:0]					
Access	-		R/W					

**Table 104. ModGsPReg register bit descriptions**

Bit	Symbol	Description
7 to 6	reserved	reserved for future use
5 to 0	ModGsP[5:0]	defines the conductance of the p-driver output during modulation which can be used to regulate the modulation index <b>Remark:</b> the conductance value is binary weighted during soft Power-down mode the highest bit is forced to logic 1 if the TxASKReg register's Force100ASK bit is set to logic 1 the value of ModGsP has no effect

### 9.3.3.10 TModeReg and TPrescalerReg registers

These registers define the timer settings.

**Remark:** The TPrescaler setting higher 4 bits are in the TModeReg register and the lower 8 bits are in the TPrescalerReg register.

**Table 105. TModeReg register (address 2Ah); reset value: 00h bit allocation**

Bit	7	6	5	4	3	2	1	0
Symbol	TAuto	TGated[1:0]		TAutoRestart	TPrescaler_Hi[3:0]			
Access	R/W	R/W		R/W	R/W			

**Table 106. TModeReg register bit descriptions**

Bit	Symbol	Value	Description
7	TAuto	1	timer starts automatically at the end of the transmission in all communication modes at all speeds  if the RxModeReg register's RxMultiple bit is not set, the timer stops immediately after receiving the 5th bit (1startbit, 4 databits)  if the RxMultiple bit is set to logic 1 the timer never stops, in which case the timer can be stopped by setting the ControlReg register's TStopNow bit to logic 1
		0	indicates that the timer is not influenced by the protocol
6 to 5	TGated[1:0]		internal timer is running in gated mode  <b>Remark:</b> in gated mode, the Status1Reg register's TRunning bit is logic 1 when the timer is enabled by the TModeReg register bits  this bit does not influence the gating signal
		00	non-gated mode
		01	gated by pin MFIN
		10	gated by pin AUX1
		11	-
4	TAutoRestart	1	timer automatically restarts its count-down from the 16-bit timer reload value instead of counting down to zero
		0	timer decrements to 0 and the ComlRqReg register's TimerlRq bit is set to logic 1
3 to 0	TPrescaler_Hi [3:0]	-	defines the higher 4 bits of the TPrescaler value the following formula is used to calculate $f_{timer}$ :  $f_{timer} = \frac{13.56 \times 10^6}{TPrescaler + 1}$ where 13.56 is the carrier frequency in MHz; for detailed description, see <a href="#">Section 8.5 "Timer unit"</a>

**Table 107. TPrescalerReg register (address 2Bh); reset value: 00h bit allocation**

Bit	7	6	5	4	3	2	1	0
Symbol	TPrescaler_Lo[7:0]							
Access	R/W							

**Table 108. TPrescalerReg register bit descriptions**

Bit	Symbol	Description
7 to 0	TPrescaler_Lo[7:0]	defines the lower 8 bits of the TPrescaler value the following formula is used to calculate $f_{timer}$ :  $f_{timer} = \frac{13.56 \times 10^6}{TPrescaler + 1}$ where 13.56 is the carrier frequency in MHz; for detailed description, see <a href="#">Section 8.5 "Timer unit"</a>

**9.3.3.11 TReloadReg register**

Defines the 16-bit timer reload value.

**Remark:** The reload value bits are contained in two 8-bit registers.

**Table 109. TReloadReg (higher bits) register (address 2Ch); reset value: 00h bit allocation**

Bit	7	6	5	4	3	2	1	0
Symbol	TReloadVal_Hi[7:0]							
Access	R/W							

**Table 110. TReloadReg register higher bit descriptions**

Bit	Symbol	Description
7 to 0	TReloadVal_Hi [7:0]	defines the higher 8 bits of the 16-bit timer reload value on a start event, the timer loads the timer reload value changing this register affects the timer only at the next start event

**Table 111. TReloadReg (lower bits) register (address 2Dh); reset value: 00h bit allocation**

Bit	7	6	5	4	3	2	1	0
Symbol	TReloadVal_Lo[7:0]							
Access	R/W							

**Table 112. TReloadReg register lower bit descriptions**

Bit	Symbol	Description
7 to 0	TReloadVal_Lo [7:0]	defines the lower 8 bits of the 16-bit timer reload value on a start event, the timer loads the timer reload value changing this register affects the timer only at the next start event

### 9.3.3.12 TCounterValReg register

Contains the timer value.

**Remark:** The timer value bits are contained in two 8-bit registers.

**Table 113. TCounterValReg (higher bits) register (address 2Eh); reset value: xxh bit allocation**

Bit	7	6	5	4	3	2	1	0
Symbol	TCounterVal_Hi[7:0]							
Access	R							

**Table 114. TCounterValReg register higher bit descriptions**

Bit	Symbol	Description
7 to 0	TCounterVal_Hi [7:0]	timer value higher 8 bits

**Table 115. TCounterValReg (lower bits) register (address 2Fh); reset value: xxh bit allocation**

Bit	7	6	5	4	3	2	1	0
Symbol	TCounterVal_Lo[7:0]							
Access	R							

Table 116. TCounterValReg register lower bit descriptions

Bit	Symbol	Description
7 to 0	TCounterVal_Lo [7:0]	timer value lower 8 bits

### 9.3.4 Page 3: Test

#### 9.3.4.1 Reserved register 30h

Functionality is reserved for future use.

Table 117. Reserved register (address 30h); reset value: 00h bit allocation

Bit	7	6	5	4	3	2	1	0
Symbol	reserved							
Access	-							

Table 118. Reserved register bit descriptions

Bit	Symbol	Description
7 to 0	reserved	reserved for future use

#### 9.3.4.2 TestSel1Reg register

General test signal configuration.

Table 119. TestSel1Reg register (address 31h); reset value: 00h bit allocation

Bit	7	6	5	4	3	2	1	0
Symbol	reserved					TstBusBitSel[2:0]		
Access	-					R/W		

Table 120. TestSel1Reg register bit descriptions

Bit	Symbol	Description
7 to 3	reserved	reserved for future use
2 to 0	TstBusBitSel [2:0]	selects a test bus signal which is output at pin MFOUT if AnalogSelAux2[3:0] = FFh in AnalogTestReg register, test bus signal is also output at pins AUX1 or AUX2

#### 9.3.4.3 TestSel2Reg register

General test signal configuration and PRBS control.

Table 121. TestSel2Reg register (address 32h); reset value: 00h bit allocation

Bit	7	6	5	4	3	2	1	0
Symbol	TstBusFlip	PRBS9	PRBS15	TestBusSel[4:0]				
Access	R/W	R/W	R/W	R/W				

Table 122. TestSel2Reg register bit descriptions

Bit	Symbol	Value	Description
7	TstBusFlip	1	test bus is mapped to the parallel port in the following order: TstBusBit4, TstBusBit3, TstBusBit2, TstBusBit6, TstBusBit5, TstBusBit0; see <a href="#">Section 16.1 on page 79</a>
6	PRBS9	-	starts and enables the PRBS9 sequence according to ITU-TO150 <b>Remark:</b> all relevant registers to transmit data must be configured before entering PRBS9 mode the data transmission of the defined sequence is started by the Transmit command
5	PRBS15	-	starts and enables the PRBS15 sequence according to ITU-TO150 <b>Remark:</b> all relevant registers to transmit data must be configured before entering PRBS15 mode the data transmission of the defined sequence is started by the Transmit command
4 to 0	TestBusSel [4:0]	-	selects the test bus; see <a href="#">Section 16.1 "Test signals"</a>

#### 9.3.4.4 TestPinEnReg register

Enables the test bus pin output driver.

Table 123. TestPinEnReg register (address 33h); reset value: 80h bit allocation

Bit	7	6	5	4	3	2	1	0
Symbol	RS232LineEn	TestPinEn[5:0]						reserved
Access	R/W	R/W						-

Table 124. TestPinEnReg register bit descriptions

Bit	Symbol	Value	Description
7	RS232LineEn	0	serial UART lines MX and DTRQ are disabled
6 to 1	TestPinEn [5:0]	-	enables the output driver on one of the data pins D1 to D7 which outputs a test signal <b>Example:</b> setting bit 1 to logic 1 enables pin D1 output setting bit 5 to logic 1 enables pin D5 output <b>Remark:</b> If the SPI is used, only pins D1 to D4 can be used. If the serial UART interface is used and the RS232LineEn bit is set to logic 1 only pins D1 to D4 can be used.
0	reserved	-	reserved for future use

#### 9.3.4.5 TestPinValueReg register

Defines the HIGH and LOW values for the test port D1 to D7 when it is used as I/O.

Table 125. TestPinValueReg register (address 34h); reset value: 00h bit allocation

Bit	7	6	5	4	3	2	1	0
Symbol	UseIO	TestPinValue[5:0]						reserved
Access	R/W	R/W						-

**Table 126. TestPinValueReg register bit descriptions**

Bit	Symbol	Value	Description
7	UseIO	1	enables the I/O functionality for the test port when one of the serial interfaces is used  the input/output behavior is defined by value TestPinEn[5:0] in the TestPinEnReg register  the value for the output behavior is defined by TestPinValue[5:0]
6 to 1	TestPinValue [5:0]	-	defines the value of the test port when it is used as I/O and each output must be enabled by TestPinEn[5:0] in the TestPinEnReg register  <b>Remark:</b> Reading the register indicates the status of pins D6 to D1 if the UseIO bit is set to logic 1. If the UseIO bit is set to logic 0, the value of the TestPinValueReg register is read back.
0	reserved	-	reserved for future use

### 9.3.4.6 TestBusReg register

Shows the status of the internal test bus.

**Table 127. TestBusReg register (address 35h); reset value: xxh bit allocation**

Bit	7	6	5	4	3	2	1	0
Symbol	TestBus[7:0]							
Access	R							

**Table 128. TestBusReg register bit descriptions**

Bit	Symbol	Description
7 to 0	TestBus[7:0]	shows the status of the internal test bus  the test bus is selected using the TestSel2Reg register; see <a href="#">Section 16.1 on page 79</a>

### 9.3.4.7 AutoTestReg register

Controls the digital self-test.

**Table 129. AutoTestReg register (address 36h); reset value: 40h bit allocation**

Bit	7	6	5	4	3	2	1	0
Symbol	reserved	AmpRcv	RFT		SelfTest[3:0]			
Access	-	R/W	-		R/W			

Table 130. AutoTestReg register bit descriptions

Bit	Symbol	Value	Description
7	reserved	-	reserved for production tests
6	AmpRcv	1	internal signal processing in the receiver chain is performed non-linearly which increases the operating distance in communication modes at 106 kBd <b>Remark:</b> due to non-linearity, the effect of the RxThresholdReg register's MinLevel[3:0] and the CollLevel[2:0] values is also non-linear
5 to 4	RFT	-	reserved for production tests
3 to 0	SelfTest [3:0]	-	enables the digital self test the self test can also be started by the CalcCRC command; see <a href="#">Section 10.3.1.4 on page 68</a> the self test is enabled by 1001b <b>Remark:</b> for default operation the self test must be disabled by 0000b

#### 9.3.4.8 VersionReg register

Shows the MFRC522 software version.

Table 131. VersionReg register (address 37h); reset value: xxh bit allocation

Bit	7	6	5	4	3	2	1	0
Symbol	Version[7:0]							
Access	R							

Table 132. VersionReg register bit descriptions

Bit	Symbol	Description
7 to 0	Version[7:0]	indicates current software version of the MFRC522 <b>Remark:</b> the current version of the MFRC522 is 90h or 91h

#### 9.3.4.9 AnalogTestReg register

Determines the analog output test signal at, and status of, pins AUX1 and AUX2.

Table 133. AnalogTestReg register (address 38h); reset value: 00h bit allocation

Bit	7	6	5	4	3	2	1	0
Symbol	AnalogSelAux1[3:0]				AnalogSelAux2[3:0]			
Access	R/W				R/W			

Table 134. AnalogTestReg register bit descriptions

Bit	Symbol	Value	Description
7 to 4	AnalogSelAux1 [3:0]		controls pin AUX1
		0000	3-state
		0001	output of TestDAC1 (AUX1), output of TestDAC2 (AUX2) <sup>[1]</sup>
		0010	test signal Corr1 <sup>[1]</sup>
		0011	reserved
		0100	DAC: test signal MinLevel <sup>[1]</sup>
		0101	DAC: test signal ADC_I <sup>[1]</sup>
		0110	DAC: test signal ADC_Q <sup>[1]</sup>
		0111	reserved
		1000	reserved, test signal for production test <sup>[1]</sup>
		1001	reserved
		1010	HIGH
		1011	LOW
		1100	TxActive: at 106 kBd: HIGH during Start bit, Data bit, Parity and CRC at 212 kBd: 424 kBd and 848 kBd: HIGH during data and CRC
1101	RxActive: at 106 kBd: HIGH during Data bit, Parity and CRC at 212 kBd: 424 kBd and 848 kBd: HIGH during data and CRC		
1110	subcarrier detected: 106 kBd: not applicable 212 kBd: 424 kBd and 848 kBd: HIGH during last part of data and CRC		
1111	test bus bit as defined by the TestSel1Reg register's TstBusBitSel[2:0] bits <b>Remark:</b> all test signals are described in <a href="#">Section 16.1 on page 79</a>		
3 to 0	AnalogSelAux2 [3:0]	-	controls pin AUX2 (see bit descriptions for AUX1)

[1] **Remark:** Current source output; the use of 1 kΩ pull-down resistor on AUXn is recommended.



### 9.3.4.10 TestDAC1Reg register

Defines the test value for TestDAC1.

**Table 135. TestDAC1Reg register (address 39h); reset value: xxh bit allocation**

Bit	7	6	5	4	3	2	1	0
Symbol	reserved		TestDAC1[5:0]					
Access	-		R/W					

**Table 136. TestDAC1Reg register bit descriptions**

Bit	Symbol	Description
7	reserved	reserved for production tests
6	reserved	reserved for future use
5 to 0	TestDAC1[5:0]	defines the test value for TestDAC1 output of DAC1 can be routed to AUX1 by setting value AnalogSelAux1[3:0] to 0001b in the AnalogTestReg register

### 9.3.4.11 TestDAC2Reg register

Defines the test value for TestDAC2.

**Table 137. TestDAC2Reg register (address 3Ah); reset value: xxh bit allocation**

Bit	7	6	5	4	3	2	1	0
Symbol	reserved		TestDAC2[5:0]					
Access	-		R/W					

**Table 138. TestDAC2Reg register bit descriptions**

Bit	Symbol	Description
7 to 6	reserved	reserved for future use
5 to 0	TestDAC2[5:0]	defines the test value for TestDAC2 output of DAC2 can be routed to AUX2 by setting value AnalogSelAux2[3:0] to 0001b in the AnalogTestReg register

### 9.3.4.12 TestADCReg register

Shows the values of ADC I and Q channels.

**Table 139. TestADCReg register (address 3Bh); reset value: xxh bit allocation**

Bit	7	6	5	4	3	2	1	0
Symbol	ADC_I[3:0]			ADC_Q[3:0]				
Access	R			R				

**Table 140. TestADCReg register bit descriptions**

Bit	Symbol	Description
7 to 4	ADC_I[3:0]	ADC I channel value
3 to 0	ADC_Q[3:0]	ADC Q channel value

### 9.3.4.13 Reserved register 3Ch

Functionality reserved for production test.

**Table 141. Reserved register (address 3Ch); reset value: FFh bit allocation**

Bit	7	6	5	4	3	2	1	0
Symbol					RFT			
Access					-			

**Table 142. Reserved register bit descriptions**

Bit	Symbol	Description
7 to 0	reserved	reserved for production tests

**Table 143. Reserved register (address 3Dh); reset value: 00h bit allocation**

Bit	7	6	5	4	3	2	1	0
Symbol					RFT			
Access					-			

**Table 144. Reserved register bit descriptions**

Bit	Symbol	Description
7 to 0	reserved	reserved for production tests

**Table 145. Reserved register (address 3Eh); reset value: 03h bit allocation**

Bit	7	6	5	4	3	2	1	0
Symbol					RFT			
Access					-			

**Table 146. Reserved register bit descriptions**

Bit	Symbol	Description
7 to 0	reserved	reserved for production tests

**Table 147. Reserved register (address 3Fh); reset value: 00h bit allocation**

Bit	7	6	5	4	3	2	1	0
Symbol					reserved			
Access					-			

**Table 148. Reserved register bit descriptions**

Bit	Symbol	Description
7 to 0	reserved	reserved for production tests

## 10. MFRC522 command set

### 10.1 General description

The MFRC522 operation is determined by a state machine capable of performing a set of commands. A command is executed by writing a command code (see [Table 149](#)) to the CommandReg register.

Arguments and/or data necessary to process a command are exchanged via the FIFO buffer.

### 10.2 General behavior

- Each command that needs a data bit stream (or data byte stream) as an input immediately processes any data in the FIFO buffer. An exception to this rule is the Transceive command. Using this command, transmission is started with the BitFramingReg register's StartSend bit.
- Each command that needs a certain number of arguments, starts processing only when it has received the correct number of arguments from the FIFO buffer.
- The FIFO buffer is not automatically cleared when commands start. This makes it possible to write command arguments and/or the data bytes to the FIFO buffer and then start the command.
- Each command can be interrupted by the host writing a new command code to the CommandReg register, for example, the Idle command.

### 10.3 MFRC522 command overview

**Table 149. Command overview**

Command	Command code	Action
Idle	0000	no action, cancels current command execution
Mem	0001	stores 25 bytes into the internal buffer
Generate RandomID	0010	generates a 10-byte random ID number
CalcCRC	0011	activates the CRC coprocessor or performs a self test
Transmit	0100	transmits data from the FIFO buffer
NoCmdChange	0111	no command change, can be used to modify the CommandReg register bits without affecting the command, for example, the PowerDown bit
Receive	1000	activates the receiver circuits
Transceive	1100	transmits data from FIFO buffer to antenna and automatically activates the receiver after transmission
-	1101	reserved for future use
MFAuthent	1110	performs the MIFARE standard authentication as a reader
SoftReset	1111	resets the MFRC522

### 10.3.1 MFRC522 command descriptions

#### 10.3.1.1 Idle

Places the MFRC522 in Idle mode. The Idle command also terminates itself.

#### 10.3.1.2 Mem

Transfers 25 bytes from the FIFO buffer to the internal buffer.

To read out the 25 bytes from the internal buffer the Mem command must be started with an empty FIFO buffer. In this case, the 25 bytes are transferred from the internal buffer to the FIFO.

During a hard power-down (using pin NRSTPD), the 25 bytes in the internal buffer remain unchanged and are only lost if the power supply is removed from the MFRC522.

This command automatically terminates when finished and the Idle command becomes active.

#### 10.3.1.3 Generate RandomID

This command generates a 10-byte random number which is initially stored in the internal buffer. This then overwrites the 10 bytes in the internal 25-byte buffer. This command automatically terminates when finished and the MFRC522 returns to Idle mode.

#### 10.3.1.4 CalcCRC

The FIFO buffer content is transferred to the CRC coprocessor and the CRC calculation is started. The calculation result is stored in the CRCResultReg register. The CRC calculation is not limited to a dedicated number of bytes. The calculation is not stopped when the FIFO buffer is empty during the data stream. The next byte written to the FIFO buffer is added to the calculation.

The CRC preset value is controlled by the ModeReg register's CRCPreset[1:0] bits. The value is loaded in to the CRC coprocessor when the command starts.

This command must be terminated by writing a command to the CommandReg register, such as, the Idle command.

If the AutoTestReg register's SelfTest[3:0] bits are set correctly, the MFRC522 enters Self Test mode. Starting the CalcCRC command initiates a digital self test. The result of the self test is written to the FIFO buffer.

#### 10.3.1.5 Transmit

The FIFO buffer content is immediately transmitted after starting this command. Before transmitting the FIFO buffer content, all relevant registers must be set for data transmission.

This command automatically terminates when the FIFO buffer is empty. It can be terminated by another command written to the CommandReg register.

#### 10.3.1.6 NoCmdChange

This command does not influence any running command in the CommandReg register. It can be used to manipulate any bit except the CommandReg register Command[3:0] bits, for example, the RcvOff bit or the PowerDown bit.

### 10.3.1.7 Receive

The MFRC522 activates the receiver path and waits for a data stream to be received. The correct settings must be chosen before starting this command.

This command automatically terminates when the data stream ends. This is indicated either by the end of frame pattern or by the length byte depending on the selected frame type and speed.

**Remark:** If the RxModeReg register's RxMultiple bit is set to logic 1, the Receive command will not automatically terminate. It must be terminated by starting another command in the CommandReg register.

### 10.3.1.8 Transceive

This command continuously repeats the transmission of data from the FIFO buffer and the reception of data from the RF field. The first action is transmit and after transmission the command is changed to receive a data stream.

Each transmit process must be started by setting the BitFramingReg register's StartSend bit to logic 1. This command must be cleared by writing any command to the CommandReg register.

**Remark:** If the RxModeReg register's RxMultiple bit is set to logic 1, the Transceive command never leaves the receive state because this state cannot be cancelled automatically.

### 10.3.1.9 MFAuthent

This command manages MIFARE authentication to enable a secure communication to any MIFARE Mini, MIFARE 1K and MIFARE 4K card. The following data is written to the FIFO buffer before the command can be activated:

- Authentication command code (60h, 61h)
- Block address
- Sector key byte 0
- Sector key byte 1
- Sector key byte 2
- Sector key byte 3
- Sector key byte 4
- Sector key byte 5
- Card serial number byte 0
- Card serial number byte 1
- Card serial number byte 2
- Card serial number byte 3

In total 12 bytes are written to the FIFO.

**Remark:** When the MFAuthent command is active all access to the FIFO buffer is blocked. However, if there is access to the FIFO buffer, the ErrorReg register's WrErr bit is set.

This command automatically terminates when the MIFARE card is authenticated and the Status2Reg register's MFCrypto1On bit is set to logic 1.

This command does not terminate automatically if the card does not answer, so the timer must be initialized to automatic mode. In this case, in addition to the IdleIRq bit, the TimerIRq bit can be used as the termination criteria. During authentication processing, the RxIRq bit and TxIRq bit are blocked. The Crypto1On bit is only valid after termination of the MFAuthent command, either after processing the protocol or writing Idle to the CommandReg register.

If an error occurs during authentication, the ErrorReg register's ProtocolErr bit is set to logic 1 and the Status2Reg register's Crypto1On bit is set to logic 0.

#### 10.3.1.10 SoftReset

This command performs a reset of the device. The configuration data of the internal buffer remains unchanged. All registers are set to the reset values. This command automatically terminates when finished.

**Remark:** The SerialSpeedReg register is reset and therefore the serial data rate is set to 9.6 kBd.

## 11. Limiting values

**Table 150. Limiting values**

In accordance with the Absolute Maximum Rating System (IEC 60134).

Symbol	Parameter	Conditions	Min	Max	Unit
V <sub>DDA</sub>	analog supply voltage		-0.5	+4.0	V
V <sub>DDD</sub>	digital supply voltage		-0.5	+4.0	V
V <sub>DD(PVDD)</sub>	PVDD supply voltage		-0.5	+4.0	V
V <sub>DD(TVDD)</sub>	TVDD supply voltage		-0.5	+4.0	V
V <sub>DD(SVDD)</sub>	SVDD supply voltage		-0.5	+4.0	V
V <sub>i</sub>	input voltage	all input pins except pins MFIN and RX	V <sub>SS(PVSS)</sub> - 0.5	V <sub>DD(PVDD)</sub> + 0.5	V
		pin MFIN	V <sub>SS(PVSS)</sub> - 0.5	V <sub>DD(SVDD)</sub> + 0.5	V
P <sub>tot</sub>	total power dissipation	per package; and V <sub>DDD</sub> in shortcut mode	-	200	mW
T <sub>j</sub>	junction temperature		-	100	°C
V <sub>ESD</sub>	electrostatic discharge voltage	HBM; 1500 Ω, 100 pF; JESD22-A114-B	-	2000	V
		MM; 0.75 μH, 200 pF; JESD22-A114-A	-	200	V

## 12. Recommended operating conditions

**Table 151. Operating conditions**

Symbol	Parameter	Conditions	Min	Typ	Max	Unit
V <sub>DDA</sub>	analog supply voltage	V <sub>DD(PVDD)</sub> ≤ V <sub>DDA</sub> = V <sub>DDD</sub> = V <sub>DD(TVDD)</sub> ; V <sub>SSA</sub> = V <sub>SSD</sub> = V <sub>SS(PVSS)</sub> = V <sub>SS(TVSS)</sub> = 0 V	[1][2] 2.5	3.3	3.6	V
V <sub>DDD</sub>	digital supply voltage	V <sub>DD(PVDD)</sub> ≤ V <sub>DDA</sub> = V <sub>DDD</sub> = V <sub>DD(TVDD)</sub> ; V <sub>SSA</sub> = V <sub>SSD</sub> = V <sub>SS(PVSS)</sub> = V <sub>SS(TVSS)</sub> = 0 V	[1][2] 2.5	3.3	3.6	V
V <sub>DD(TVDD)</sub>	TVDD supply voltage	V <sub>DD(PVDD)</sub> ≤ V <sub>DDA</sub> = V <sub>DDD</sub> = V <sub>DD(TVDD)</sub> ; V <sub>SSA</sub> = V <sub>SSD</sub> = V <sub>SS(PVSS)</sub> = V <sub>SS(TVSS)</sub> = 0 V	[1][2] 2.5	3.3	3.6	V
V <sub>DD(PVDD)</sub>	PVDD supply voltage	V <sub>DD(PVDD)</sub> ≤ V <sub>DDA</sub> = V <sub>DDD</sub> = V <sub>DD(TVDD)</sub> ; V <sub>SSA</sub> = V <sub>SSD</sub> = V <sub>SS(PVSS)</sub> = V <sub>SS(TVSS)</sub> = 0 V	[3] 1.6	1.8	3.6	V
V <sub>DD(SVDD)</sub>	SVDD supply voltage	V <sub>SSA</sub> = V <sub>SSD</sub> = V <sub>SS(PVSS)</sub> = V <sub>SS(TVSS)</sub> = 0 V	1.6	-	3.6	V
T <sub>amb</sub>	ambient temperature	HVQFN32	-25	-	+85	°C

[1] Supply voltages below 3 V reduce the performance (the achievable operating distance).

[2] V<sub>DDA</sub>, V<sub>DDD</sub> and V<sub>DD(TVDD)</sub> must always be the same voltage.

[3] V<sub>DD(PVDD)</sub> must always be the same or lower voltage than V<sub>DDD</sub>.

## 13. Thermal characteristics

**Table 152. Thermal characteristics**

Symbol	Parameter	Conditions	Package	Typ	Unit
R <sub>th(j-a)</sub>	thermal resistance from junction to ambient	in still air with exposed pin soldered on a 4 layer JEDEC PCB	HVQFN32	40	K/W

## 14. Characteristics

Table 153. Characteristics

Symbol	Parameter	Conditions	Min	Typ	Max	Unit
<b>Input characteristics</b>						
<b>Pins EA, I2C and NRSTPD</b>						
$I_{LI}$	input leakage current		-1	-	+1	$\mu\text{A}$
$V_{IH}$	HIGH-level input voltage		$0.7V_{DD(PVDD)}$	-	-	V
$V_{IL}$	LOW-level input voltage		-	-	$0.3V_{DD(PVDD)}$	V
<b>Pin MFIN</b>						
$I_{LI}$	input leakage current		-1	-	+1	$\mu\text{A}$
$V_{IH}$	HIGH-level input voltage		$0.7V_{DD(SVDD)}$	-	-	V
$V_{IL}$	LOW-level input voltage		-	-	$0.3V_{DD(SVDD)}$	V
<b>Pin SDA</b>						
$I_{LI}$	input leakage current		-1	-	+1	$\mu\text{A}$
$V_{IH}$	HIGH-level input voltage		$0.7V_{DD(PVDD)}$	-	-	V
$V_{IL}$	LOW-level input voltage		-	-	$0.3V_{DD(PVDD)}$	V
<b>Pin RX<sup>[1]</sup></b>						
$V_i$	input voltage		-1	-	$V_{DDA} + 1$	V
$C_i$	input capacitance	$V_{DDA} = 3\text{ V}$ ; receiver active; $V_{RX(p-p)} = 1\text{ V}$ ; 1.5 V (DC) offset	-	10	-	pF
$R_i$	input resistance	$V_{DDA} = 3\text{ V}$ ; receiver active; $V_{RX(p-p)} = 1\text{ V}$ ; 1.5 V (DC) offset	-	350	-	$\Omega$
<i>Input voltage range; see <a href="#">Figure 24</a></i>						
$V_{i(p-p)(min)}$	minimum peak-to-peak input voltage	Manchester encoded; $V_{DDA} = 3\text{ V}$	-	100	-	mV
$V_{i(p-p)(max)}$	maximum peak-to-peak input voltage	Manchester encoded; $V_{DDA} = 3\text{ V}$	-	4	-	V
<i>Input sensitivity; see <a href="#">Figure 24</a></i>						
$V_{mod}$	modulation voltage	minimum Manchester encoded; $V_{DDA} = 3\text{ V}$ ; $RxGain[2:0] = 111\text{b}$ (48 dB)	-	5	-	mV
<b>Pin OSCIN</b>						
$I_{LI}$	input leakage current		-1	-	+1	$\mu\text{A}$
$V_{IH}$	HIGH-level input voltage		$0.7V_{DDA}$	-	-	V
$V_{IL}$	LOW-level input voltage		-	-	$0.3V_{DDA}$	V
$C_i$	input capacitance	$V_{DDA} = 2.8\text{ V}$ ; DC = 0.65 V; AC = 1 V (p-p)	-	2	-	pF
<b>Input/output characteristics</b>						
<b>pins D1, D2, D3, D4, D5, D6 and D7</b>						
$I_{LI}$	input leakage current		-1	-	+1	$\mu\text{A}$
$V_{IH}$	HIGH-level input voltage		$0.7V_{DD(PVDD)}$	-	-	V
$V_{IL}$	LOW-level input voltage		-	-	$0.3V_{DD(PVDD)}$	V



**Table 153. Characteristics ...continued**

Symbol	Parameter	Conditions	Min	Typ	Max	Unit
V <sub>OH</sub>	HIGH-level output voltage	V <sub>DD(PVDD)</sub> = 3 V; I <sub>O</sub> = 4 mA	V <sub>DD(PVDD)</sub> - 0.4	-	V <sub>DD(PVDD)</sub>	V
V <sub>OL</sub>	LOW-level output voltage	V <sub>DD(PVDD)</sub> = 3 V; I <sub>O</sub> = 4 mA	V <sub>SS(PVSS)</sub>	-	V <sub>SS(PVSS)</sub> + 0.4	V
I <sub>OH</sub>	HIGH-level output current	V <sub>DD(PVDD)</sub> = 3 V	-	-	4	mA
I <sub>OL</sub>	LOW-level output current	V <sub>DD(PVDD)</sub> = 3 V	-	-	4	mA
<b>Output characteristics</b>						
<b>Pin MFOUT</b>						
V <sub>OH</sub>	HIGH-level output voltage	V <sub>DD(SVDD)</sub> = 3 V; I <sub>O</sub> = 4 mA	V <sub>DD(SVDD)</sub> - 0.4	-	V <sub>DD(SVDD)</sub>	V
V <sub>OL</sub>	LOW-level output voltage	V <sub>DD(SVDD)</sub> = 3 V; I <sub>O</sub> = 4 mA	V <sub>SS(PVSS)</sub>	-	V <sub>SS(PVSS)</sub> + 0.4	V
I <sub>OL</sub>	LOW-level output current	V <sub>DD(SVDD)</sub> = 3 V	-	-	4	mA
I <sub>OH</sub>	HIGH-level output current	V <sub>DD(SVDD)</sub> = 3 V	-	-	4	mA
<b>Pin IRQ</b>						
V <sub>OH</sub>	HIGH-level output voltage	V <sub>DD(PVDD)</sub> = 3 V; I <sub>O</sub> = 4 mA	V <sub>DD(PVDD)</sub> - 0.4	-	V <sub>DD(PVDD)</sub>	V
V <sub>OL</sub>	LOW-level output voltage	V <sub>DD(PVDD)</sub> = 3 V; I <sub>O</sub> = 4 mA	V <sub>SS(PVSS)</sub>	-	V <sub>SS(PVSS)</sub> + 0.4	V
I <sub>OL</sub>	LOW-level output current	V <sub>DD(PVDD)</sub> = 3 V	-	-	4	mA
I <sub>OH</sub>	HIGH-level output current	V <sub>DD(PVDD)</sub> = 3 V	-	-	4	mA
<b>Pins AUX1 and AUX2</b>						
V <sub>OH</sub>	HIGH-level output voltage	V <sub>DDD</sub> = 3 V; I <sub>O</sub> = 4 mA	V <sub>DDD</sub> - 0.4	-	V <sub>DDD</sub>	V
V <sub>OL</sub>	LOW-level output voltage	V <sub>DDD</sub> = 3 V; I <sub>O</sub> = 4 mA	V <sub>SS(PVSS)</sub>	-	V <sub>SS(PVSS)</sub> + 0.4	V
I <sub>OL</sub>	LOW-level output current	V <sub>DDD</sub> = 3 V	-	-	4	mA
I <sub>OH</sub>	HIGH-level output current	V <sub>DDD</sub> = 3 V	-	-	4	mA
<b>Pins TX1 and TX2</b>						
V <sub>OH</sub>	HIGH-level output voltage	V <sub>DD(TVDD)</sub> = 3 V; I <sub>DD(TVDD)</sub> = 32 mA; CWGsP[5:0] = 3Fh	V <sub>DD(TVDD)</sub> - 0.15	-	-	V
		V <sub>DD(TVDD)</sub> = 3 V; I <sub>DD(TVDD)</sub> = 80 mA; CWGsP[5:0] = 3Fh	V <sub>DD(TVDD)</sub> - 0.4	-	-	V
		V <sub>DD(TVDD)</sub> = 2.5 V; I <sub>DD(TVDD)</sub> = 32 mA; CWGsP[5:0] = 3Fh	V <sub>DD(TVDD)</sub> - 0.24	-	-	V
		V <sub>DD(TVDD)</sub> = 2.5 V; I <sub>DD(TVDD)</sub> = 80 mA; CWGsP[5:0] = 3Fh	V <sub>DD(TVDD)</sub> - 0.64	-	-	V

**Table 153. Characteristics ...continued**

Symbol	Parameter	Conditions	Min	Typ	Max	Unit	
V <sub>OL</sub>	LOW-level output voltage	V <sub>DD(TVDD)</sub> = 3 V; I <sub>DD(TVDD)</sub> = 32 mA; CWGsP[5:0] = 0Fh	-	-	0.15	V	
		V <sub>DD(TVDD)</sub> = 3 V; I <sub>DD(TVDD)</sub> = 80 mA; CWGsP[5:0] = 0Fh	-	-	0.4	V	
		V <sub>DD(TVDD)</sub> = 2.5 V; I <sub>DD(TVDD)</sub> = 32 mA; CWGsP[5:0] = 0Fh	-	-	0.24	V	
		V <sub>DD(TVDD)</sub> = 2.5 V; I <sub>DD(TVDD)</sub> = 80 mA; CWGsP[5:0] = 0Fh	-	-	0.64	V	
<b>Current consumption</b>							
I <sub>pd</sub>	power-down current	V <sub>D<sub>DA</sub></sub> = V <sub>D<sub>DD</sub></sub> = V <sub>DD(TVDD)</sub> = V <sub>DD(PVDD)</sub> = 3 V					
		hard power-down; pin NRSTPD set LOW	[2]	-	-	5	μA
		soft power-down; RF level detector on	[2]	-	-	10	μA
I <sub>DD</sub>	digital supply current	pin DVDD; V <sub>D<sub>DD</sub></sub> = 3 V	-	6.5	9	mA	
I <sub>D<sub>DA</sub></sub>	analog supply current	pin AVDD; V <sub>D<sub>DA</sub></sub> = 3 V; CommandReg register's bit RcvOff = 0	-	7	10	mA	
		pin AVDD; receiver switched off; V <sub>D<sub>DA</sub></sub> = 3 V; CommandReg register's bit RcvOff = 1	-	3	5	mA	
I <sub>DD(PVDD)</sub>	PVDD supply current	pin PVDD	[3]	-	40	mA	
I <sub>DD(TVDD)</sub>	TVDD supply current	pin TVDD; continuous wave	[4][5][6]	-	60	100	mA
I <sub>DD(SVDD)</sub>	SVDD supply current	pin SVDD	[7]	-	4	mA	
<b>Clock frequency</b>							
f <sub>clk</sub>	clock frequency		-	27.12	-	MHz	
δ <sub>clk</sub>	clock duty cycle		40	50	60	%	
t <sub>j<sub>it</sub></sub>	jitter time	RMS	-	-	10	ps	
<b>Crystal oscillator</b>							
V <sub>OH</sub>	HIGH-level output voltage	pin OSCOUT	-	1.1	-	V	
V <sub>OL</sub>	LOW-level output voltage	pin OSCOUT	-	0.2	-	V	
C <sub>i</sub>	input capacitance	pin OSCOUT	-	2	-	pF	
		pin OSCIN	-	2	-	pF	
<b>Typical input requirements</b>							
f <sub>xtal</sub>	crystal frequency		-	27.12	-	MHz	
ESR	equivalent series resistance		-	-	100	Ω	
C <sub>L</sub>	load capacitance		-	10	-	pF	
P <sub>xtal</sub>	crystal power dissipation		-	50	100	mW	

[1] The voltage on pin RX is clamped by internal diodes to pins AVSS and AVDD.

- [2]  $I_{pd}$  is the total current for all supplies.
- [3]  $I_{DD(PVDD)}$  depends on the overall load at the digital pins.
- [4]  $I_{DD(TVDD)}$  depends on  $V_{DD(TVDD)}$  and the external circuit connected to pins TX1 and TX2.
- [5] During typical circuit operation, the overall current is below 100 mA.
- [6] Typical value using a complementary driver configuration and an antenna matched to  $40 \Omega$  between pins TX1 and TX2 at 13.56 MHz.
- [7]  $I_{DD(SVDD)}$  depends on the load at pin MFOUT.

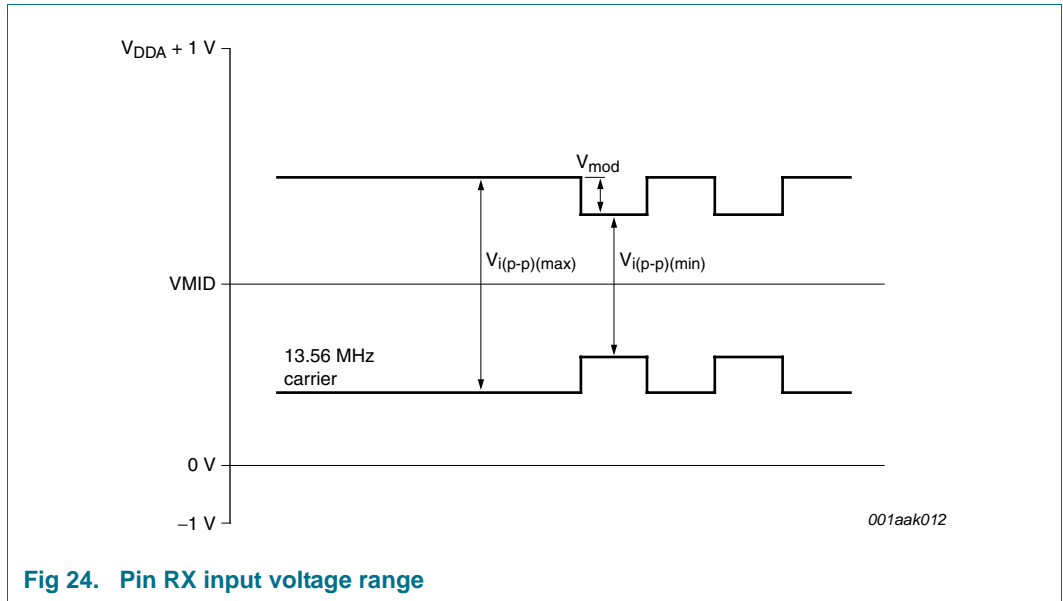


Fig 24. Pin RX input voltage range

### 14.1 Timing characteristics

Table 154. SPI timing characteristics

Symbol	Parameter	Conditions	Min	Typ	Max	Unit
$t_{WL}$	pulse width LOW	line SCK	50	-	-	ns
$t_{WH}$	pulse width HIGH	line SCK	50	-	-	ns
$t_{h(SCKH-D)}$	SCK HIGH to data input hold time	SCK to changing MOSI	25	-	-	ns
$t_{su(D-SCKH)}$	data input to SCK HIGH set-up time	changing MOSI to SCK	25	-	-	ns
$t_{h(SCKL-Q)}$	SCK LOW to data output hold time	SCK to changing MISO	-	-	25	ns
$t_{(SCKL-NSSH)}$	SCK LOW to NSS HIGH time		0	-	-	ns
$t_{NHNL}$	NSS high before communication		50	-	-	ns

Table 155. I<sup>2</sup>C-bus timing in Fast mode

Symbol	Parameter	Conditions	Fast mode		High-speed mode		Unit
			Min	Max	Min	Max	
f <sub>SCL</sub>	SCL clock frequency		0	400	0	3400	kHz
t <sub>HD;STA</sub>	hold time (repeated) START condition	after this period, the first clock pulse is generated	600	-	160	-	ns
t <sub>SU;STA</sub>	set-up time for a repeated START condition		600	-	160	-	ns
t <sub>SU;STO</sub>	set-up time for STOP condition		600	-	160	-	ns
t <sub>LOW</sub>	LOW period of the SCL clock		1300	-	160	-	ns
t <sub>HIGH</sub>	HIGH period of the SCL clock		600	-	60	-	ns
t <sub>HD;DAT</sub>	data hold time		0	900	0	70	ns
t <sub>SU;DAT</sub>	data set-up time		100	-	10	-	ns
t <sub>r</sub>	rise time	SCL signal	20	300	10	40	ns
t <sub>f</sub>	fall time	SCL signal	20	300	10	40	ns
t <sub>r</sub>	rise time	SDA and SCL signals	20	300	10	80	ns
t <sub>f</sub>	fall time	SDA and SCL signals	20	300	10	80	ns
t <sub>BUF</sub>	bus free time between a STOP and START condition		1.3	-	1.3	-	μs

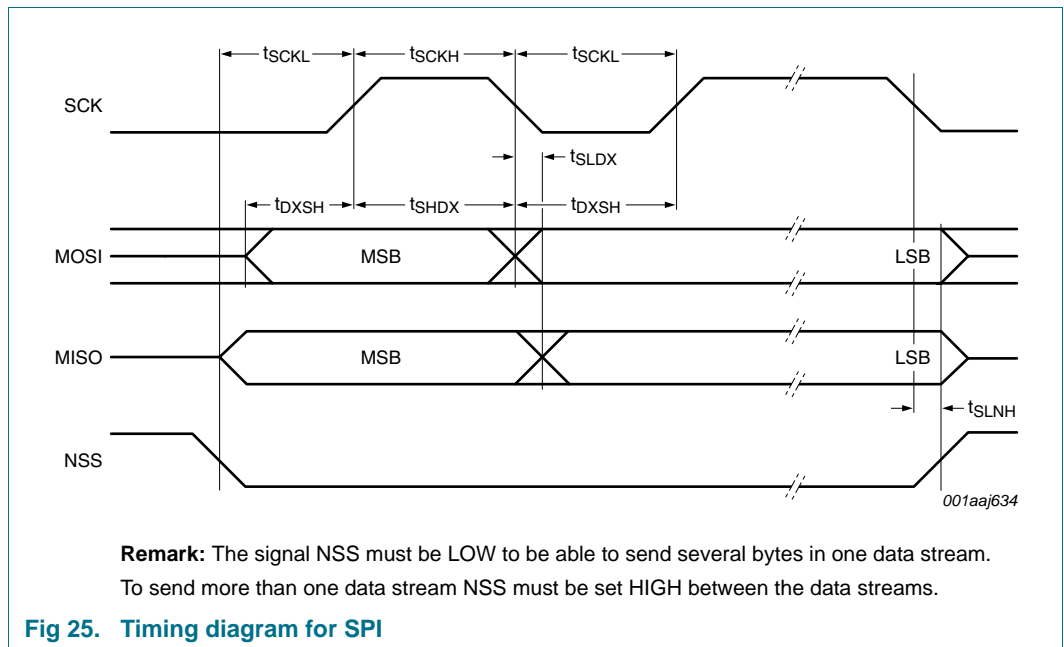


Fig 25. Timing diagram for SPI

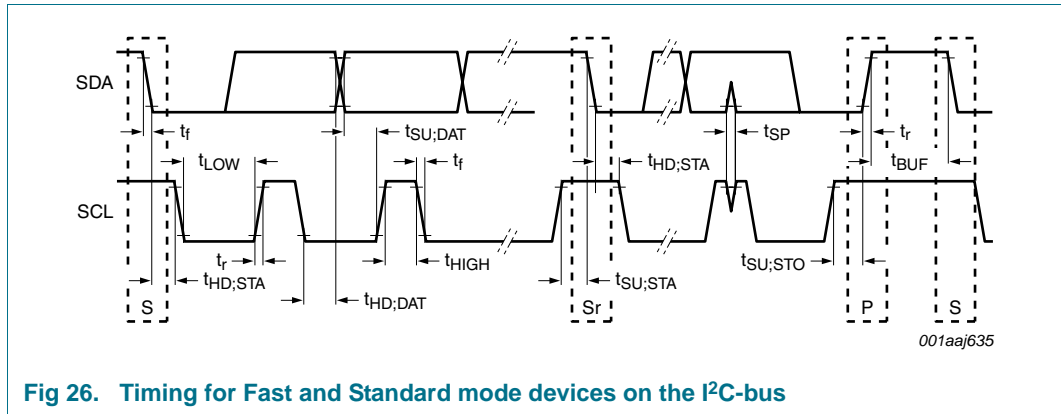
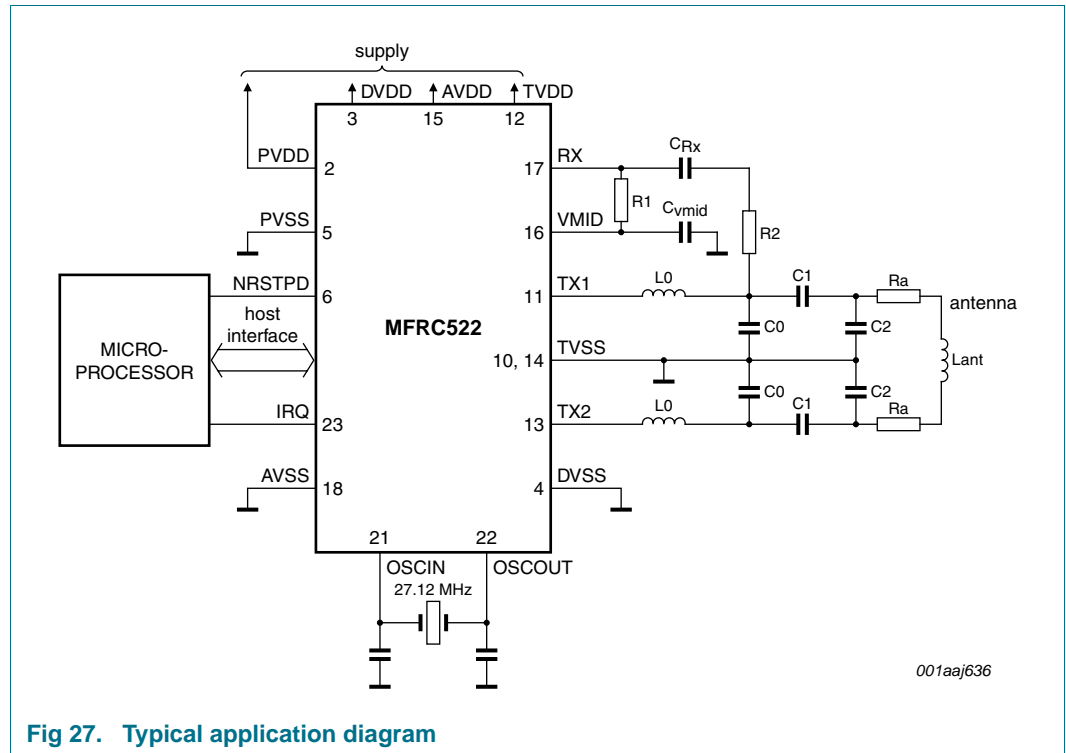


Fig 26. Timing for Fast and Standard mode devices on the I<sup>2</sup>C-bus

## 15. Application information

A typical application diagram using a complementary antenna connection to the MFRC522 is shown in [Figure 27](#).

The antenna tuning and RF part matching is described in the application note [Ref. 1](#) and [Ref. 2](#).



**Fig 27. Typical application diagram**

## 16. Test information

### 16.1 Test signals

#### 16.1.1 Self test

The MFRC522 has the capability to perform a digital self test. The self test is started by using the following procedure:

1. Perform a soft reset.
2. Clear the internal buffer by writing 25 bytes of 00h and implement the Config command.
3. Enable the self test by writing 09h to the AutoTestReg register.
4. Write 00h to the FIFO buffer.
5. Start the self test with the CalcCRC command.
6. The self test is initiated.
7. When the self test has completed, the FIFO buffer contains the following 64 bytes:

FIFO buffer byte values for version 90h:

00h, 87h, 98h, 0fh, 49h, FFh, 07h, 19h  
 BFh, 22h, 30h, 49h, 59h, 63h, ADh, CAh  
 7Fh, E3h, 4Eh, 03h, 5Ch, 4Eh, 49h, 50h  
 47h, 9Ah, 37h, 61h, E7h, E2h, C6h, 2Eh  
 75h, 5Ah, EDh, 04h, 3Dh, 02h, 4Bh, 78h  
 32h, FFh, 58h, 3Bh, 7Ch, E9h, 00h, 94h  
 B4h, 4Ah, 59h, 5Bh, FDh, U9h, 29h, DFh  
 35h, 96h, 98h, 9Eh, 4Fh, 30h, 32h, 8Dh

FIFO buffer byte values for version 91h:

00h, C6h, 37h, D5h, 32h, B7h, 57h, 5Ch  
 C2h, D8h, 7Ch, 4Dh, D9h, 70h, C7h, 73h  
 10h, E6h, D2h, AAh, 5Eh, A1h, 3Eh, 5Ah  
 14h, AFh, 30h, 61h, C9h, 70h, DBh, 2Eh  
 64h, 22h, 72h, B5h, BDh, 65h, F4h, ECh  
 22h, BCh, D3h, 72h, 35h, CDh, AAh, 41h  
 1Fh, A7h, F3h, 53h, 14h, DEh, 7Eh, 02h  
 D9h, 0Fh, B5h, 5Eh, 25h, 1Dh, 29h, 79h

#### 16.1.2 Test bus

The test bus is used for production tests. The following configuration can be used to improve the design of a system using the MFRC522. The test bus allows internal signals to be routed to the digital interface. The test bus comprises two sets of test signals which are selected using their subaddress specified in the TestSel2Reg register's TestBusSel[4:0] bits. The test signals and their related digital output pins are described in [Table 156](#) and [Table 157](#).

**Table 156. Test bus signals: TestBusSel[4:0] = 07h**

Pins	Internal signal name	Description
D6	s_data	received data stream
D5	s_coll	bit-collision detected (106 kBd only)
D4	s_valid	s_data and s_coll signals are valid
D3	s_over	receiver has detected a stop condition
D2	RCV_reset	receiver is reset
D1	-	reserved

**Table 157. Test bus signals: TestBusSel[4:0] = 0Dh**

Pins	Internal test signal name	Description
D6	clkstable	oscillator output signal
D5	clk27/8	oscillator output signal divided by 8
D4 to D3	-	reserved
D2	clk27	oscillator output signal
D1	-	reserved

### 16.1.3 Test signals on pins AUX1 or AUX2

The MFRC522 allows the user to select internal signals for measurement on pins AUX1 or AUX2. These measurements can be helpful during the design-in phase to optimize the design or used for test purposes.

[Table 158](#) shows the signals that can be switched to pin AUX1 or AUX2 by setting AnalogSelAux1[3:0] or AnalogSelAux2[3:0] in the AnalogTestReg register.

**Remark:** The DAC has a current output, therefore it is recommended that a 1 k $\Omega$  pull-down resistor is connected to pin AUX1 or AUX2.

**Table 158. Test signal descriptions**

AnalogSelAux1[3:0] or AnalogSelAux2[3:0] value	Signal on pin AUX1 or pin AUX2
0000	3-state
0001	DAC: register TestDAC1 or TestDAC2
0010	DAC: test signal Corr1
0011	reserved
0100	DAC: test signal MinLevel
0101	DAC: test signal ADC_I
0110	DAC: test signal ADC_Q
0111 to 1001	reserved
1010	HIGH
1011	LOW
1100	TxActive



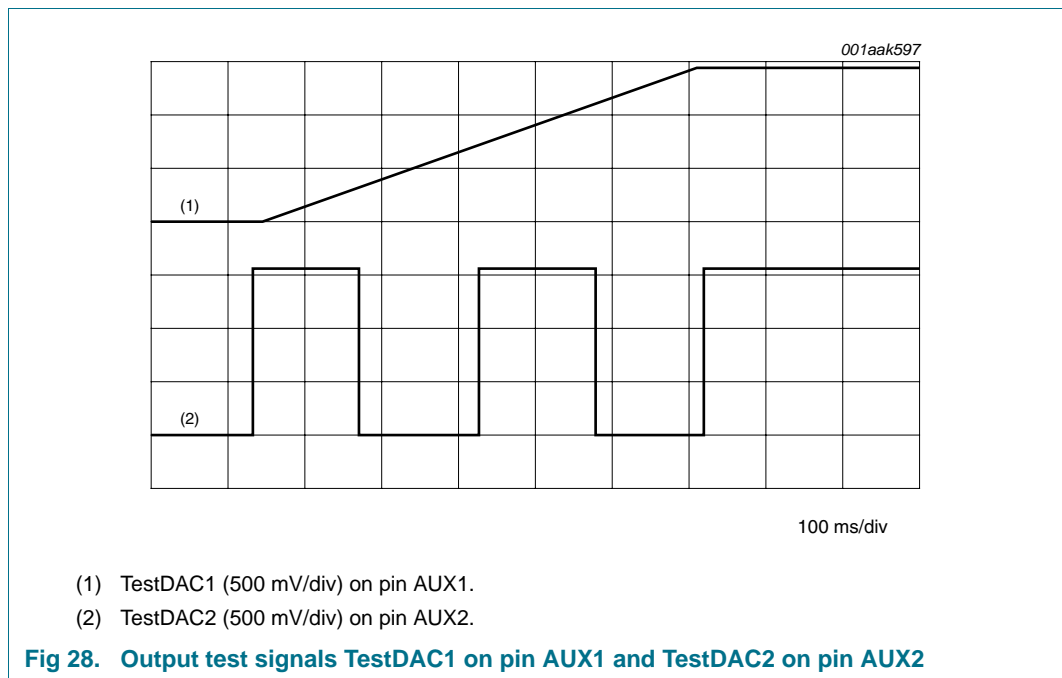
Table 158. Test signal descriptions ...continued

AnalogSelAux1[3:0] or AnalogSelAux2[3:0] value	Signal on pin AUX1 or pin AUX2
1101	RxActive
1110	subcarrier detected
1111	TstBusBit

16.1.3.1 Example: Output test signals TestDAC1 and TestDAC2

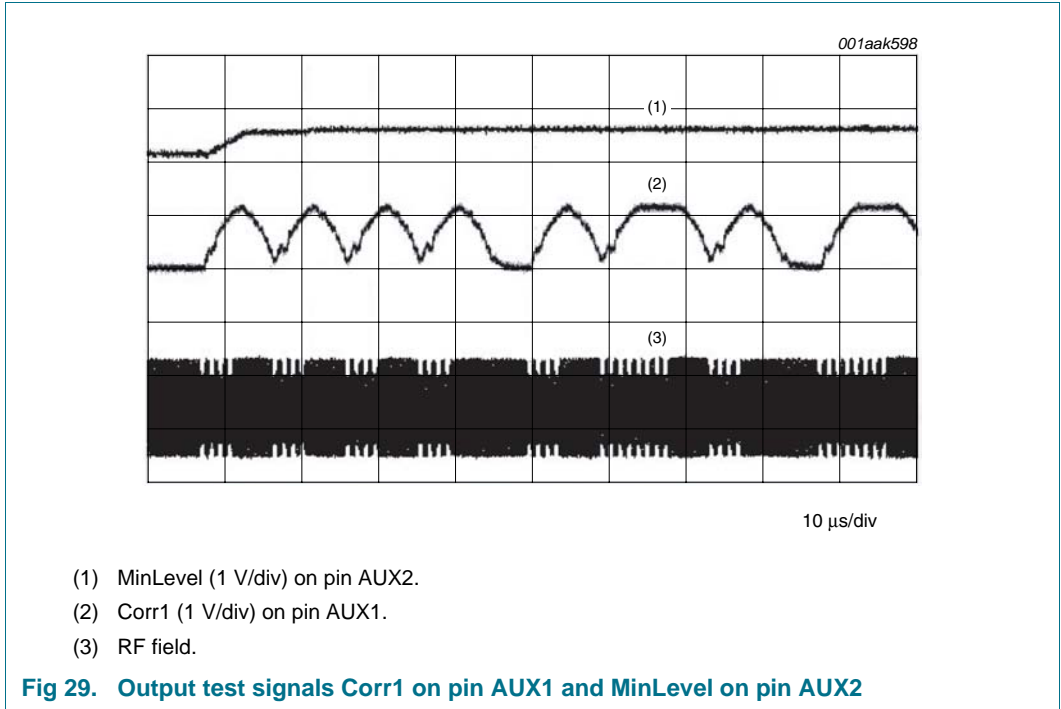
The AnalogTestReg register is set to 11h. The output on pin AUX1 has the test signal TestDAC1 and the output on pin AUX2 has the test signal TestDAC2. The signal values of TestDAC1 and TestDAC2 are controlled by the TestDAC1Reg and TestDAC2Reg registers.

Figure 28 shows test signal TestDAC1 on pin AUX1 and TestDAC2 on pin AUX2 when the TestDAC1Reg register is programmed with a slope defined by values 00h to 3Fh and the TestDAC2Reg register is programmed with a rectangular signal defined by values 00h and 3Fh.



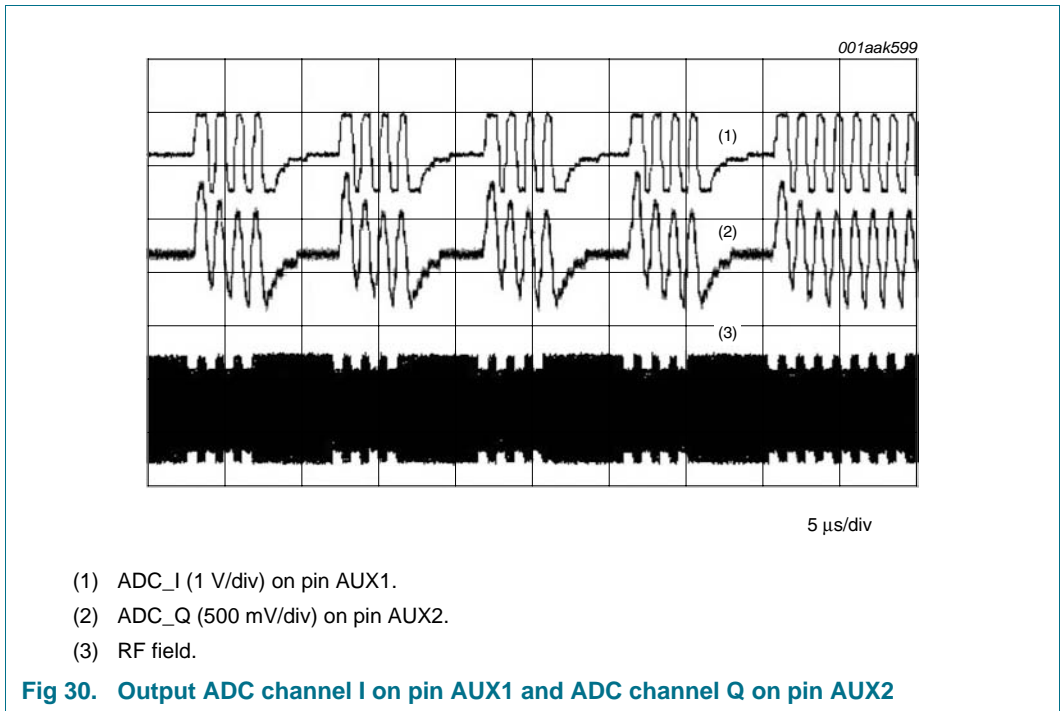
16.1.3.2 Example: Output test signals Corr1 and MinLevel

Figure 29 shows test signals Corr1 and MinLevel on pins AUX1 and AUX2, respectively. The AnalogTestReg register is set to 24h.



16.1.3.3 Example: Output test signals ADC channel I and ADC channel Q

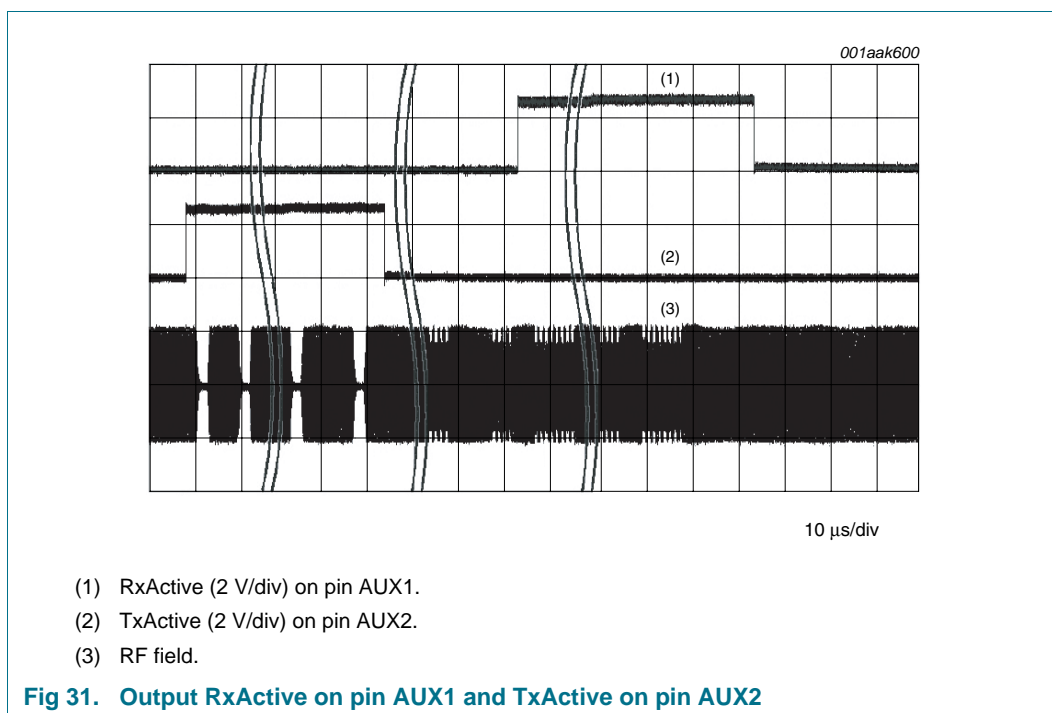
Figure 30 shows the channel behavior test signals ADC\_I and ADC\_Q on pins AUX1 and AUX2, respectively. The AnalogTestReg register is set to 56h.



16.1.3.4 Example: Output test signals RxActive and TxActive

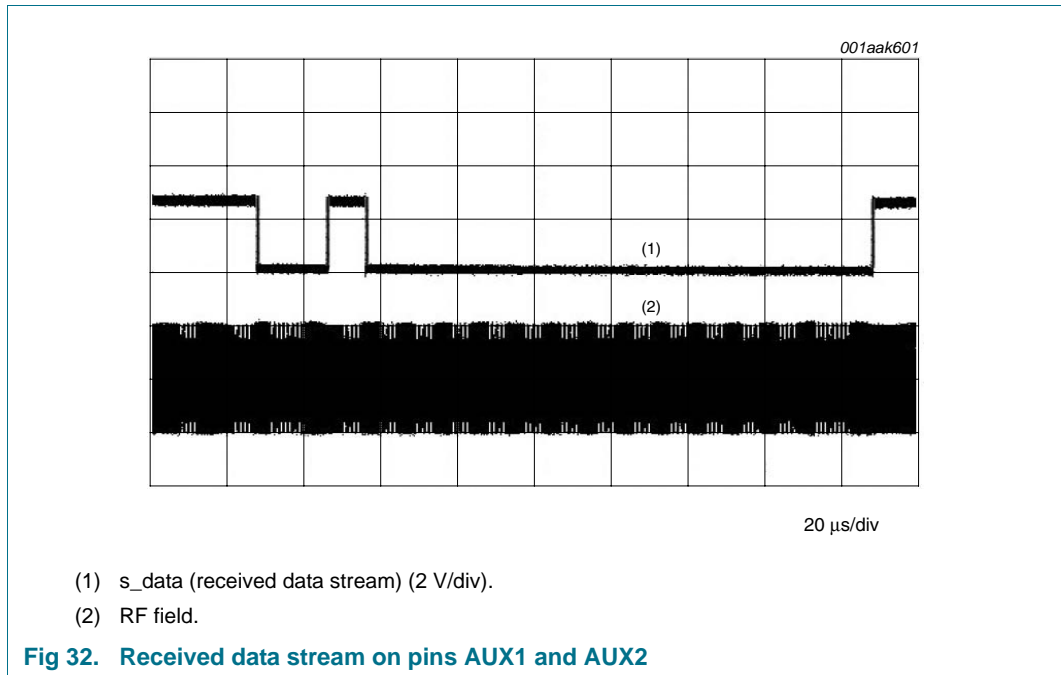
Figure 31 shows the RxActive and TxActive test signals relating to RF communication. The AnalogTestReg register is set to CDh.

- At 106 kBd, RxActive is HIGH during data bits, parity and CRC reception. Start bits are not included
- At 106 kBd, TxActive is HIGH during start bits, data bits, parity and CRC transmission
- At 212 kBd, 424 kBd and 848 kBd, RxActive is HIGH during data bits and CRC reception. Start bits are not included
- At 212 kBd, 424 kBd and 848 kBd, TxActive is HIGH during data bits and CRC transmission



16.1.3.5 Example: Output test signal RX data stream

Figure 32 shows the data stream that is currently being received. The TestSel2Reg register's TestBusSel[4:0] bits are set to 07h to enable test bus signals on pins D1 to D6; see Section 16.1.2 on page 79. The TestSel1Reg register's TstBusBitSel[2:0] bits are set 06h (pin D6 = s\_data) and AnalogTestReg register is set to FFh (TstBusBit) which outputs the received data stream on pins AUX1 and AUX2.



16.1.3.6 PRBS

The pseudo-random binary sequences PRBS9 and PRBS15 are based on ITU-TO150 and are defined with the TestSel2Reg register. Transmission of either data stream is started by the Transmit command. The preamble/sync byte/start bit/parity bit are automatically generated depending on the mode selected.

**Remark:** All relevant registers for transmitting data must be configured in accordance with ITU-TO150 before selecting PRBS transmission.

17. Package outline

HVQFN32: plastic thermal enhanced very thin quad flat package; no leads; 32 terminals; body 5 x 5 x 0.85 mm

SOT617-1

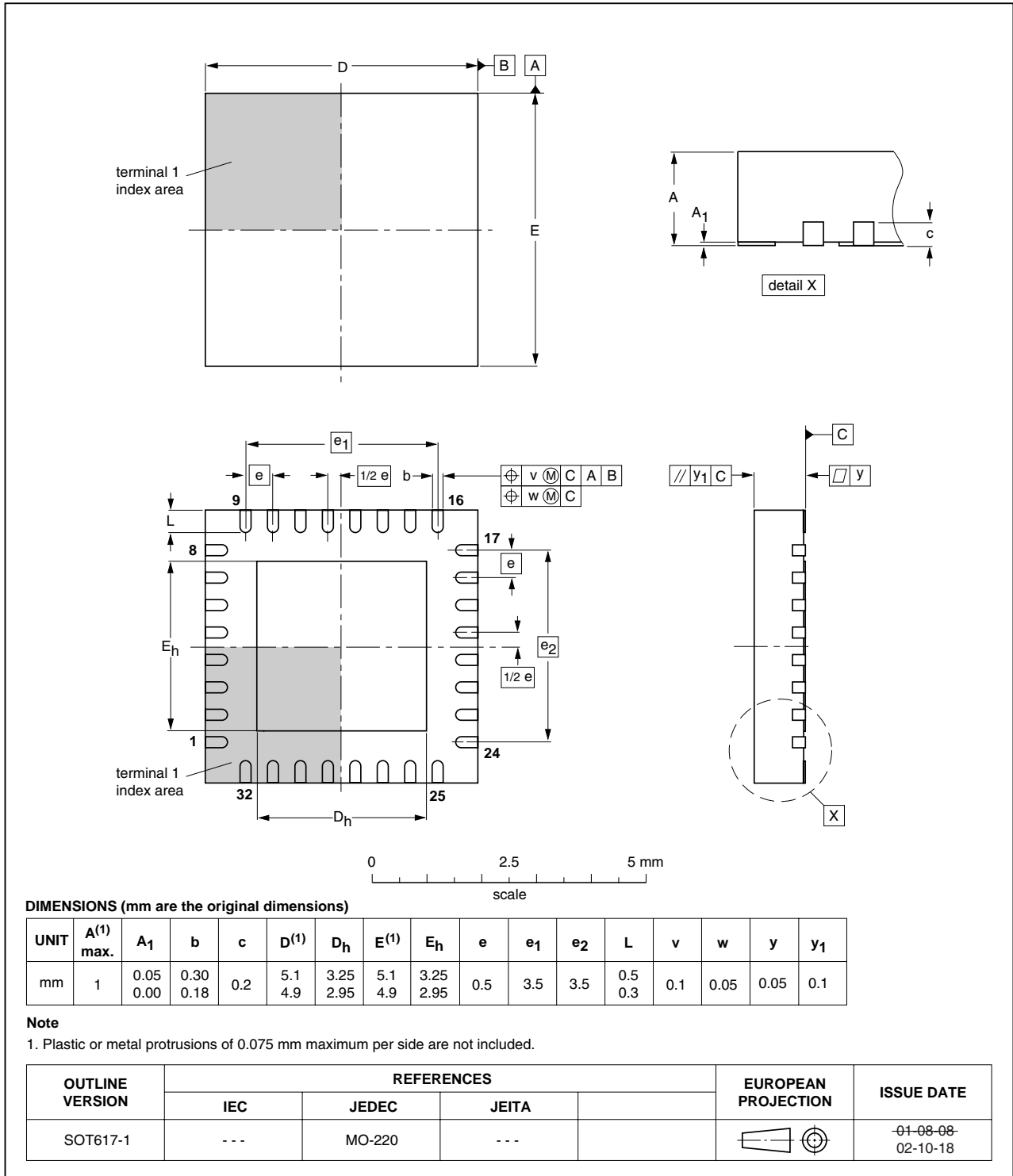


Fig 33. Package outline SOT617-1 (HVQFN32)

Detailed package information can be found at:  
<http://www.nxp.com/package/SOT617-1.html>.

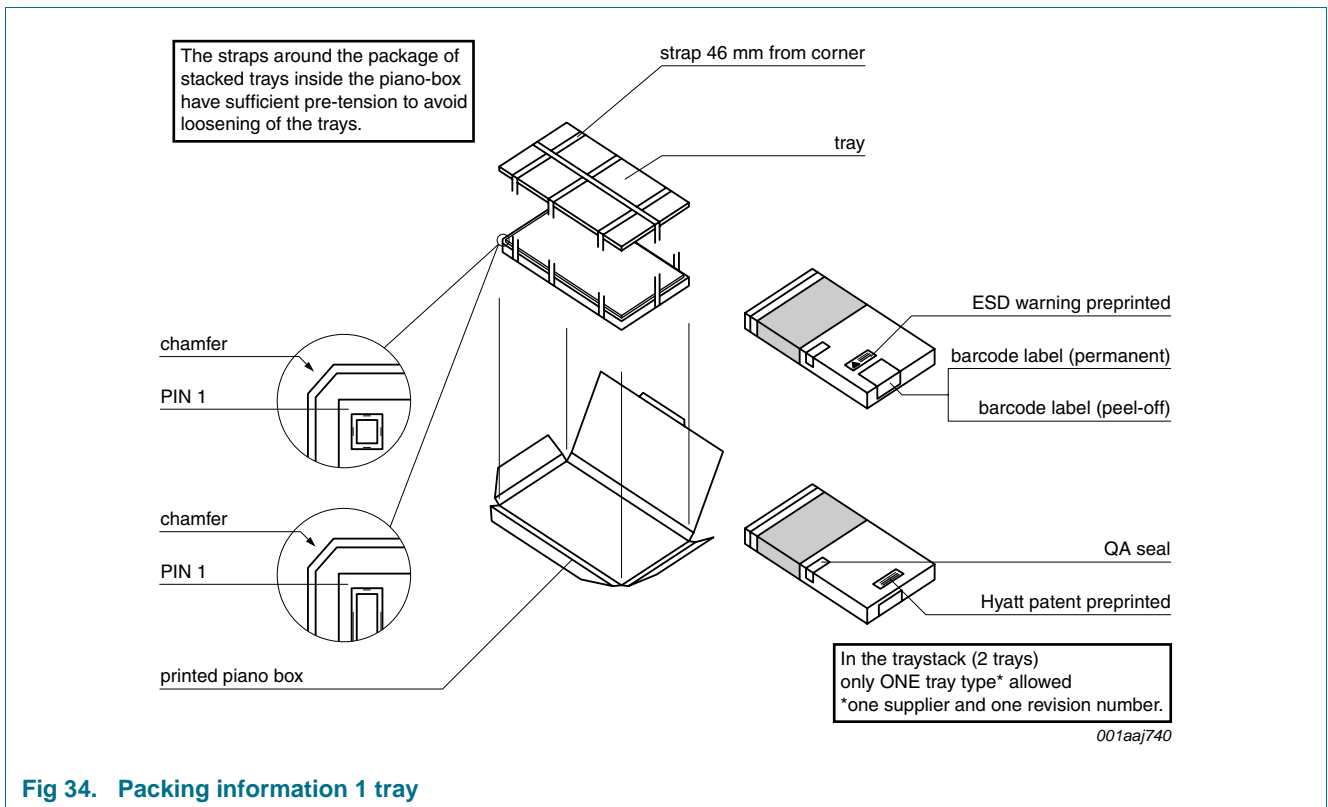
## 18. Handling information

Moisture Sensitivity Level (MSL) evaluation has been performed according to *SNW-FQ-225B rev.04/07/07 (JEDEC J-STD-020C)*. MSL for this package is level 1 which means 260 °C convection reflow temperature.

Dry pack is not required.

Unlimited out-of-pack floor life at maximum ambient 30 °C/85 % RH.

## 19. Packing information



## 20. Abbreviations

**Table 159. Abbreviations**

Acronym	Description
ADC	Analog-to-Digital Converter
BPSK	Binary Phase Shift Keying
CRC	Cyclic Redundancy Check
CW	Continuous Wave
DAC	Digital-to-Analog Converter
HBM	Human Body Model
I <sup>2</sup> C	Inter-integrated Circuit
LSB	Least Significant Bit
MISO	Master In Slave Out
MM	Machine Model
MOSI	Master Out Slave In
MSB	Most Significant Bit
NRZ	Not Return to Zero
NSS	Not Slave Select
PLL	Phase-Locked Loop
PRBS	Pseudo-Random Bit Sequence
RX	Receiver
SOF	Start Of Frame
SPI	Serial Peripheral Interface
TX	Transmitter
UART	Universal Asynchronous Receiver Transmitter

## 21. References

- [1] **Application note** — *MFRC52x Reader IC Family Directly Matched Antenna Design*
- [2] **Application note** — *MIFARE (ISO/IEC 14443 A) 13.56 MHz RFID Proximity Antennas*

## 22. Revision history

Table 160. Revision history

Document ID	Release date	Data sheet status	Change notice	Supersedes
MFRC522_34	20100305	Product data sheet		MFRC522_33
Modifications:		<ul style="list-style-type: none"> <li>• <a href="#">Section 8.5 "Timer unit"</a>: information added</li> <li>• <a href="#">Table 106 "TModeReg register bit descriptions"</a>: bit 7 updated</li> <li>• <a href="#">Table 154 "SPI timing characteristics"</a>: row added</li> </ul>		
MFRC522_33	20091026	Product data sheet	-	112132
112132	May 2007	Product data sheet	200705005F	112131
112131	September 2006	Product data sheet	-	112130
112130	December 2005	Product data sheet PUBLIC	-	112121
112121	September 2005	Product data sheet	-	112120
112120	July 2005	Preliminary data sheet	-	112110
112110	July 2005	Objective data sheet	-	112104
112104	November 2004	Objective data sheet	-	112103
112103	October 2004	Objective data sheet	-	-



## 23. Legal information

### 23.1 Data sheet status

Document status <sup>[1][2]</sup>	Product status <sup>[3]</sup>	Definition
Objective [short] data sheet	Development	This document contains data from the objective specification for product development.
Preliminary [short] data sheet	Qualification	This document contains data from the preliminary specification.
Product [short] data sheet	Production	This document contains the product specification.

[1] Please consult the most recently issued document before initiating or completing a design.

[2] The term 'short data sheet' is explained in section "Definitions".

[3] The product status of device(s) described in this document may have changed since this document was published and may differ in case of multiple devices. The latest product status information is available on the Internet at URL <http://www.nxp.com>.

### 23.2 Definitions

**Draft** — The document is a draft version only. The content is still under internal review and subject to formal approval, which may result in modifications or additions. NXP Semiconductors does not give any representations or warranties as to the accuracy or completeness of information included herein and shall have no liability for the consequences of use of such information.

**Short data sheet** — A short data sheet is an extract from a full data sheet with the same product type number(s) and title. A short data sheet is intended for quick reference only and should not be relied upon to contain detailed and full information. For detailed and full information see the relevant full data sheet, which is available on request via the local NXP Semiconductors sales office. In case of any inconsistency or conflict with the short data sheet, the full data sheet shall prevail.

**Product specification** — The information and data provided in a Product data sheet shall define the specification of the product as agreed between NXP Semiconductors and its customer, unless NXP Semiconductors and customer have explicitly agreed otherwise in writing. In no event however, shall an agreement be valid in which the NXP Semiconductors product is deemed to offer functions and qualities beyond those described in the Product data sheet.

### 23.3 Disclaimers

**Limited warranty and liability** — Information in this document is believed to be accurate and reliable. However, NXP Semiconductors does not give any representations or warranties, expressed or implied, as to the accuracy or completeness of such information and shall have no liability for the consequences of use of such information.

In no event shall NXP Semiconductors be liable for any indirect, incidental, punitive, special or consequential damages (including - without limitation - lost profits, lost savings, business interruption, costs related to the removal or replacement of any products or rework charges) whether or not such damages are based on tort (including negligence), warranty, breach of contract or any other legal theory.

Notwithstanding any damages that customer might incur for any reason whatsoever, NXP Semiconductors' aggregate and cumulative liability towards customer for the products described herein shall be limited in accordance with the *Terms and conditions of commercial sale* of NXP Semiconductors.

**Right to make changes** — NXP Semiconductors reserves the right to make changes to information published in this document, including without limitation specifications and product descriptions, at any time and without notice. This document supersedes and replaces all information supplied prior to the publication hereof.

**Suitability for use** — NXP Semiconductors products are not designed, authorized or warranted to be suitable for use in medical, military, aircraft, space or life support equipment, nor in applications where failure or

malfunction of an NXP Semiconductors product can reasonably be expected to result in personal injury, death or severe property or environmental damage. NXP Semiconductors accepts no liability for inclusion and/or use of NXP Semiconductors products in such equipment or applications and therefore such inclusion and/or use is at the customer's own risk.

**Applications** — Applications that are described herein for any of these products are for illustrative purposes only. NXP Semiconductors makes no representation or warranty that such applications will be suitable for the specified use without further testing or modification.

NXP Semiconductors does not accept any liability related to any default, damage, costs or problem which is based on a weakness or default in the customer application/use or the application/use of customer's third party customer(s) (hereinafter both referred to as "Application"). It is customer's sole responsibility to check whether the NXP Semiconductors product is suitable and fit for the Application planned. Customer has to do all necessary testing for the Application in order to avoid a default of the Application and the product. NXP Semiconductors does not accept any liability in this respect.

**Limiting values** — Stress above one or more limiting values (as defined in the Absolute Maximum Ratings System of IEC 60134) will cause permanent damage to the device. Limiting values are stress ratings only and (proper) operation of the device at these or any other conditions above those given in the Recommended operating conditions section (if present) or the Characteristics sections of this document is not warranted. Constant or repeated exposure to limiting values will permanently and irreversibly affect the quality and reliability of the device.

**Terms and conditions of commercial sale** — NXP Semiconductors products are sold subject to the general terms and conditions of commercial sale, as published at <http://www.nxp.com/profile/terms>, unless otherwise agreed in a valid written individual agreement. In case an individual agreement is concluded only the terms and conditions of the respective agreement shall apply. NXP Semiconductors hereby expressly objects to applying the customer's general terms and conditions with regard to the purchase of NXP Semiconductors products by customer.

**No offer to sell or license** — Nothing in this document may be interpreted or construed as an offer to sell products that is open for acceptance or the grant, conveyance or implication of any license under any copyrights, patents or other industrial or intellectual property rights.

**Export control** — This document as well as the item(s) described herein may be subject to export control regulations. Export might require a prior authorization from national authorities.

**Quick reference data** — The Quick reference data is an extract of the product data given in the Limiting values and Characteristics sections of this document, and as such is not complete, exhaustive or legally binding.

**Non-automotive qualified products** — Unless this data sheet expressly states that this specific NXP Semiconductors product is automotive qualified, the product is not suitable for automotive use. It is neither qualified nor tested in accordance with automotive testing or application requirements. NXP Semiconductors accepts no liability for inclusion and/or use of non-automotive qualified products in automotive equipment or applications.

In the event that customer uses the product for design-in and use in automotive applications to automotive specifications and standards, customer (a) shall use the product without NXP Semiconductors' warranty of the product for such automotive applications, use and specifications, and (b) whenever customer uses the product for automotive applications beyond NXP Semiconductors' specifications such use shall be solely at customer's own risk, and (c) customer fully indemnifies NXP Semiconductors for any liability, damages or failed product claims resulting from customer design and use of the product for automotive applications beyond NXP Semiconductors' standard warranty and NXP Semiconductors' product specifications.

## 23.4 Licenses

### Purchase of NXP ICs with ISO/IEC 14443 type B functionality



This NXP Semiconductors IC is ISO/IEC 14443 Type B software enabled and is licensed under Innovatron's Contactless Card patents license for ISO/IEC 14443 B.

The license includes the right to use the IC in systems and/or end-user equipment.

RATP/Innovatron  
Technology

## 23.5 Trademarks

Notice: All referenced brands, product names, service names and trademarks are the property of their respective owners.

**I<sup>2</sup>C-bus** — logo is a trademark of NXP B.V.

**MIFARE** — is a trademark of NXP B.V.

## 24. Contact information

For more information, please visit: <http://www.nxp.com>

For sales office addresses, please send an email to: [salesaddresses@nxp.com](mailto:salesaddresses@nxp.com)

**25. Tables**

Table 1. Quick reference data . . . . .	2	Table 37. Status2Reg register (address 08h); reset value: 00h bit allocation . . . . .	41
Table 2. Ordering information . . . . .	3	Table 38. Status2Reg register bit descriptions . . . . .	41
Table 3. Pin description . . . . .	5	Table 39. FIFODataReg register (address 09h); reset value: xxh bit allocation . . . . .	42
Table 4. Communication overview for ISO/IEC 14443 A/MIFARE reader/writer . . . . .	7	Table 40. FIFODataReg register bit descriptions . . . . .	42
Table 5. Connection protocol for detecting different interface types . . . . .	8	Table 41. FIFOLevelReg register (address 0Ah); reset value: 00h bit allocation . . . . .	42
Table 6. MOSI and MISO byte order . . . . .	9	Table 42. FIFOLevelReg register bit descriptions . . . . .	42
Table 7. MOSI and MISO byte order . . . . .	10	Table 43. WaterLevelReg register (address 0Bh); reset value: 08h bit allocation . . . . .	42
Table 8. Address byte 0 register; address MOSI . . . . .	10	Table 44. WaterLevelReg register bit descriptions . . . . .	43
Table 9. BR_T0 and BR_T1 settings . . . . .	11	Table 45. ControlReg register (address 0Ch); reset value: 10h bit allocation . . . . .	43
Table 10. Selectable UART transfer speeds . . . . .	11	Table 46. ControlReg register bit descriptions . . . . .	43
Table 11. UART framing . . . . .	12	Table 47. BitFramingReg register (address 0Dh); reset value: 00h bit allocation . . . . .	44
Table 12. Read data byte order . . . . .	12	Table 48. BitFramingReg register bit descriptions . . . . .	44
Table 13. Write data byte order . . . . .	13	Table 49. CollReg register (address 0Eh); reset value: xxh bit allocation . . . . .	44
Table 14. Address byte 0 register; address MOSI . . . . .	15	Table 50. CollReg register bit descriptions . . . . .	44
Table 15. Register and bit settings controlling the signal on pin TX1 . . . . .	23	Table 51. Reserved register (address 0Fh); reset value: 00h bit allocation . . . . .	45
Table 16. Register and bit settings controlling the signal on pin TX2 . . . . .	24	Table 52. Reserved register bit descriptions . . . . .	45
Table 17. CRC coprocessor parameters . . . . .	27	Table 53. Reserved register (address 10h); reset value: 00h bit allocation . . . . .	45
Table 18. Interrupt sources . . . . .	29	Table 54. Reserved register bit descriptions . . . . .	45
Table 19. Behavior of register bits and their designation . . . . .	33	Table 55. ModeReg register (address 11h); reset value: 3Fh bit allocation . . . . .	46
Table 20. MFRC522 register overview . . . . .	34	Table 56. ModeReg register bit descriptions . . . . .	46
Table 21. Reserved register (address 00h); reset value: 00h bit allocation . . . . .	36	Table 57. TxModeReg register (address 12h); reset value: 00h bit allocation . . . . .	46
Table 22. Reserved register bit descriptions . . . . .	36	Table 58. TxModeReg register bit descriptions . . . . .	47
Table 23. CommandReg register (address 01h); reset value: 20h bit allocation . . . . .	36	Table 59. RxModeReg register (address 13h); reset value: 00h bit allocation . . . . .	47
Table 24. CommandReg register bit descriptions . . . . .	36	Table 60. RxModeReg register bit descriptions . . . . .	47
Table 25. ComIEnReg register (address 02h); reset value: 80h bit allocation . . . . .	36	Table 61. TxControlReg register (address 14h); reset value: 80h bit allocation . . . . .	48
Table 26. ComIEnReg register bit descriptions . . . . .	37	Table 62. TxControlReg register bit descriptions . . . . .	48
Table 27. DivIEnReg register (address 03h); reset value: 00h bit allocation . . . . .	37	Table 63. TxASKReg register (address 15h); reset value: 00h bit allocation . . . . .	49
Table 28. DivIEnReg register bit descriptions . . . . .	37	Table 64. TxASKReg register bit descriptions . . . . .	49
Table 29. ComIrqReg register (address 04h); reset value: 14h bit allocation . . . . .	37	Table 65. TxSelReg register (address 16h); reset value: 10h bit allocation . . . . .	49
Table 30. ComIrqReg register bit descriptions . . . . .	38	Table 66. TxSelReg register bit descriptions . . . . .	49
Table 31. DivIrqReg register (address 05h); reset value: x0h bit allocation . . . . .	38	Table 67. RxSelReg register (address 17h); reset value: 84h bit allocation . . . . .	50
Table 32. DivIrqReg register bit descriptions . . . . .	38	Table 68. RxSelReg register bit descriptions . . . . .	50
Table 33. ErrorReg register (address 06h); reset value: 00h bit allocation . . . . .	39		
Table 34. ErrorReg register bit descriptions . . . . .	39		
Table 35. Status1Reg register (address 07h); reset value: 21h bit allocation . . . . .	40		
Table 36. Status1Reg register bit descriptions . . . . .	40		

continued >>

Table 69. RxThresholdReg register (address 18h); reset value: 84h bit allocation . . . . .	51	reset value: 20h bit allocation . . . . .	57
Table 70. RxThresholdReg register bit descriptions . . . . .	51	Table 102. CWGsPReg register bit descriptions . . . . .	57
Table 71. DemodReg register (address 19h); reset value: 4Dh bit allocation . . . . .	51	Table 103. ModGsPReg register (address 29h); reset value: 20h bit allocation . . . . .	57
Table 72. DemodReg register bit descriptions . . . . .	51	Table 104. ModGsPReg register bit descriptions . . . . .	57
Table 73. Reserved register (address 1Ah); reset value: 00h bit allocation . . . . .	52	Table 105. TModeReg register (address 2Ah); reset value: 00h bit allocation . . . . .	57
Table 74. Reserved register bit descriptions . . . . .	52	Table 106. TModeReg register bit descriptions . . . . .	58
Table 75. Reserved register (address 1Bh); reset value: 00h bit allocation . . . . .	52	Table 107. TPrescalerReg register (address 2Bh); reset value: 00h bit allocation . . . . .	58
Table 76. Reserved register bit descriptions . . . . .	52	Table 108. TPrescalerReg register bit descriptions . . . . .	58
Table 77. MfTxReg register (address 1Ch); reset value: 62h bit allocation . . . . .	52	Table 109. TReloadReg (higher bits) register (address 2Ch); reset value: 00h bit allocation . . . . .	59
Table 78. MfTxReg register bit descriptions . . . . .	52	Table 110. TReloadReg register higher bit descriptions . . . . .	59
Table 79. MfRxReg register (address 1Dh); reset value: 00h bit allocation . . . . .	53	Table 111. TReloadReg (lower bits) register (address 2Dh); reset value: 00h bit allocation . . . . .	59
Table 80. MfRxReg register bit descriptions . . . . .	53	Table 112. TReloadReg register lower bit descriptions . . . . .	59
Table 81. Reserved register (address 1Eh); reset value: 00h bit allocation . . . . .	53	Table 113. TCounterValReg (higher bits) register (address 2Eh); reset value: xxh bit allocation . . . . .	59
Table 82. Reserved register bit descriptions . . . . .	53	Table 114. TCounterValReg register higher bit descriptions . . . . .	59
Table 83. SerialSpeedReg register (address 1Fh); reset value: EBh bit allocation . . . . .	53	Table 115. TCounterValReg (lower bits) register (address 2Fh); reset value: xxh bit allocation . . . . .	59
Table 84. SerialSpeedReg register bit descriptions . . . . .	53	Table 116. TCounterValReg register lower bit descriptions . . . . .	60
Table 85. Reserved register (address 20h); reset value: 00h bit allocation . . . . .	54	Table 117. Reserved register (address 30h); reset value: 00h bit allocation . . . . .	60
Table 86. Reserved register bit descriptions . . . . .	54	Table 118. Reserved register bit descriptions . . . . .	60
Table 87. CRCResultReg (higher bits) register (address 21h); reset value: FFh bit allocation . . . . .	54	Table 119. TestSel1Reg register (address 31h); reset value: 00h bit allocation . . . . .	60
Table 88. CRCResultReg register higher bit descriptions	54	Table 120. TestSel1Reg register bit descriptions . . . . .	60
Table 89. CRCResultReg (lower bits) register (address 22h); reset value: FFh bit allocation . . . . .	54	Table 121. TestSel2Reg register (address 32h); reset value: 00h bit allocation . . . . .	60
Table 90. CRCResultReg register lower bit descriptions . . . . .	54	Table 122. TestSel2Reg register bit descriptions . . . . .	61
Table 91. Reserved register (address 23h); reset value: 88h bit allocation . . . . .	55	Table 123. TestPinEnReg register (address 33h); reset value: 80h bit allocation . . . . .	61
Table 92. Reserved register bit descriptions . . . . .	55	Table 124. TestPinEnReg register bit descriptions . . . . .	61
Table 93. ModWidthReg register (address 24h); reset value: 26h bit allocation . . . . .	55	Table 125. TestPinValueReg register (address 34h); reset value: 00h bit allocation . . . . .	61
Table 94. ModWidthReg register bit descriptions . . . . .	55	Table 126. TestPinValueReg register bit descriptions . . . . .	62
Table 95. Reserved register (address 25h); reset value: 87h bit allocation . . . . .	55	Table 127. TestBusReg register (address 35h); reset value: xxh bit allocation . . . . .	62
Table 96. Reserved register bit descriptions . . . . .	55	Table 128. TestBusReg register bit descriptions . . . . .	62
Table 97. RFCfgReg register (address 26h); reset value: 48h bit allocation . . . . .	56	Table 129. AutoTestReg register (address 36h); reset value: 40h bit allocation . . . . .	62
Table 98. RFCfgReg register bit descriptions . . . . .	56	Table 130. AutoTestReg register bit descriptions . . . . .	63
Table 99. GsNReg register (address 27h); reset value: 88h bit allocation . . . . .	56	Table 131. VersionReg register (address 37h); reset value: xxh bit allocation . . . . .	63
Table 100. GsNReg register bit descriptions . . . . .	56	Table 132. VersionReg register bit descriptions . . . . .	63
Table 101. CWGsPReg register (address 28h); reset value: 20h bit allocation . . . . .	57	Table 133. AnalogTestReg register (address 38h); reset value: 00h bit allocation . . . . .	63

continued >>

Table 134. AnalogTestReg register bit descriptions . . . . .64

Table 135. TestDAC1Reg register (address 39h);  
reset value: xxh bit allocation . . . . .65

Table 136. TestDAC1Reg register bit descriptions . . . . .65

Table 137. TestDAC2Reg register (address 3Ah);  
reset value: xxh bit allocation . . . . .65

Table 138. TestDAC2Reg register bit descriptions . . . . .65

Table 139. TestADCReg register (address 3Bh);  
reset value: xxh bit allocation . . . . .65

Table 140. TestADCReg register bit descriptions . . . . .65

Table 141. Reserved register (address 3Ch);  
reset value: FFh bit allocation . . . . .66

Table 142. Reserved register bit descriptions . . . . .66

Table 143. Reserved register (address 3Dh);  
reset value: 00h bit allocation . . . . .66

Table 144. Reserved register bit descriptions . . . . .66

Table 145. Reserved register (address 3Eh);  
reset value: 03h bit allocation . . . . .66

Table 146. Reserved register bit descriptions . . . . .66

Table 147. Reserved register (address 3Fh);  
reset value: 00h bit allocation . . . . .66

Table 148. Reserved register bit descriptions . . . . .66

Table 149. Command overview . . . . .67

Table 150. Limiting values . . . . .71

Table 151. Operating conditions . . . . .71

Table 152. Thermal characteristics . . . . .71

Table 153. Characteristics . . . . .72

Table 154. SPI timing characteristics . . . . .75

Table 155. I<sup>2</sup>C-bus timing in Fast mode . . . . .76

Table 156. Test bus signals: TestBusSel[4:0] = 07h . . . . .80

Table 157. Test bus signals: TestBusSel[4:0] = 0Dh . . . . .80

Table 158. Test signal descriptions . . . . .80

Table 159. Abbreviations . . . . .87

Table 160. Revision history . . . . .88

## 26. Figures

Fig 1.	Simplified block diagram of the MFRC522. . . . .	3
Fig 2.	Detailed block diagram of the MFRC522. . . . .	4
Fig 3.	Pinning configuration HVQFN32 (SOT617-1) . . . .	5
Fig 4.	MFRC522 Read/Write mode . . . . .	7
Fig 5.	ISO/IEC 14443 A/MIFARE Read/Write mode communication diagram. . . . .	7
Fig 6.	Data coding and framing according to ISO/IEC 14443 A . . . . .	8
Fig 7.	SPI connection to host. . . . .	9
Fig 8.	UART connection to microcontrollers . . . . .	10
Fig 9.	UART read data timing diagram . . . . .	12
Fig 10.	UART write data timing diagram . . . . .	14
Fig 11.	I <sup>2</sup> C-bus interface . . . . .	15
Fig 12.	Bit transfer on the I <sup>2</sup> C-bus . . . . .	16
Fig 13.	START and STOP conditions . . . . .	16
Fig 14.	Acknowledge on the I <sup>2</sup> C-bus . . . . .	17
Fig 15.	Data transfer on the I <sup>2</sup> C-bus . . . . .	17
Fig 16.	First byte following the START procedure . . . . .	18
Fig 17.	Register read and write access . . . . .	19
Fig 18.	I <sup>2</sup> C-bus HS mode protocol switch . . . . .	20
Fig 19.	I <sup>2</sup> C-bus HS mode protocol frame. . . . .	21
Fig 20.	Serial data switch for p-driver TX1 and TX2 . . . .	25
Fig 21.	Overview of MFIN and MFOUT signal routing. . . .	26
Fig 22.	Quartz crystal connection . . . . .	31
Fig 23.	Oscillator start-up time. . . . .	32
Fig 24.	Pin RX input voltage range . . . . .	75
Fig 25.	Timing diagram for SPI . . . . .	76
Fig 26.	Timing for Fast and Standard mode devices on the I <sup>2</sup> C-bus . . . . .	77
Fig 27.	Typical application diagram . . . . .	78
Fig 28.	Output test signals TestDAC1 on pin AUX1 and TestDAC2 on pin AUX2 . . . . .	81
Fig 29.	Output test signals Corr1 on pin AUX1 and MinLevel on pin AUX2 . . . . .	82
Fig 30.	Output ADC channel I on pin AUX1 and ADC channel Q on pin AUX2. . . . .	82
Fig 31.	Output RxActive on pin AUX1 and TxActive on pin AUX2. . . . .	83
Fig 32.	Received data stream on pins AUX1 and AUX2 . . . . .	84
Fig 33.	Package outline SOT617-1 (HVQFN32) . . . . .	85
Fig 34.	Packing information 1 tray . . . . .	86

## 27. Contents

<b>1</b>	<b>Introduction</b> .....	<b>1</b>	8.6.2	Soft power-down mode .....	31
<b>2</b>	<b>General description</b> .....	<b>1</b>	8.6.3	Transmitter power-down mode .....	31
<b>3</b>	<b>Features and benefits</b> .....	<b>1</b>	8.7	Oscillator circuit .....	31
<b>4</b>	<b>Quick reference data</b> .....	<b>2</b>	8.8	Reset and oscillator start-up time .....	32
<b>5</b>	<b>Ordering information</b> .....	<b>3</b>	8.8.1	Reset timing requirements .....	32
<b>6</b>	<b>Block diagram</b> .....	<b>3</b>	8.8.2	Oscillator start-up time .....	32
<b>7</b>	<b>Pinning information</b> .....	<b>5</b>	<b>9</b>	<b>MFRC522 registers</b> .....	<b>33</b>
7.1	Pin description .....	5	9.1	Register bit behavior .....	33
<b>8</b>	<b>Functional description</b> .....	<b>7</b>	9.2	Register overview .....	34
8.1	Digital interfaces .....	8	9.3	Register descriptions .....	36
8.1.1	Automatic microcontroller interface detection ..	8	9.3.1	Page 0: Command and status .....	36
8.1.2	Serial Peripheral Interface .....	9	9.3.1.1	Reserved register 00h .....	36
8.1.2.1	SPI read data .....	9	9.3.1.2	CommandReg register .....	36
8.1.2.2	SPI write data .....	10	9.3.1.3	ComlEnReg register .....	36
8.1.2.3	SPI address byte .....	10	9.3.1.4	DivlEnReg register .....	37
8.1.3	UART interface .....	10	9.3.1.5	ComlRqReg register .....	37
8.1.3.1	Connection to a host .....	10	9.3.1.6	DivlRqReg register .....	38
8.1.3.2	Selectable UART transfer speeds .....	11	9.3.1.7	ErrorReg register .....	39
8.1.3.3	UART framing .....	12	9.3.1.8	Status1Reg register .....	40
8.1.4	I <sup>2</sup> C-bus interface .....	15	9.3.1.9	Status2Reg register .....	41
8.1.4.1	Data validity .....	16	9.3.1.10	FIFODataReg register .....	42
8.1.4.2	START and STOP conditions .....	16	9.3.1.11	FIFOLevelReg register .....	42
8.1.4.3	Byte format .....	16	9.3.1.12	WaterLevelReg register .....	42
8.1.4.4	Acknowledge .....	17	9.3.1.13	ControlReg register .....	43
8.1.4.5	7-Bit addressing .....	18	9.3.1.14	BitFramingReg register .....	44
8.1.4.6	Register write access .....	18	9.3.1.15	CollReg register .....	44
8.1.4.7	Register read access .....	19	9.3.1.16	Reserved register 0Fh .....	45
8.1.4.8	High-speed mode .....	20	9.3.2	Page 1: Communication .....	45
8.1.4.9	High-speed transfer .....	20	9.3.2.1	Reserved register 10h .....	45
8.1.4.10	Serial data transfer format in HS mode .....	20	9.3.2.2	ModeReg register .....	46
8.1.4.11	Switching between F/S mode and HS mode ..	22	9.3.2.3	TxModeReg register .....	46
8.1.4.12	MFRC522 at lower speed modes .....	22	9.3.2.4	RxModeReg register .....	47
8.2	Analog interface and contactless UART .....	23	9.3.2.5	TxControlReg register .....	48
8.2.1	General .....	23	9.3.2.6	TxASKReg register .....	49
8.2.2	TX p-driver .....	23	9.3.2.7	TxSelReg register .....	49
8.2.3	Serial data switch .....	25	9.3.2.8	RxSelReg register .....	50
8.2.4	MFIN and MFOUT interface support .....	25	9.3.2.9	RxThresholdReg register .....	51
8.2.5	CRC coprocessor .....	27	9.3.2.10	DemodReg register .....	51
8.3	FIFO buffer .....	27	9.3.2.11	Reserved register 1Ah .....	51
8.3.1	Accessing the FIFO buffer .....	27	9.3.2.12	Reserved register 1Bh .....	52
8.3.2	Controlling the FIFO buffer .....	27	9.3.2.13	MfTxReg register .....	52
8.3.3	FIFO buffer status information .....	27	9.3.2.14	MfRxReg register .....	53
8.4	Interrupt request system .....	28	9.3.2.15	Reserved register 1Eh .....	53
8.4.1	Interrupt sources overview .....	28	9.3.2.16	SerialSpeedReg register .....	53
8.5	Timer unit .....	29	9.3.3	Page 2: Configuration .....	54
8.6	Power reduction modes .....	31	9.3.3.1	Reserved register 20h .....	54
8.6.1	Hard power-down .....	31	9.3.3.2	CRCResultReg registers .....	54
			9.3.3.3	Reserved register 23h .....	55

continued >>

9.3.3.4	ModWidthReg register	55	16.1.3.1	Example: Output test signals TestDAC1 and TestDAC2	81
9.3.3.5	Reserved register 25h	55	16.1.3.2	Example: Output test signals Corr1 and MinLevel	81
9.3.3.6	RFCfgReg register	56	16.1.3.3	Example: Output test signals ADC channel I and ADC channel Q	82
9.3.3.7	GsNReg register	56	16.1.3.4	Example: Output test signals RxActive and TxActive	83
9.3.3.8	CWGsPReg register	57	16.1.3.5	Example: Output test signal RX data stream	84
9.3.3.9	ModGsPReg register	57	16.1.3.6	PRBS	84
9.3.3.10	TModeReg and TPrescalerReg registers	57	<b>17</b>	<b>Package outline</b>	<b>85</b>
9.3.3.11	TReloadReg register	58	<b>18</b>	<b>Handling information</b>	<b>86</b>
9.3.3.12	TCounterValReg register	59	<b>19</b>	<b>Packing information</b>	<b>86</b>
9.3.4	Page 3: Test	60	<b>20</b>	<b>Abbreviations</b>	<b>87</b>
9.3.4.1	Reserved register 30h	60	<b>21</b>	<b>References</b>	<b>87</b>
9.3.4.2	TestSel1Reg register	60	<b>22</b>	<b>Revision history</b>	<b>88</b>
9.3.4.3	TestSel2Reg register	60	<b>23</b>	<b>Legal information</b>	<b>89</b>
9.3.4.4	TestPinEnReg register	61	23.1	Data sheet status	89
9.3.4.5	TestPinValueReg register	61	23.2	Definitions	89
9.3.4.6	TestBusReg register	62	23.3	Disclaimers	89
9.3.4.7	AutoTestReg register	62	23.4	Licenses	90
9.3.4.8	VersionReg register	63	23.5	Trademarks	90
9.3.4.9	AnalogTestReg register	63	<b>24</b>	<b>Contact information</b>	<b>90</b>
9.3.4.10	TestDAC1Reg register	65	<b>25</b>	<b>Tables</b>	<b>91</b>
9.3.4.11	TestDAC2Reg register	65	<b>26</b>	<b>Figures</b>	<b>94</b>
9.3.4.12	TestADCReg register	65	<b>27</b>	<b>Contents</b>	<b>95</b>
9.3.4.13	Reserved register 3Ch	65			
<b>10</b>	<b>MFRC522 command set</b>	<b>67</b>			
10.1	General description	67			
10.2	General behavior	67			
10.3	MFRC522 command overview	67			
10.3.1	MFRC522 command descriptions	68			
10.3.1.1	Idle	68			
10.3.1.2	Mem	68			
10.3.1.3	Generate RandomID	68			
10.3.1.4	CalcCRC	68			
10.3.1.5	Transmit	68			
10.3.1.6	NoCmdChange	68			
10.3.1.7	Receive	69			
10.3.1.8	Transceive	69			
10.3.1.9	MFAuthent	69			
10.3.1.10	SoftReset	70			
<b>11</b>	<b>Limiting values</b>	<b>71</b>			
<b>12</b>	<b>Recommended operating conditions</b>	<b>71</b>			
<b>13</b>	<b>Thermal characteristics</b>	<b>71</b>			
<b>14</b>	<b>Characteristics</b>	<b>72</b>			
14.1	Timing characteristics	75			
<b>15</b>	<b>Application information</b>	<b>78</b>			
<b>16</b>	<b>Test information</b>	<b>79</b>			
16.1	Test signals	79			
16.1.1	Self test	79			
16.1.2	Test bus	79			
16.1.3	Test signals on pins AUX1 or AUX2	80			

Please be aware that important notices concerning this document and the product(s) described herein, have been included in section 'Legal information'.

© NXP B.V. 2010. All rights reserved.

For more information, please visit: <http://www.nxp.com>  
 For sales office addresses, please send an email to: [salesaddresses@nxp.com](mailto:salesaddresses@nxp.com)

Date of release: 5 March 2010  
 112134